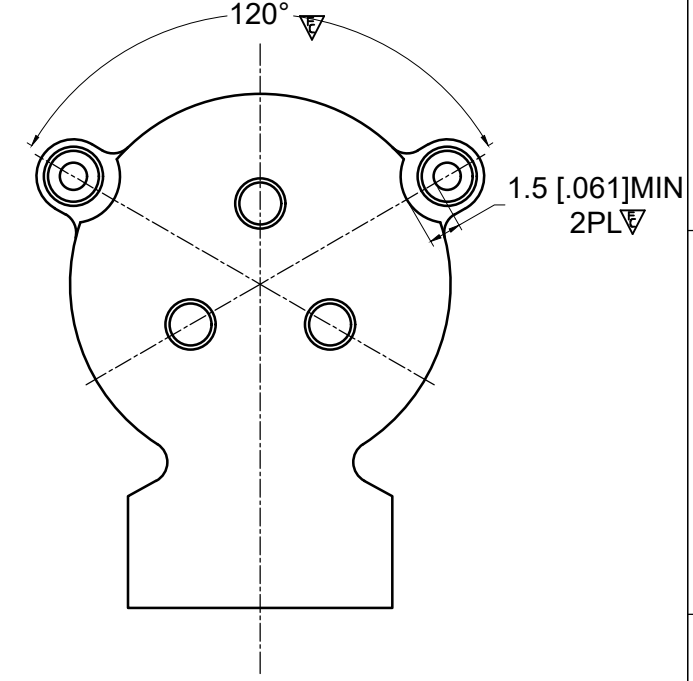
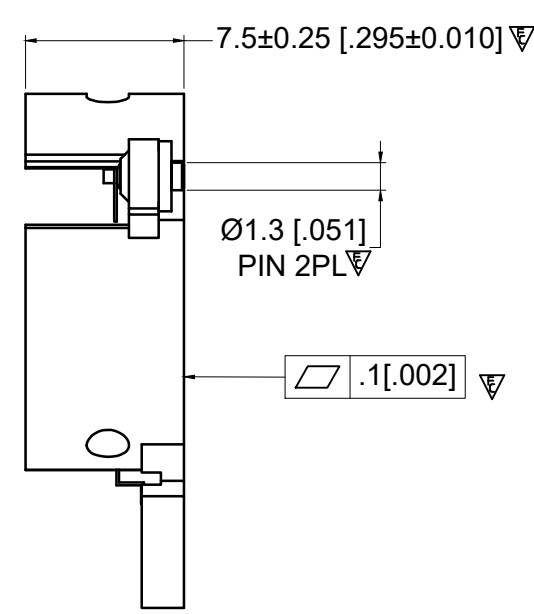
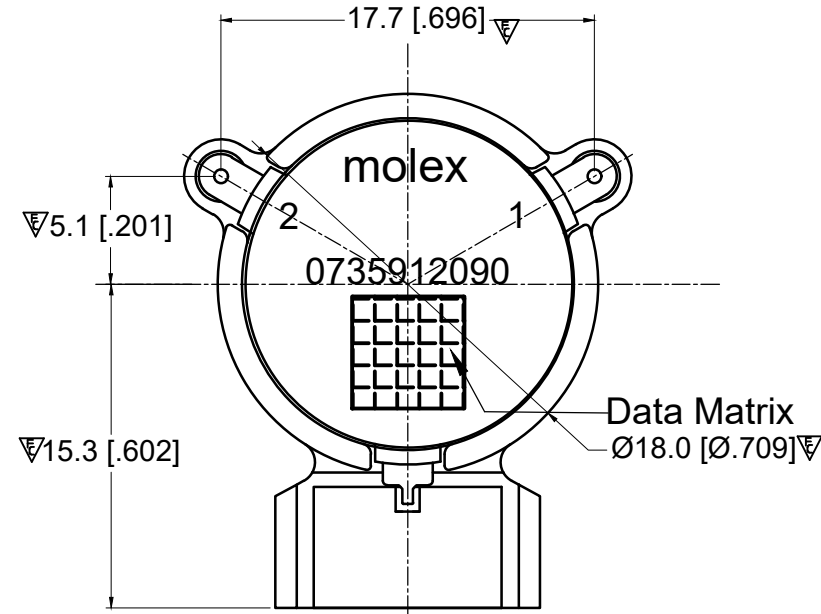
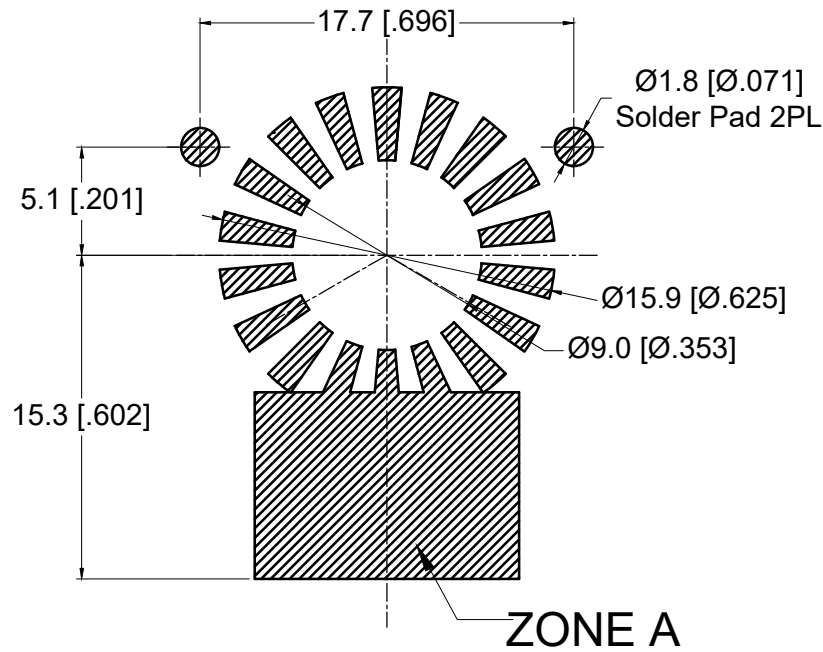
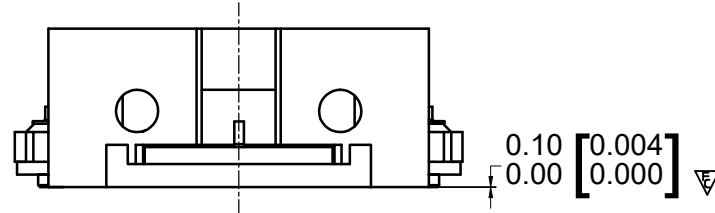


RECOMMENDED LAND PATTERN :

Zone A must be attached to heat sink. Thermal conductivity of intermediate layers between Zone A and heat sink must be better than 0.1 W / [°C x mm].



PCB MATERIAL:ROGERS 4350B 20MIL



ELECTRICAL SPECIFICATION :

- Frequency Range : 2620 to 2690 MHz
- Isolation : 28 dB Min
- Insertion Loss : 0.18 dB Max
- FWD Power : 150W (CW)
- Peak Power : 1000 W
- REV Power : 60 W
- Return Loss : 25 dB Min
- IMD (2 x 65 W, 1 MHz space) : -70 dBc Max
- 2nd Harmonics : 10 dBc
- 3rd Harmonics : 5 dBc
- Operating Temperature : -40°C to +120°C
- +120°C to +130°C : power capacity and reliability no change , other spec.reduce 10%
- Storage Temperature : -40°C to +130°C
- Direction : CCW

BODY: CARBON STEEL, SILVER PLATED

RIGID PINS: COPPER, SILVER PLATED

NOTES:

1. STANDARD INPUT/OUTPUT IMPEDANCE 50 Ohm
2. LEAD FREE, NO Nd MATERIAL, BeO FREE
- 3.THE DIMENSION OF THE DATA MATRIX IS 5.3MM*5.3MM, INFORMATION INCLUDED WORK ORDER NUMBER-SERIAL NUMBER-MATERIAL NUMBER
- 4.THIS PART COMPLIES WITH ALL ROHS REQUIREMENTS.

ENG PART#: 811-262-269-WC140

THIS DRAWING CONTAINS INFORMATION THAT IS PROPRIETARY TO MOLEX ELECTRONIC TECHNOLOGIES, LLC AND SHOULD NOT BE USED WITHOUT WRITTEN PERMISSION									
FUNCTIONAL SYMBOLS	DIMENSION UNITS	SCALE	CURRENT REV DESC:						
	MM	1:1	RELEASE TO PROD						
DIVISIONAL SYMBOLS	GENERAL TOLERANCES (UNLESS SPECIFIED)		EC NO: 696580						
	mm	INCH	DRWN: SREN05 2022/02/21						
DIVISIONAL SYMBOLS	4 PLACES	±0.005	±----	CHK'D: JLI252 2022/02/23					
	3 PLACES	±0.025	±----	APPR: HWANG186 2022/03/01					
DIVISIONAL SYMBOLS	2 PLACES	±0.13	±----	INITIAL REVISION:					
	1 PLACE	±0.25	±----	DRWN: SREN05 2021/12/09					
DIVISIONAL SYMBOLS	0 PLACES	±0.4	±----	APPR: HWANG186 2022/03/01					
	ANGULAR TOL ± 1.5 °		DRAFT WHERE APPLICABLE MUST REMAIN WITHIN DIMENSIONS						
THIRD ANGLE PROJECTION		DRAWING		SERIES		MATERIAL NUMBER		CUSTOMER	
A3-SIZE		73591		0735912090		CUSTOM PART		SHEET NUMBER	
1 OF 1		1 OF 1		1 OF 1		1 OF 1		1 OF 1	