

MATERIALS AND FINISHES:

BODY: BRASS  
 OPTION 1:  
 PLATED GOLD (1μ-in MIN)  
 OVER NICKEL PHOSPHOR (80μ-in MIN)  
 OVER COPPER (20μ-in MIN)  
 OPTION 2:  
 PLATED TRI-M (80μ-in MIN)  
 OPTION 3:  
 PLATED GOLD (8μ-in MIN)  
 OVER NICKEL PHOSPHOR (80μ-in MIN)  
 OVER COPPER (20μ-in MIN)

INSULATOR: PTFE

CENTER CONTACT: BRASS  
 PLATED GOLD (8μ-in MIN)  
 OVER NICKEL PHOSPHOR (80μ-in MIN)  
 OVER COPPER (20μ-in MIN)

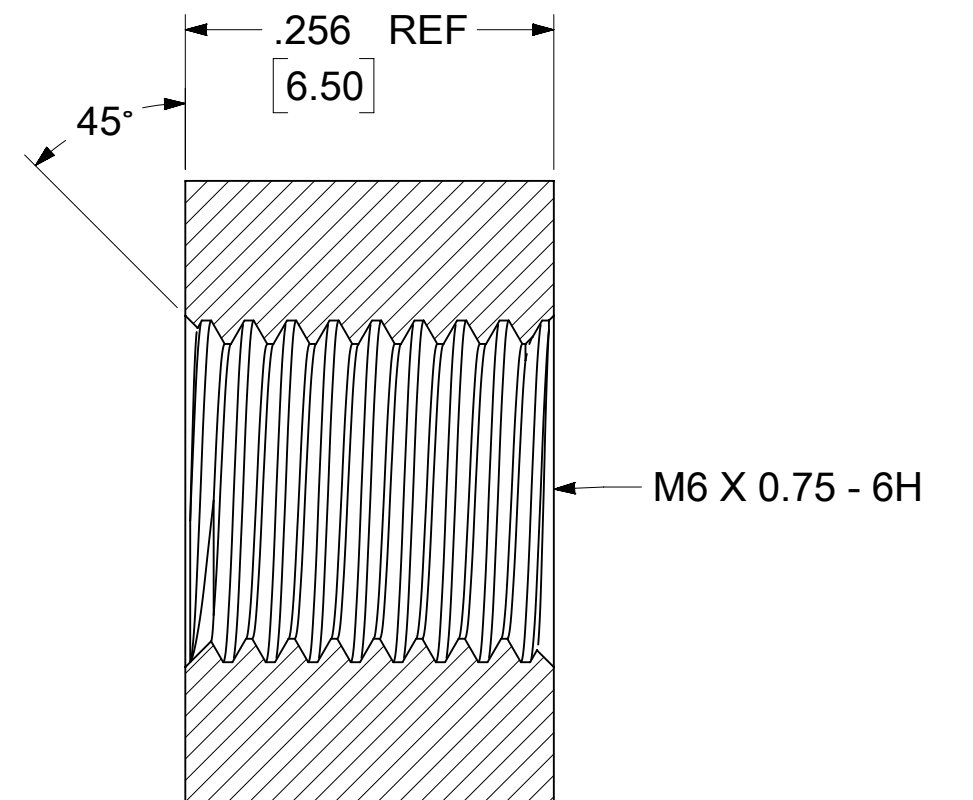
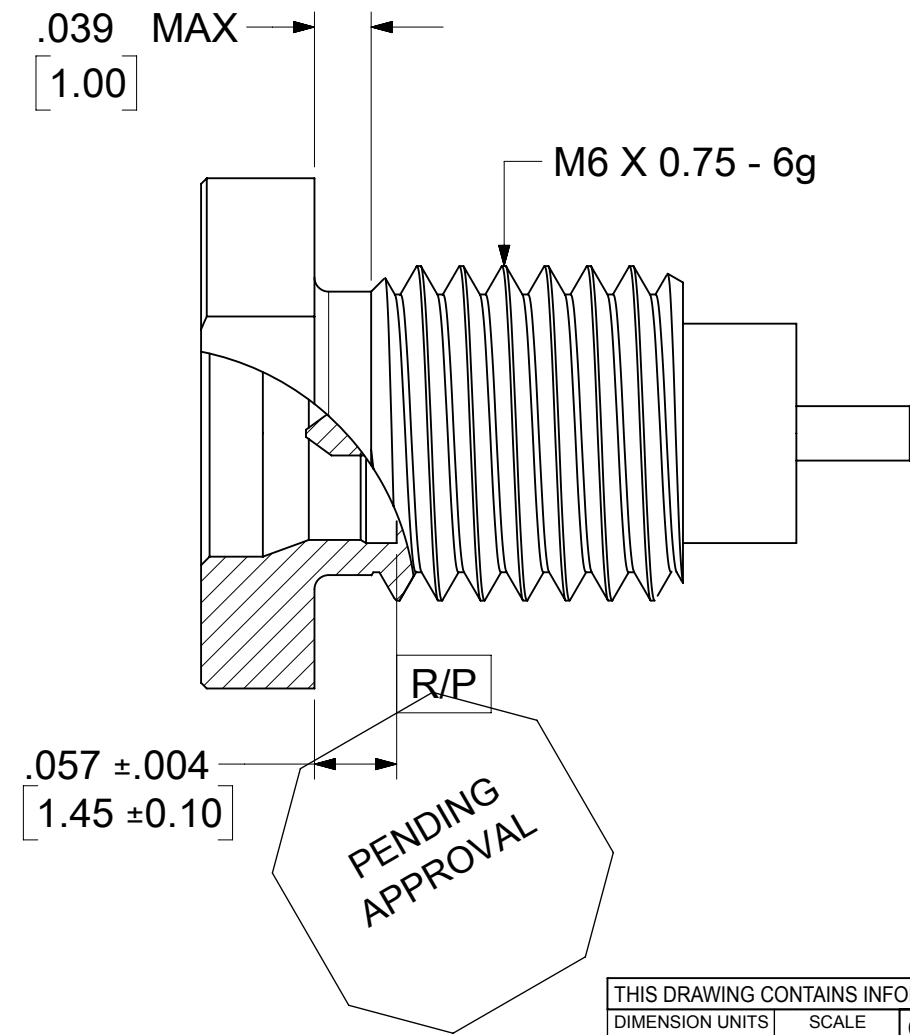
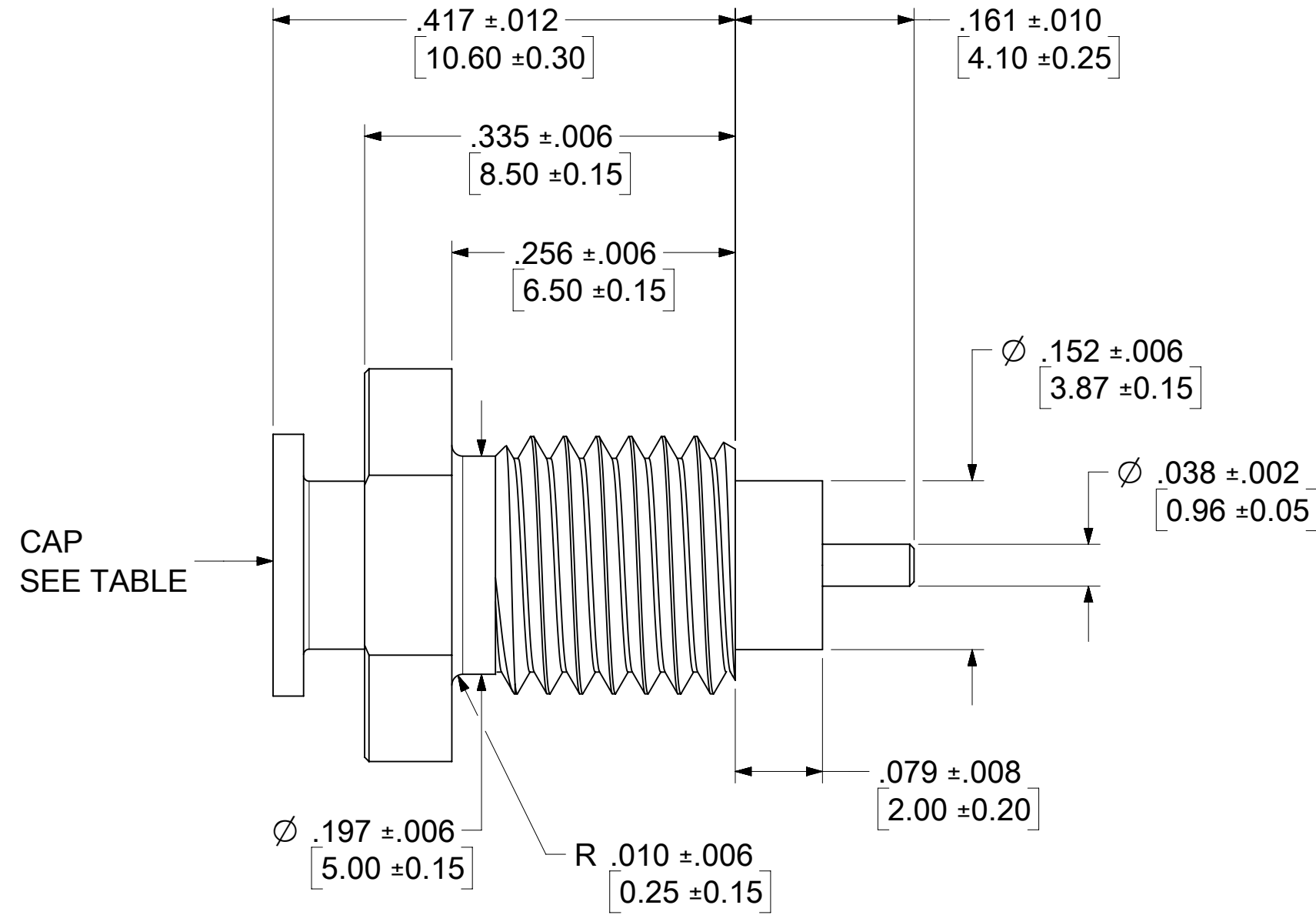
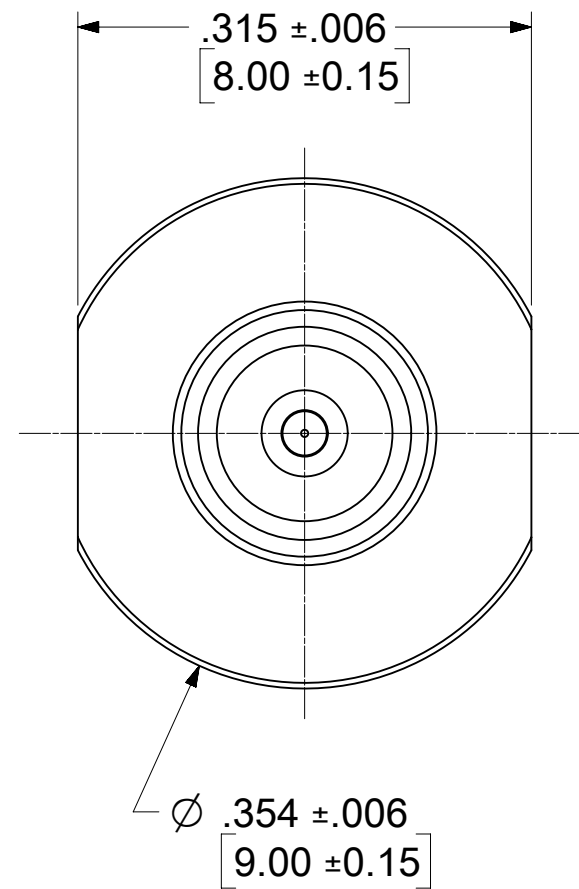
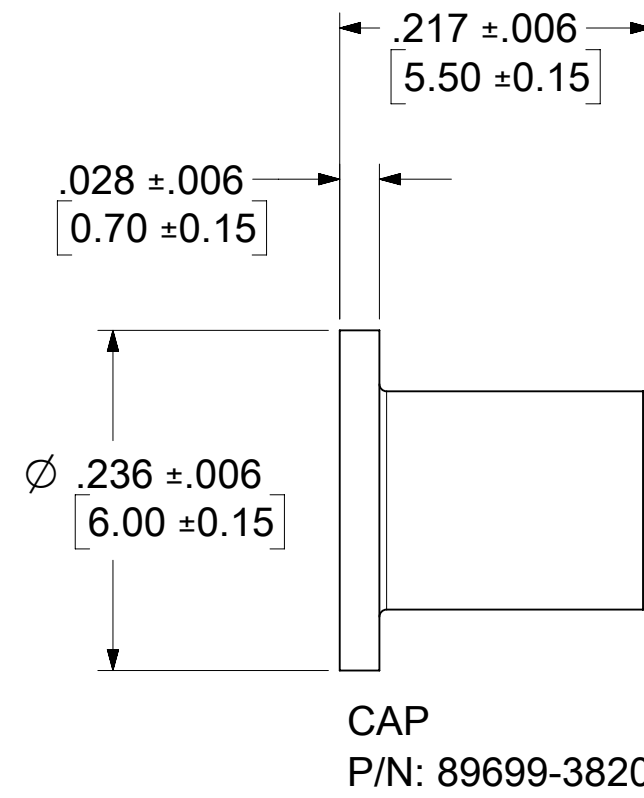
CAP: PTFE

ELECTRICAL CHARACTERISTICS:

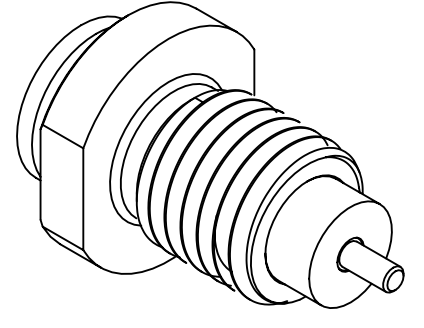
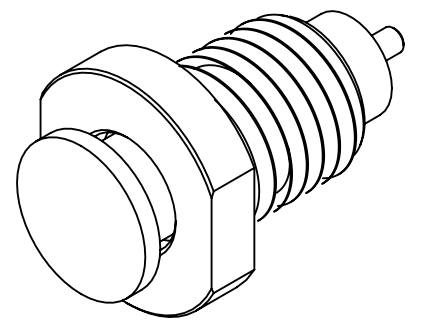
NOMINAL IMPEDANCE: 50Ω  
 FREQUENCY RANGE: 0 - 10 GHz  
 VSWR (MAX) / RETURN LOSS (MAX)

DC - 4 GHz	4 - 6 GHz
1.07 / -30 dB	1.12 / -25 dB

INSERTION LOSS: 0.03 √F (GHz) dB MAX  
 COAXIAL TRANSMISSION LINE ONLY



RECOMMENDED PANEL CUTOUT



73420-5445	OPTION 3	89699-3820	TRAY
73420-5444			SINGLE PC
73420-5443	OPTION 2	N/A	TRAY
73420-5442			SINGLE PC
73420-5441	OPTION 1	89699-3820	TRAY
73420-5440			SINGLE PC
PART NO	BODY FINISH	CAP	PACKAGING

PS-89675-3760	ELEC/MECH PERFORMANCE
SPECIFICATION	DESCRIPTION

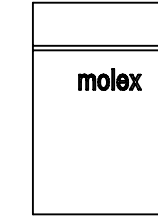
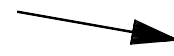
DOCUMENT STATUS	RQ	RELEASE DATE	
-----------------	----	--------------	--

THIS DRAWING CONTAINS INFORMATION THAT IS PROPRIETARY TO MOLEX ELECTRONIC TECHNOLOGIES, LLC AND SHOULD NOT BE USED WITHOUT WRITTEN PERMISSION

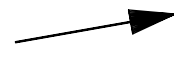
DIMENSION UNITS	SCALE	CURRENT REV DESC: CORRECT TYPO	<b>molex</b>		
INCH/MM	NTS				
GENERAL TOLERANCES (UNLESS SPECIFIED)			SMP-MAX EVO RECEPTACLE STR SNAP TYPE PANEL MOUNT M6X0.75		
ANGULAR TOL	± 2.0°	EC NO: 708622	PRODUCT CUSTOMER DRAWING		
4 PLACES	±	DRWN: RYEH	DOCUMENT NUMBER		
3 PLACES	±	CHK'D: 2022/05/31	DOC TYPE		
2 PLACES	± 0.25	APPR:	DOC PART		
1 PLACE	±	INITIAL REVISION:	REVISION		
0 PLACES	±	DRWN: RYEH	SD-73420-544		
		APPR: MHUANG	PSD 001 A7		
DRAFT WHERE APPLICABLE MUST REMAIN WITHIN DIMENSIONS	THIRD ANGLE PROJECTION	DRAWING	MATERIAL NUMBER	CUSTOMER	SHEET NUMBER
		C-SIZE	SEE TABLE	GENERAL MARKET	1 OF 3
		SERIES	73420		



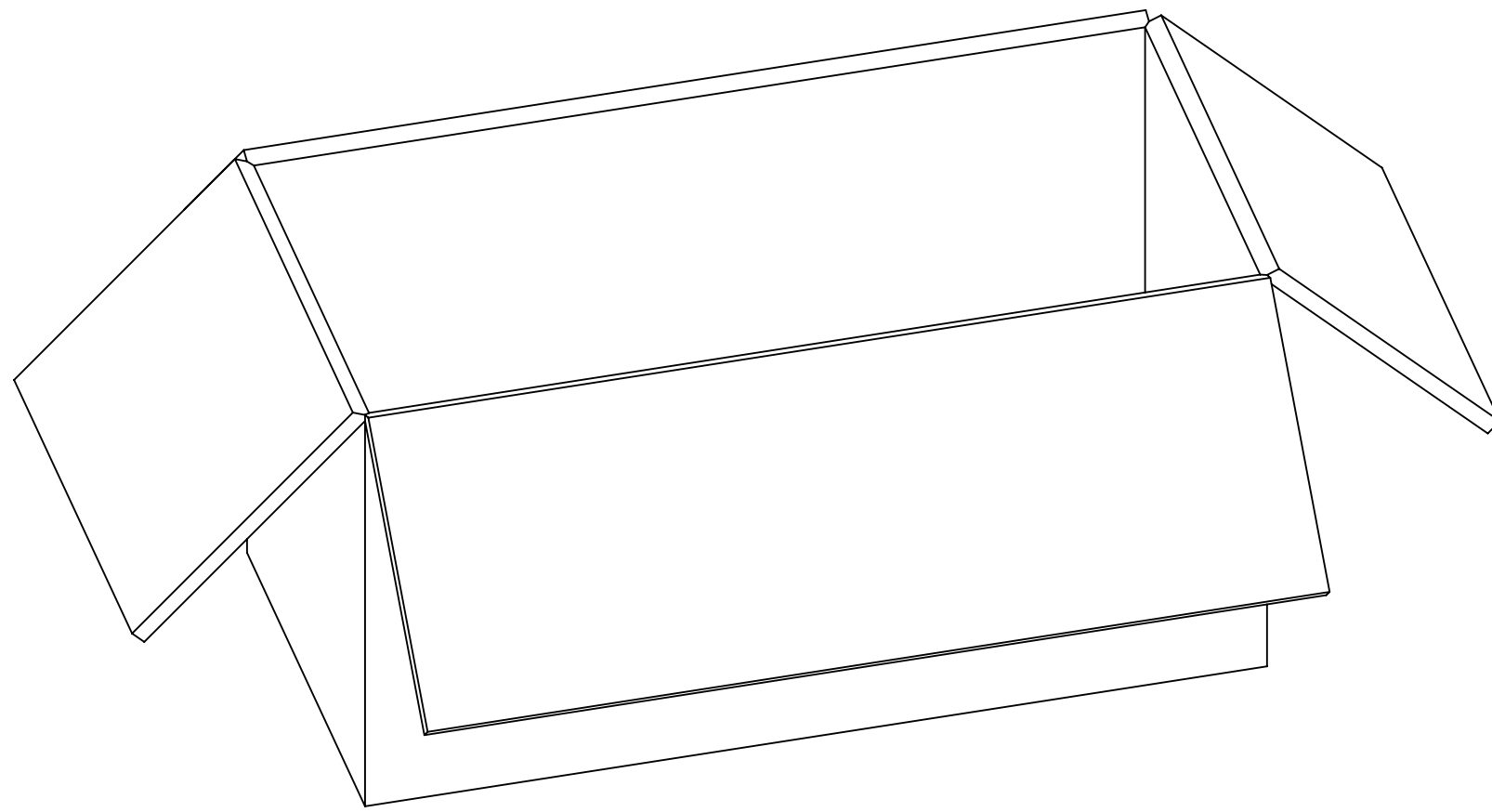
P/N: 73420-5440  
OR  
P/N: 73420-5444



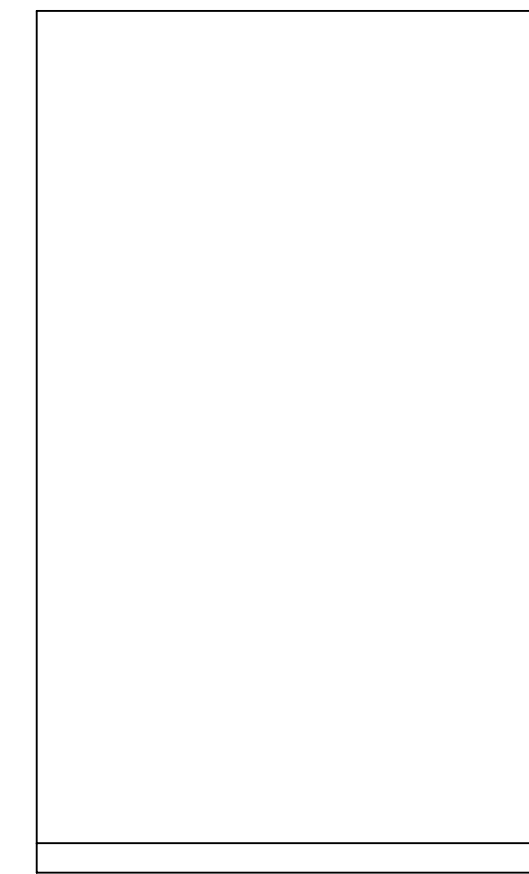
1 SET PER BAG  
P/N: 89707-0317



P/N: 73420-5442



500 SETS PER CARTON BOX  
P/N: 96707-0002



50 SETS PER BAG  
P/N: 89707-0176

PENDING APPROVAL

THIS DRAWING CONTAINS INFORMATION THAT IS PROPRIETARY TO MOLEX ELECTRONIC TECHNOLOGIES, LLC AND SHOULD NOT BE USED WITHOUT WRITTEN PERMISSION

DIMENSION UNITS		SCALE		CURRENT REV DESC: CORRECT TYPO				<b>molex</b>					
INCH/MM		NTS											
GENERAL TOLERANCES (UNLESS SPECIFIED)				EC NO: 708622				SMP-MAX EVO RECEPTACLE STR SNAP TYPE PANEL NOUNT M6X0.75					
ANGULAR TOL ± 2.0°				DRWN: RYEH 2022/05/31				PRODUCT CUSTOMER DRAWING					
4 PLACES ±				CHK'D:				DOCUMENT NUMBER					
3 PLACES ±				APPR:				SD-73420-544					
2 PLACES ± 0.25				INITIAL REVISION:				DOC TYPE		DOC PART		REVISION	
1 PLACE ±				DRWN: RYEH 2013/11/24				PSD		001		A7	
0 PLACES ±				APPR: MHUANG 2014/01/15				MATERIAL NUMBER		CUSTOMER		SHEET NUMBER	
DRAFT WHERE APPLICABLE MUST REMAIN WITHIN DIMENSIONS				THIRD ANGLE PROJECTION		DRAWING		SERIES		SEE TABLE		GENERAL MARKET	
						C-SIZE		73420		2 OF 3			

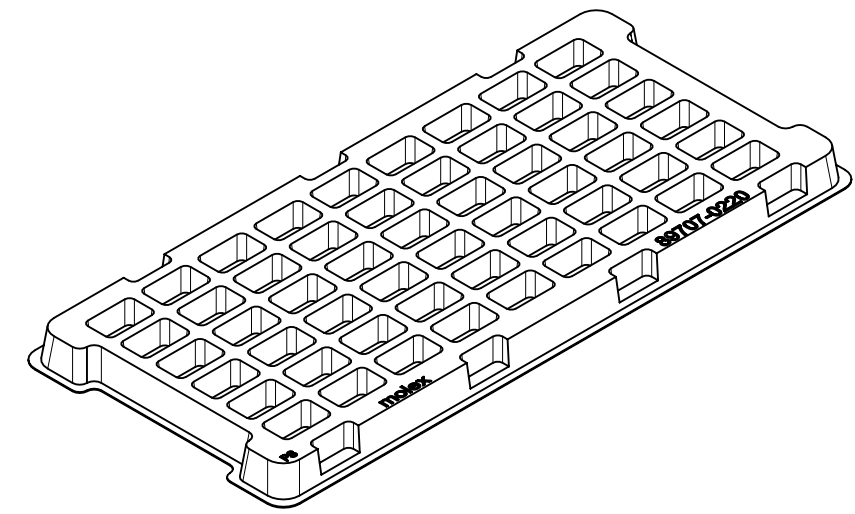
DOCUMENT STATUS	RQ	RELEASE DATE	
-----------------	----	--------------	--



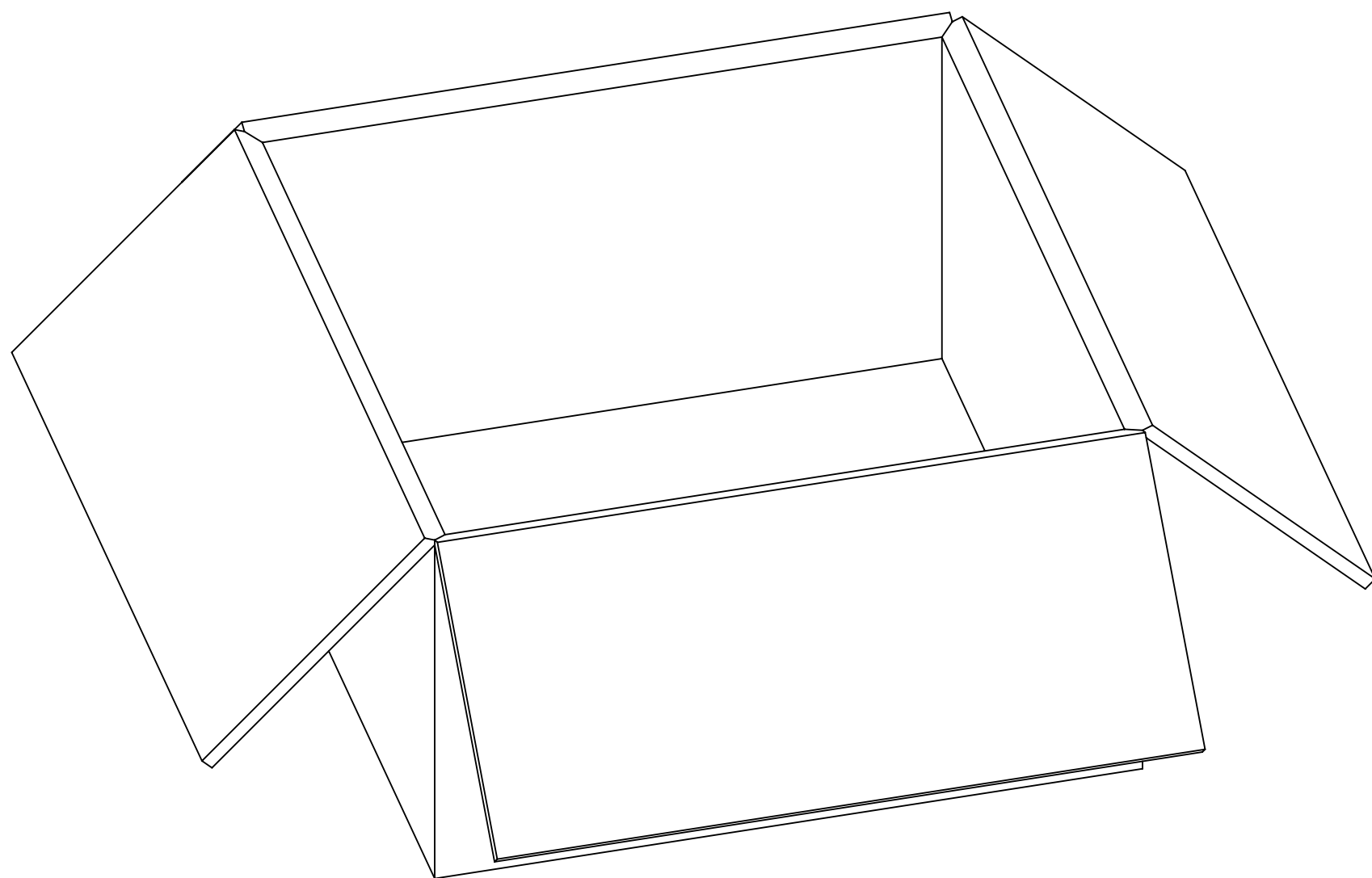
P/N: 73420-5441  
OR  
P/N: 73420-5445



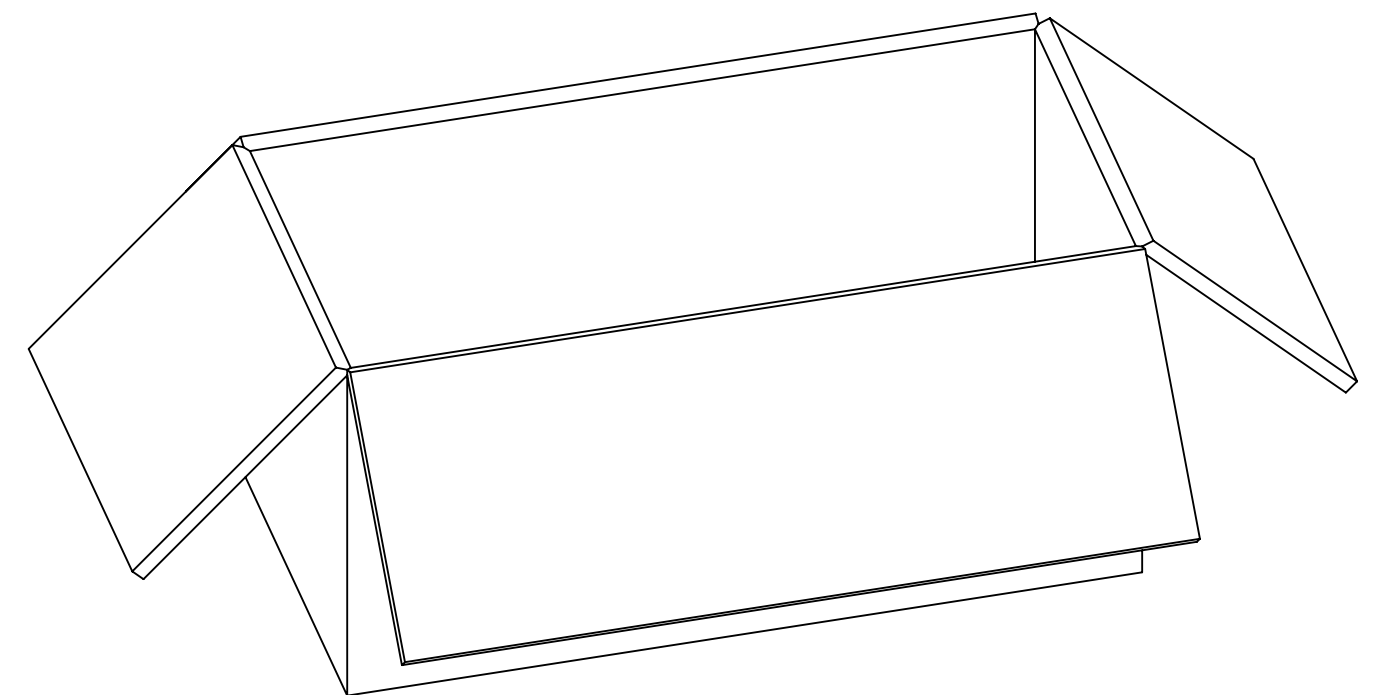
P/N: 73420-5443



54 SETS PER TRAY  
P/N: 89707-0220



1080 SETS PER OUTER  
CARTON BOX  
P/N: 96708-0005



540 SETS PER INNER  
CARTON BOX  
P/N: 96707-0001

PENDING  
APPROVAL

THIS DRAWING CONTAINS INFORMATION THAT IS PROPRIETARY TO MOLEX ELECTRONIC TECHNOLOGIES, LLC AND SHOULD NOT BE USED WITHOUT WRITTEN PERMISSION

DIMENSION UNITS		SCALE		CURRENT REV DESC: CORRECT TYPO				<b>molex</b>					
INCH/MM		NTS											
GENERAL TOLERANCES (UNLESS SPECIFIED)				EC NO: 708622				SMP-MAX EVO RECEPTACLE STR SNAP TYPE PANEL MOUNT M6X0.75					
ANGULAR TOL ± 2.0°				DRWN: RYEH 2022/05/31									
4 PLACES ±				CHK'D:				PRODUCT CUSTOMER DRAWING					
3 PLACES ±				APPR:									
2 PLACES ± 0.25				INITIAL REVISION:				DOCUMENT NUMBER					
1 PLACE ±				DRWN: RYEH 2013/11/24								SD-73420-544	
0 PLACES ±				APPR: MHUANG 2014/01/15				DOC TYPE					
DRAFT WHERE APPLICABLE MUST REMAIN WITHIN DIMENSIONS				THIRD ANGLE PROJECTION		DRAWING						SERIES	
				C-SIZE		73420		GENERAL MARKET		001		A7	
				SEE TABLE				SHEET NUMBER					
								3 OF 3					

DOCUMENT STATUS	RQ	RELEASE DATE	
-----------------	----	--------------	--