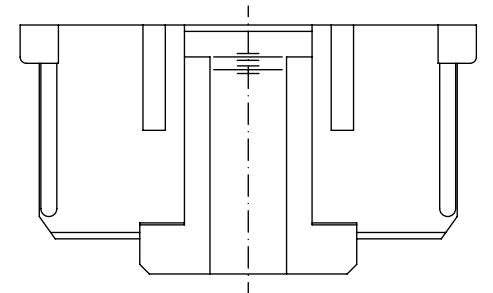
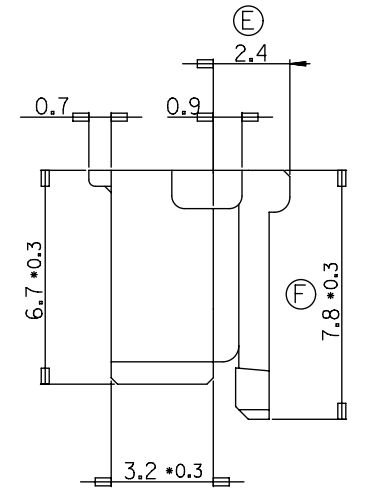
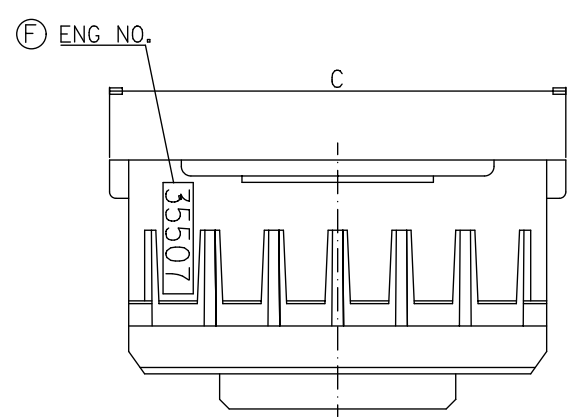
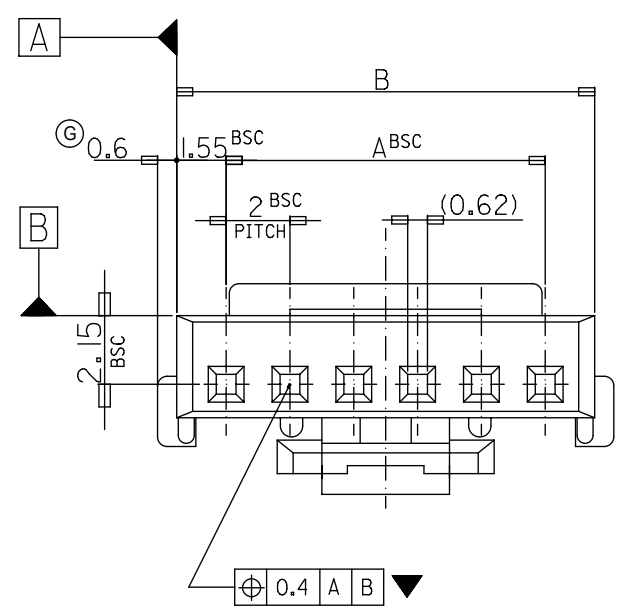


TERMINAL INSERTED DRAWING  
SCALE 2:1



NOTES

1. MATERIAL : POLYESTER, UL94V-0
- ② 2. FINISH : VARIABLE COLOR (SEE LEGEND)
3. PRODUCT SPECIFICATION NO : PS-35507-001
4. APPLICABLE TERMINAL : 50212-8000
5. MATES WITH : 35362-\*\*\*1\*, 35363-\*\*\*1\*

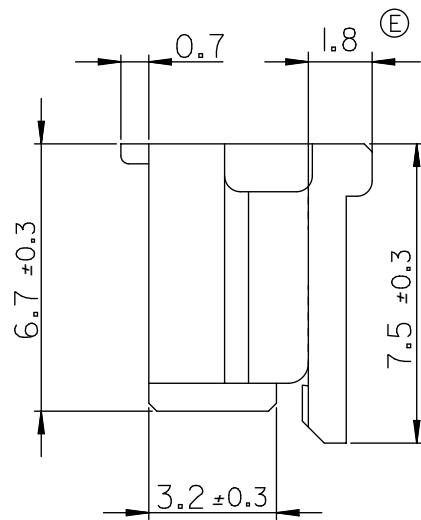
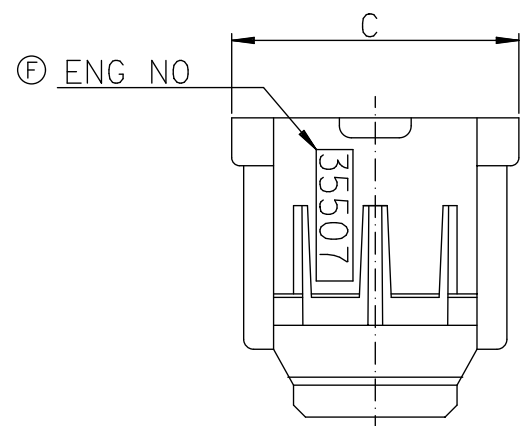
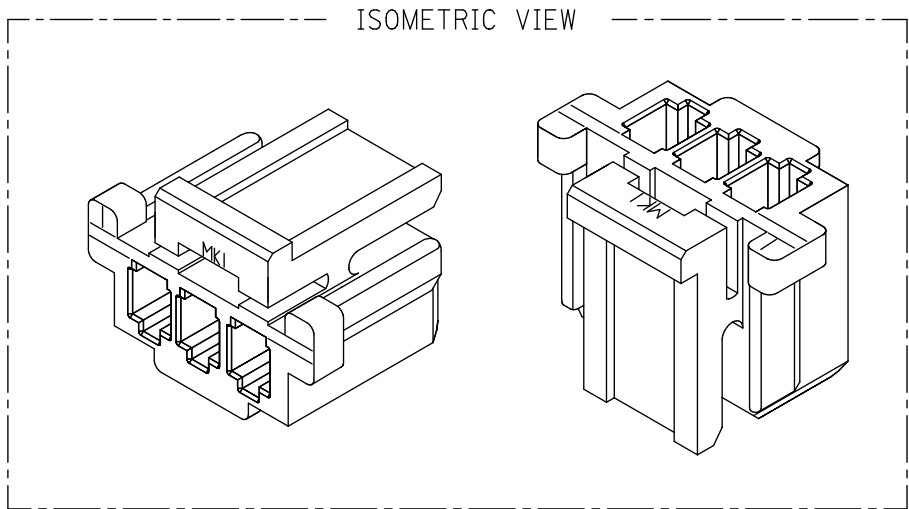
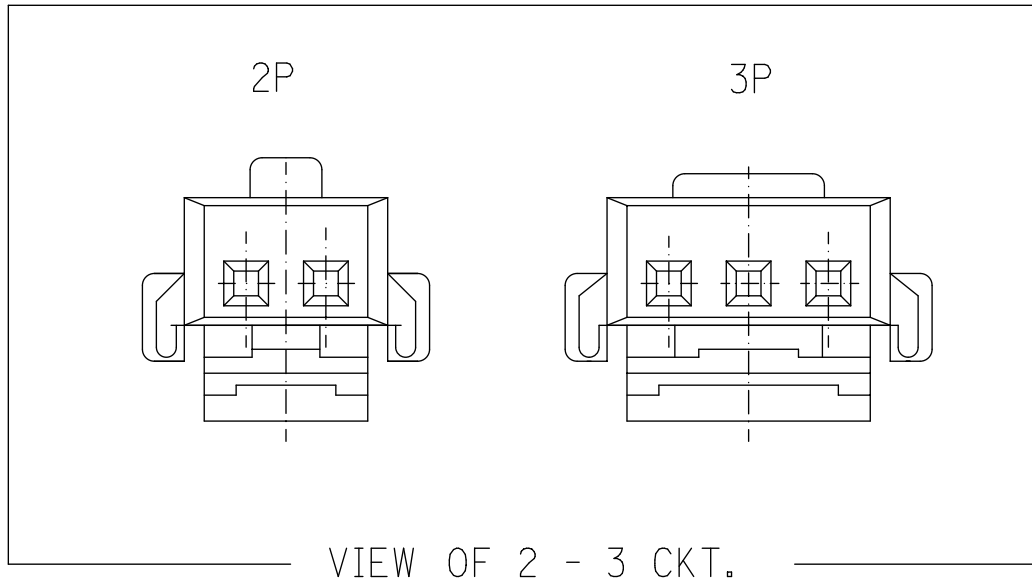
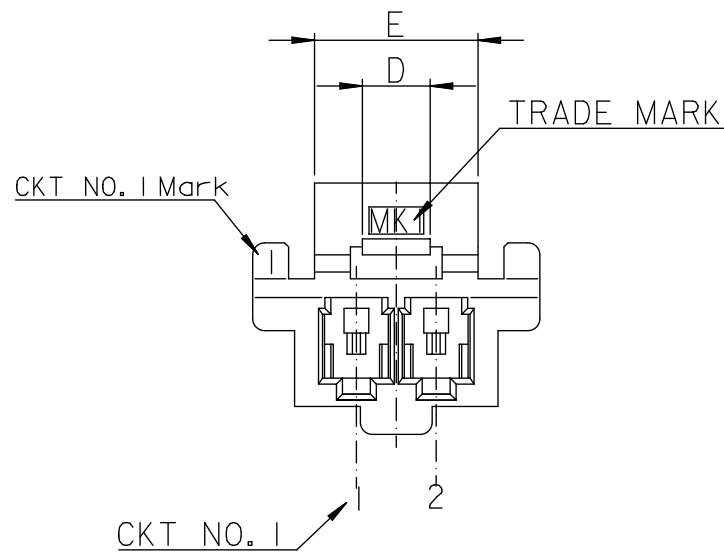


③ LEGEND

CKT NO. ***0*	COLOR	0 : NATURAL
		1 : BLACK
		2 : RED
		3 : YELLOW
		4 : BLUE
		5 : GREEN

4	4	27.8	32.3	31.1	28	-150*	15
		25.8	30.3	29.1	26	-140*	14
		23.8	28.3	27.1	24	-130*	13
		21.8	26.3	25.1	22	-120*	12
		19.8	24.3	23.1	20	-110*	11
		17.8	22.3	21.1	18	-100*	10
▽	▽	15.8	20.3	19.1	16	-090*	9
8.0	10.8	13.8	18.3	17.1	14	-080*	8
4	4	11.8	16.3	15.1	12	-070*	7
		9.8	14.3	13.1	10	-060*	6
	⑥ 6.8	7.8	12.3	11.1	8	-050*	5
4.0	6.4	5.8	10.3	9.1	6	35507-040*	4
F	E	D	C	B	A	ENG NO.	CKT

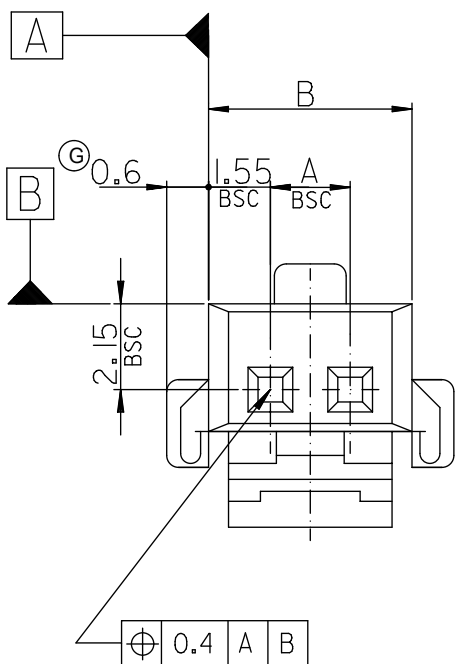
<b>SYMBOLS</b> DIMENSION UNITS: HYBRID SCALE: 1:1 GENERAL TOLERANCES (UNLESS SPECIFIED) ANGULAR TOL ± 0.5° 4 PLACES ± 3 PLACES ± 2 PLACES ± 1 PLACE ± 0 PLACES ± DRAFT WHERE APPLICABLE MUST REMAIN WITHIN DIMENSIONS	THIS DRAWING CONTAINS INFORMATION THAT IS PROPRIETARY TO MOLEX ELECTRONIC TECHNOLOGIES, LLC AND SHOULD NOT BE USED WITHOUT WRITTEN PERMISSION		CURRENT REV DESC: EC NO: 175346 DRWN: JSSHIN 2018/04/19 CHK'D: SHCHU 2018/04/20 APPR: YSKIM02 2018/04/23		 2.0 W-T-B CONN HOUSING 4-15P ONLY	
	GENERAL TOLERANCE 30 over ±0.3 10 over 30 under ±0.25 10 under ±0.2 ANGLE ±3°		INITIAL REVISION: DRWN: JHLEE05 2009/12/18 APPR: YUNSIKKIM 2009/12/21			
THIRD ANGLE PROJECTION 		DRAWING: A3-SIZE	SERIES: 35507	MATERIAL NUMBER: SEE TABLE	CUSTOMER: GENERAL	SHEET NUMBER: 1 OF 1



FOR 2 & 3 CKTS.

LEGEND

CKT NO. **0*	COLOR	0 : NATURAL
		1 : BLACK
		2 : RED
		3 : YELLOW
		4 : BLUE
		5 : GREEN

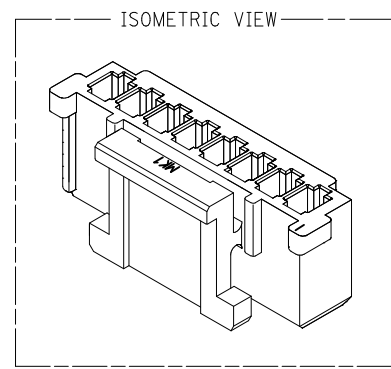
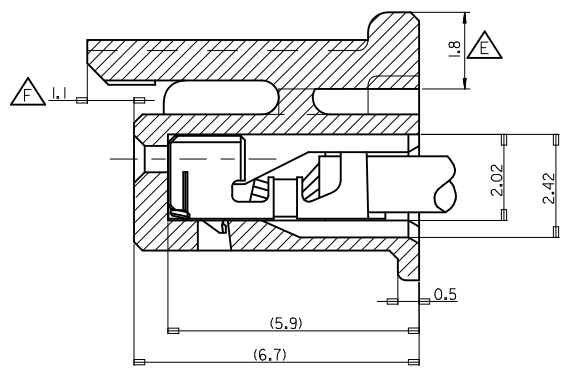
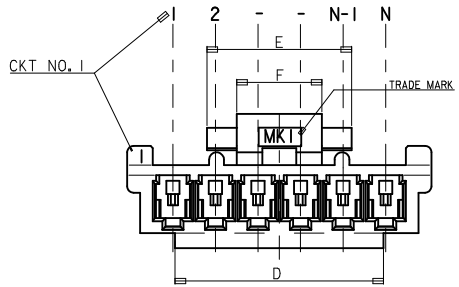


NOTES

1. MATERIAL : POLYESTER, UL94V-0
2. FINISH : VARIABLE COLOR (SEE LEGEND)
3. PRODUCT SPECIFICATION NO : PS-35507-001
4. APPLICABLE TERMINAL : 50212-8000
5. MATES WITH : 35362-\*\*\*, 35363-\*\*\*

6.1	3.5	9.2	7.1	4	35507-030*	3
4.1	1.5	7.2	5.1	2	35507-020*	2
E	D	C	B	A	ENG NO.	CKT

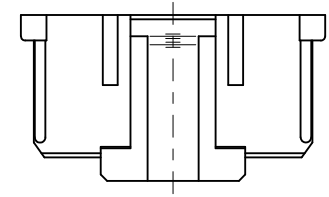
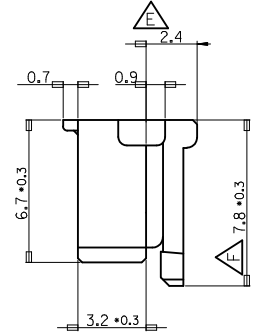
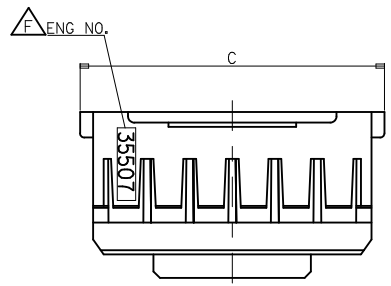
SYMBOLS	THIS DRAWING CONTAINS INFORMATION THAT IS PROPRIETARY TO MOLEX ELECTRONIC TECHNOLOGIES, LLC AND SHOULD NOT BE USED WITHOUT WRITTEN PERMISSION	CURRENT REV DESC:		<b>molex</b>																																																																							
	<table border="1"> <tr> <th>SYMBOLS</th> <th>DIMENSION UNITS</th> <th>SCALE</th> </tr> <tr> <td>▽ = 0</td> <td>mm</td> <td>1:1</td> </tr> <tr> <td>▽ = 0</td> <td colspan="2">GENERAL TOLERANCES (UNLESS SPECIFIED)</td> </tr> <tr> <td>▽ = 0</td> <td>ANGULAR TOL</td> <td>± °</td> </tr> <tr> <td>▽ = 0</td> <td>4 PLACES</td> <td>±</td> </tr> <tr> <td>▽ = 0</td> <td>3 PLACES</td> <td>±</td> </tr> <tr> <td>▽ = 0</td> <td>2 PLACES</td> <td>±</td> </tr> <tr> <td>▽ = 0</td> <td>1 PLACE</td> <td>±</td> </tr> <tr> <td>▽ = 0</td> <td>0 PLACES</td> <td>±</td> </tr> <tr> <td>■ = 0</td> <td colspan="2">DRAFT WHERE APPLICABLE MUST REMAIN WITHIN DIMENSIONS</td> </tr> <tr> <td>▽ = 0</td> <td colspan="2">THIRD ANGLE PROJECTION</td> </tr> </table>	SYMBOLS	DIMENSION UNITS		SCALE	▽ = 0	mm	1:1	▽ = 0	GENERAL TOLERANCES (UNLESS SPECIFIED)		▽ = 0	ANGULAR TOL	± °	▽ = 0	4 PLACES	±	▽ = 0	3 PLACES	±	▽ = 0	2 PLACES	±	▽ = 0	1 PLACE	±	▽ = 0	0 PLACES	±	■ = 0	DRAFT WHERE APPLICABLE MUST REMAIN WITHIN DIMENSIONS		▽ = 0	THIRD ANGLE PROJECTION		<table border="1"> <tr> <td>EC NO: 605910</td> <td>2018/10/11</td> </tr> <tr> <td>DRWN: JSSHIN</td> <td>2018/10/11</td> </tr> <tr> <td>CHK'D: SHCHU</td> <td>2018/10/15</td> </tr> <tr> <td>APPR: YSKIM02</td> <td>2018/10/16</td> </tr> <tr> <td colspan="2">INITIAL REVISION:</td> </tr> <tr> <td>DRWN: YSKIM02</td> <td>1996/09/11</td> </tr> <tr> <td>APPR: CWLEE</td> <td>1996/09/11</td> </tr> </table>		EC NO: 605910	2018/10/11	DRWN: JSSHIN	2018/10/11	CHK'D: SHCHU	2018/10/15	APPR: YSKIM02	2018/10/16	INITIAL REVISION:		DRWN: YSKIM02	1996/09/11	APPR: CWLEE	1996/09/11	<table border="1"> <tr> <td colspan="3"><b>molex</b></td> </tr> <tr> <td colspan="3">2.0 W-T-B CONN HOUSING 2 TO 3P ONLY</td> </tr> <tr> <td colspan="3">PRODUCT CUSTOMER DRAWING</td> </tr> <tr> <td>DOCUMENT NUMBER</td> <td>DOC TYPE</td> <td>DOC PART</td> </tr> <tr> <td>SD-35507-001</td> <td>PSD</td> <td>002</td> </tr> <tr> <td>REVISION</td> <td colspan="2">G2</td> </tr> <tr> <td>MATERIAL NUMBER</td> <td>CUSTOMER</td> <td>SHEET NUMBER</td> </tr> <tr> <td>SEE TABLE</td> <td>GENERAL MARKET</td> <td>1 OF 1</td> </tr> </table>		<b>molex</b>			2.0 W-T-B CONN HOUSING 2 TO 3P ONLY			PRODUCT CUSTOMER DRAWING			DOCUMENT NUMBER	DOC TYPE	DOC PART	SD-35507-001	PSD	002	REVISION	G2		MATERIAL NUMBER	CUSTOMER	SHEET NUMBER	SEE TABLE
SYMBOLS	DIMENSION UNITS	SCALE																																																																									
▽ = 0	mm	1:1																																																																									
▽ = 0	GENERAL TOLERANCES (UNLESS SPECIFIED)																																																																										
▽ = 0	ANGULAR TOL	± °																																																																									
▽ = 0	4 PLACES	±																																																																									
▽ = 0	3 PLACES	±																																																																									
▽ = 0	2 PLACES	±																																																																									
▽ = 0	1 PLACE	±																																																																									
▽ = 0	0 PLACES	±																																																																									
■ = 0	DRAFT WHERE APPLICABLE MUST REMAIN WITHIN DIMENSIONS																																																																										
▽ = 0	THIRD ANGLE PROJECTION																																																																										
EC NO: 605910	2018/10/11																																																																										
DRWN: JSSHIN	2018/10/11																																																																										
CHK'D: SHCHU	2018/10/15																																																																										
APPR: YSKIM02	2018/10/16																																																																										
INITIAL REVISION:																																																																											
DRWN: YSKIM02	1996/09/11																																																																										
APPR: CWLEE	1996/09/11																																																																										
<b>molex</b>																																																																											
2.0 W-T-B CONN HOUSING 2 TO 3P ONLY																																																																											
PRODUCT CUSTOMER DRAWING																																																																											
DOCUMENT NUMBER	DOC TYPE	DOC PART																																																																									
SD-35507-001	PSD	002																																																																									
REVISION	G2																																																																										
MATERIAL NUMBER	CUSTOMER	SHEET NUMBER																																																																									
SEE TABLE	GENERAL MARKET	1 OF 1																																																																									



TERMINAL INSERTED DRAWING  
SCALE 8:1

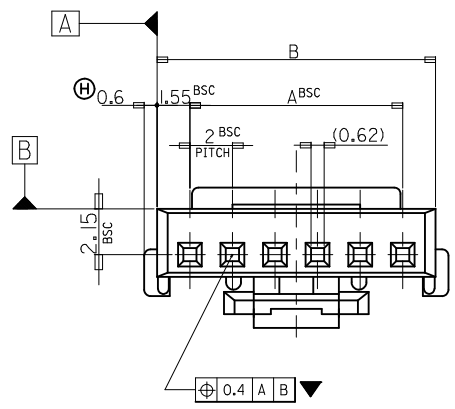
NOTES

1. MATERIAL : POLYESTER, NON GLASS FILLED, UL94V-0
2. FINISH : VARIABLE COLOR (SEE LEGEND)
3. PRODUCT SPECIFICATION : PS-35507-001
4. APPLICABLE TERMINAL : 50212-8000
5. MATES WITH : 35362-\*\*\*, 35363-\*\*\*



LEGEND

CKT NO.	**0*	COLOR	0 : NATURAL
			1 : BLACK
			2 : RED
			3 : YELLOW
			4 : BLUE
			5 : GREEN



8.0	10.8	37.8	42.3	41.1	38	35507200*	35507-200*	20
8.0	10.8	35.8	40.3	39.1	36	35507190*	35507-190*	19
8.0	10.8	33.8	38.3	37.1	34	35507180*	35507-180*	18
8.0	10.8	31.8	36.3	35.1	32	35507170*	35507-170*	17
8.0	10.8	29.8	34.3	33.1	30	35507160*	35507-160*	16
F	E	D	C	B	A	MATERIAL NO.	ENG NO.	CKT

REVISED EC NO: KOR2008-0029 DRWN: JHLEE05 2009/12/18 CHKD: KSK IM 2009/12/18 APPR: YUNSIKKIM 2009/12/18	QUALITY SYMBOLS	GENERAL TOLERANCES (UNLESS SPECIFIED)	DIMENSION STYLE	SCALE	DESIGN UNITS	THIRD ANGLE PROJECTION
	▼ = 0 ◻ = 0	mm INCH 4 PLACES ± --- ± --- 3 PLACES ± --- ± --- 2 PLACES ± --- ± --- 1 PLACE ± --- ± --- ANGULAR ± ---°	MM ONLY	1:1	METRIC	
	DESCRIPTION	DRAFT WHERE APPLICABLE MUST REMAIN WITHIN DIMENSIONS	DRAWN BY: YSK1M02 CHECKED BY: YSK1M04 APPROVED BY: CWLEE DATE: 1996/09/11	TITLE	2.0 W-T-B CONN HOUSING	
	REV		MATERIAL NO. SEE TABLE SIZE A3 THIS DRAWING CONTAINS INFORMATION THAT IS PROPRIETARY TO MOLEX INCORPORATED AND SHOULD NOT BE USED WITHOUT WRITTEN PERMISSION	MOLEX MOLEX INCORPORATED DOCUMENT NO. SD-35507-001	SHEET NO. 3 OF 3	