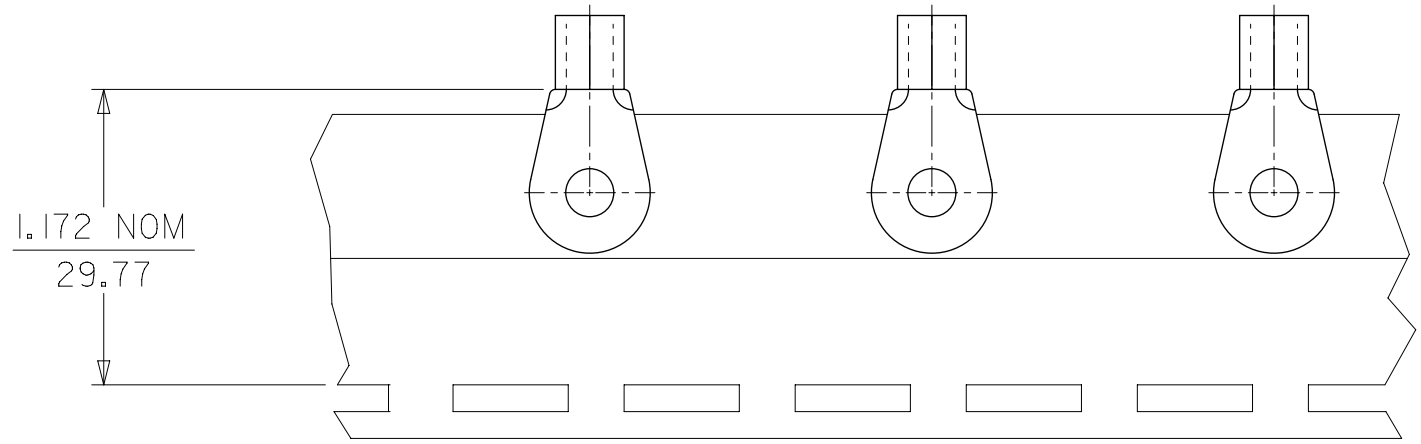
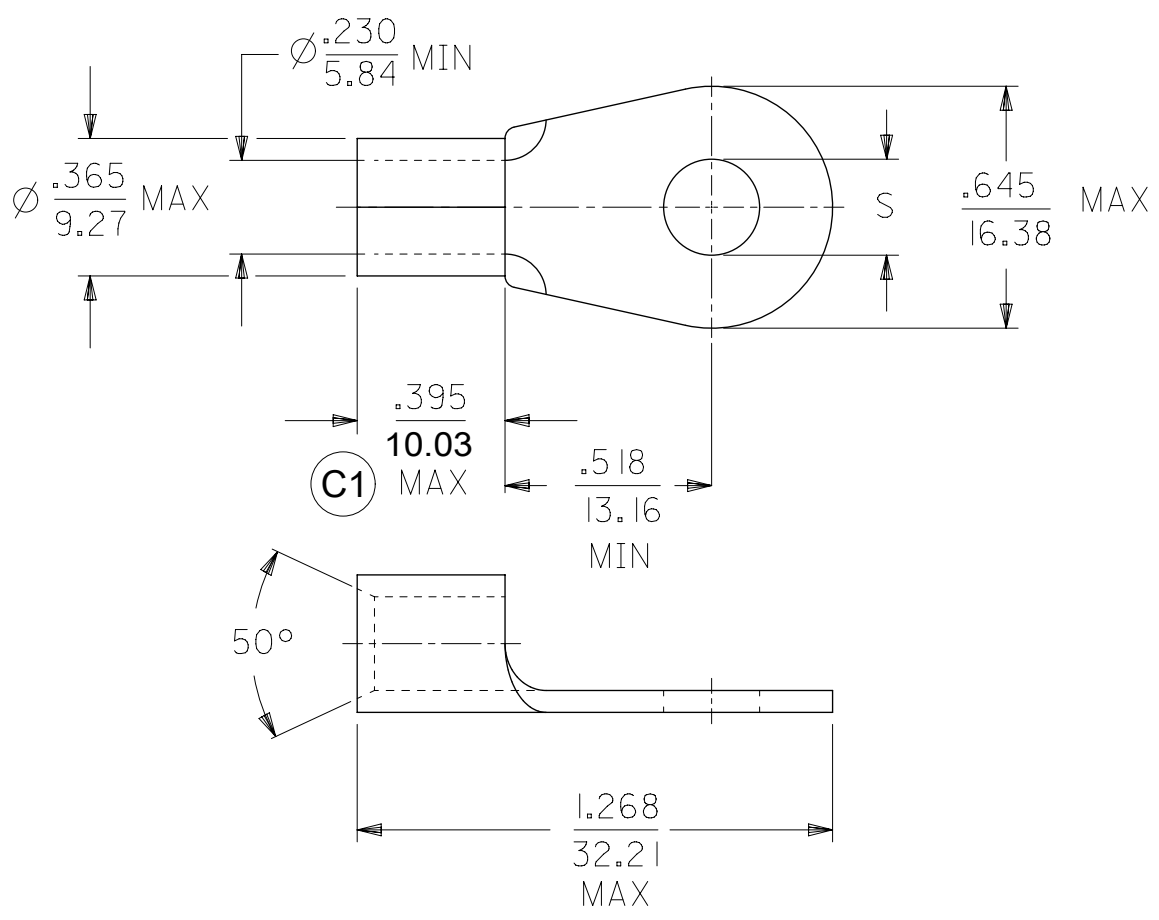


MATERIAL NUMBER	ENGINEERING NUMBER	STUD SIZE	"S"	PACKAGING
191930206	E-357-08	8	.173/(4.39)	LOOSE PIECE
191930209	E-357-10	10	.198/(5.02)	
191930212	E-357-14	1/4	.265/(6.73)	
191930219	E-357-56	5/16	.328/(8.33)	
191930216	E-357-38	3/8	.390/(9.90)	
191930223	E-357-76	7/16	.453/(11.50)	
191930208	E-357-08T	8	.173/(4.39)	TAPE MOUNTED
191930215	E-357-14T	1/4	.265/(6.73)	
191930222	E-357-56T	5/16	.328/(8.33)	
191930218	E-357-38T	3/8	.390/(9.90)	
191930224	E-357-76T	7/16	.453/(11.50)	



PARTS ON TAPE
DOUBLE SPACED AS SHOWN



SALES DRAWING

- NOTE(S):
1. MATERIAL: COPPER .050/(1.27) THICK
 2. PLATING: ELECTROPLATE TIN
 3. ALL DIMENSIONS IN INCHES/(MM).
 4. WIRE SIZE: 6 AWG
16 MM²
 5. PART IS ROHS COMPLIANT.

THIS DRAWING CONTAINS INFORMATION THAT IS PROPRIETARY TO MOLEX ELECTRONIC TECHNOLOGIES, LLC AND SHOULD NOT BE USED WITHOUT WRITTEN PERMISSION									
DIMENSION UNITS INCH/MM		SCALE NTS		CURRENT REV DESC: CORRECTED MM CONVERSION, WAS .395/9.65				molex	
GENERAL TOLERANCES (UNLESS SPECIFIED)				EC NO: 739179		RING TONGUE TERMINAL VERSAKRIMP 6 AWG			
4 PLACES ±		±		DRWN: DEANNM1		2023/02/17		PRODUCT CUSTOMER DRAWING	
3 PLACES ±		± 0.005		CHK'D: JMACNEIL		2023/02/17		DOCUMENT NUMBER	
2 PLACES ±		± 0.13		APPR: JMACNEIL		2023/02/17		SD-19193-015	
1 PLACE ±		±		INITIAL REVISION:		2000/11/01		DOC TYPE DOC PART REVISION	
0 PLACES ±		±		DRWN: EDB		2000/11/01		PSD 001 C1	
ANGULAR TOL ±		± 0.5°		APPR: RWD				MATERIAL NUMBER CUSTOMER SHEET NUMBER	
DRAFT WHERE APPLICABLE MUST REMAIN WITHIN DIMENSIONS				THIRD ANGLE PROJECTION		DRAWING B-SIZE		SERIES 19193	
						SEE TABLE		GENERAL MARKET	
								1 OF 1	