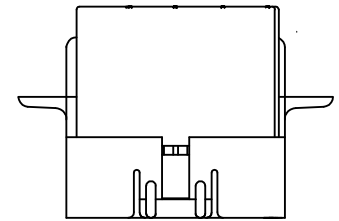
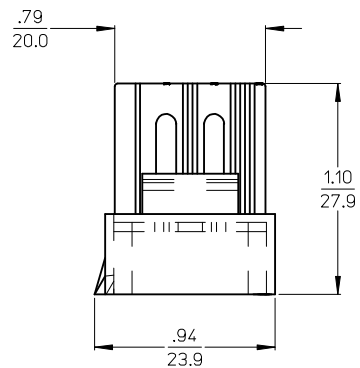
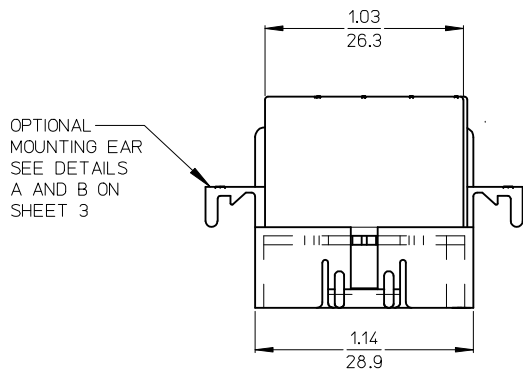
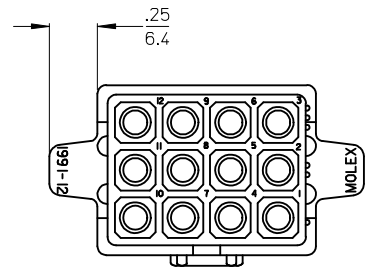
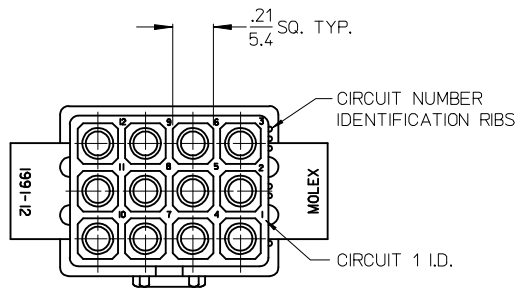
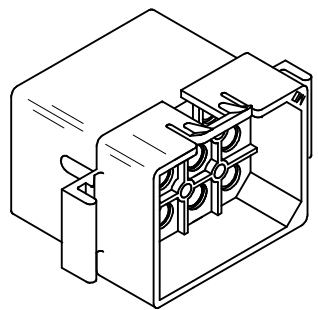
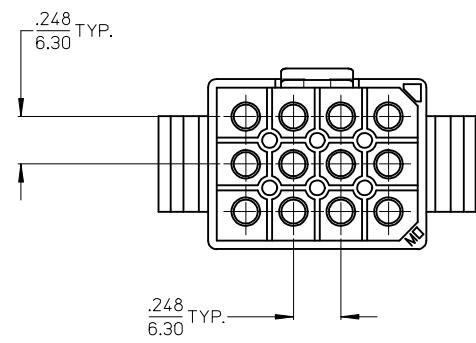


# PLUG

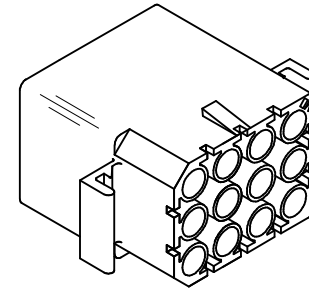
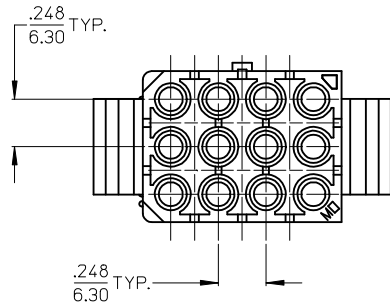
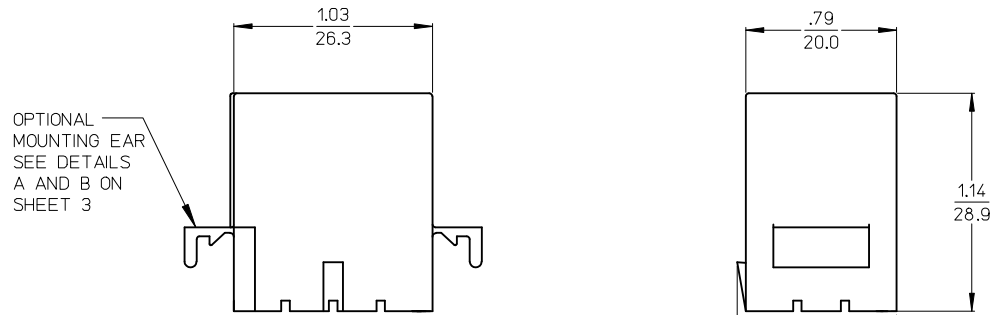
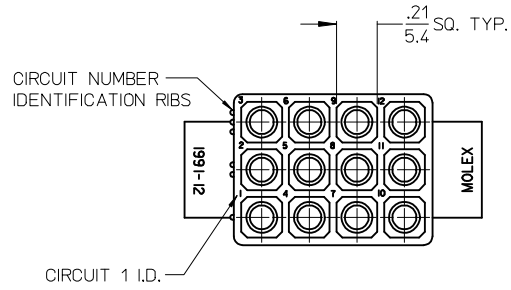


OPTIONAL PULL TAB  
1991-12PBK SHOWN



REMOVE -12P, -12R2 EC NO: UCP2014-3949 DRWIN/KIPPER 2014/03/28 CHKD:ANDERSON 2014/03/28 APPR:FSMITH 2014/06/10	QUALITY SYMBOLS	GENERAL TOLERANCES (UNLESS SPECIFIED)		DIMENSION STYLE IN/MM		SCALE 2:1	DESIGN UNITS INCH	THIRD ANGLE PROJECTION	
	▽=0	mm	INCH	DRAWN BY KBW	DATE 1989/04/25	TITLE .093/(2.36) HOUSINGS PLUG & RECEPTACLE 12 CKT .248/(6.30) CENTERS <b>molex</b> DOCUMENT NO. SD-1991-12* SHEET NO. 1 OF 3			
	▽=0	4 PLACES ± --- ± ---	3 PLACES ± --- ± .010	CHECKED BY RW	DATE 1989/04/25				
	▽=0	2 PLACES ± 0.25 ± .014	1 PLACE ± 0.35 ± ---	APPROVED BY FSMITH	DATE 2014/06/10				
	▽=0	0 PLACE ± --- ± ---	ANGULAR ±1/2°						
REV 1	DRAFT WHERE APPLICABLE MUST REMAIN WITHIN DIMENSIONS		SIZE C	THIS DRAWING CONTAINS INFORMATION THAT IS PROPRIETARY TO MOLEX INCORPORATED AND SHOULD NOT BE USED WITHOUT WRITTEN PERMISSION					

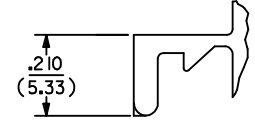
# RECEPTACLE



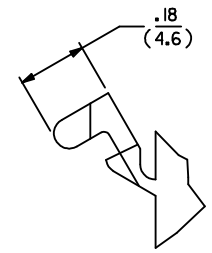
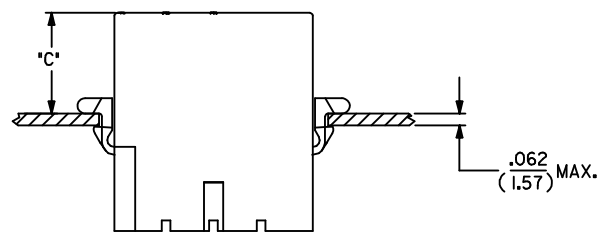
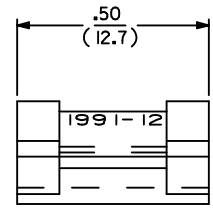
SEE SHEET 1 EC NO: UCP2014-3949 DRAWN: KIPPER 2014/03/28 CHKD: BANDERSON 2014/03/28 APPR: FSMITH 2014/06/10	QUALITY SYMBOLS ▽=0 ▽=0 ▽=0	GENERAL TOLERANCES (UNLESS SPECIFIED)		DIMENSION STYLE IN/MM		SCALE 2:1	DESIGN UNITS INCH	THIRD ANGLE PROJECTION	
		4 PLACES ± --- ± --- 3 PLACES ± --- ± .010 2 PLACES ± 0.25 ± .014 1 PLACE ± 0.35 ± --- 0 PLACE ± --- ± ---	mm INCH ± --- ± --- ± .010 ± .014 ± 0.35 ± --- ± --- ± ---	DRAWN BY KBW	DATE 1989/04/25	TITLE .093/(2.36) HOUSINGS PLUG & RECEPTACLE 12 CKT .248/(6.30) CENTERS			
REV E1	DESCRIPTION	ANGULAR ±1/2°		MATERIAL NO. SEE CHART		DOCUMENT NO. SD-1991-12*		SHEET NO. 2 OF 3	
		DRAFT WHERE APPLICABLE MUST REMAIN WITHIN DIMENSIONS		SIZE C		THIS DRAWING CONTAINS INFORMATION THAT IS PROPRIETARY TO MOLEX INCORPORATED AND SHOULD NOT BE USED WITHOUT WRITTEN PERMISSION			

PLUG		
ORDER NO	ENG NO	PKG. INFORMATION
I9-09-2 I22	I991-I2P2	PK-1991-002
I9-09-7 I21	I991-I2PBK	PK-1991-001
- -	- -	- -
- -	- -	- -

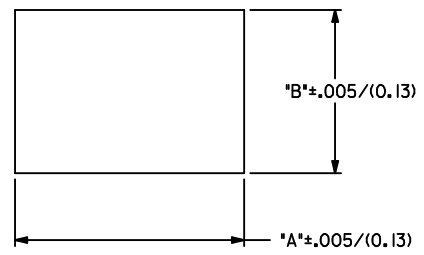
RECEPTACLE		
ORDER NO	ENG NO	PKG. INFORMATION
I9-09-1 I22	I991-I2R1	PK-1991-002
I9-09-6 I21	I991-I2R2BK	PK-1991-001
I9-09-6 I22	I991-I2R1BK	PK-1991-001
- -	- -	- -
- -	- -	- -



**DETAIL A**  
STANDARD MOUNTING EAR  
(SCALE 4:1)



**DETAIL B**  
PREBENT MOUNTING EAR  
(SCALE 4:1)

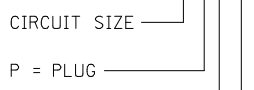


RECOMMENDED PANEL OPENING

HOUSING	DIM. *A*	DIM. *B*	*C* PREBENT EAR	*C* STANDARD EAR
PLUG	1.300/(33.02)	.910/(23.11)	.31/(7.9)	.30/(7.6)
RECEPT.	1.194/(30.33)	.850/(21.60)	.54/(13.7)	.53/(13.5)

PLUG LEGEND

I991-I2\*\*\*\*



CIRCUIT SIZE  
P = PLUG

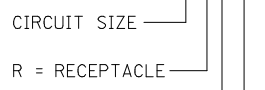
BLANK = WITH PULL TABS  
1 = WITHOUT EARS/WITHOUT PULL TABS  
2 = WITH STANDARD EARS  
3 = WITH PREBENT EARS

COLOR: \_\_\_\_\_

BLANK = NATURAL COLOR  
AM = AMBER BK = BLACK BU = BLUE  
BN = BROWN GY = GRAY GN = GREEN  
OR = ORANGE RD = RED YW = YELLOW

RECEPTACLE LEGEND

I991-I2\*\*\*\*



CIRCUIT SIZE  
R = RECEPTACLE

1 = WITHOUT EARS  
2 = WITH STANDARD EARS  
3 = WITH PREBENT EARS

COLOR: \_\_\_\_\_

BLANK = NATURAL COLOR  
AM = AMBER BK = BLACK BU = BLUE  
BN = BROWN GY = GRAY GN = GREEN  
OR = ORANGE RD = RED YW = YELLOW

- NOTES:
1. MATERIAL: NYLON TYPE 6/6, 94V-2
  2. FINISH: N/A
  3. PRODUCT SPECIFICATION: PS-02-09
  4. PACKAGING INFORMATION: SEE CHART
  5. HOUSINGS FOR USE WITH MOLEX STANDARD .093/(2.36) TYPE TERMINALS.
  6. PARTS CONFORM TO CLASS B REQUIREMENTS OF COSMETIC SPECIFICATION PS-45499-002.

SEE SHEET 1 EC NO: UCP2014-3949 DRAWN: KIPPER 2014/03/28 CHKD: BANDESON 2014/03/28 APPR: F. SMITH 2014/06/10	QUALITY SYMBOLS ▽=0 ▽=0 ▽=0	GENERAL TOLERANCES (UNLESS SPECIFIED)		DIMENSION STYLE IN/MM		SCALE 2:1	DESIGN UNITS INCH	THIRD ANGLE PROJECTION		
		mm		INCH		DRAWN BY KBW	DATE 1989/04/25	TITLE .093/(2.36) HOUSINGS PLUG & RECEPTACLE 12 CKT .248/(6.30) CENTERS		
		4 PLACES ± --- ± ---		3 PLACES ± --- ± .010		CHECKED BY RW	DATE 1989/04/25			
		2 PLACES ± 0.25 ± .014		1 PLACE ± 0.35 ± ---		APPROVED BY F. SMITH		DATE 2014/06/10		
0 PLACE ± --- ± ---		ANGULAR ±1/2°		MATERIAL NO.		DOCUMENT NO.		SHEET NO.		
DRAFT WHERE APPLICABLE MUST REMAIN WITHIN DIMENSIONS		SEE CHART		SD-1991-12*		3 OF 3				
THIS DRAWING CONTAINS INFORMATION THAT IS PROPRIETARY TO MOLEX INCORPORATED AND SHOULD NOT BE USED WITHOUT WRITTEN PERMISSION										