

RoHS COMPLIANT

Electrical Characteristics

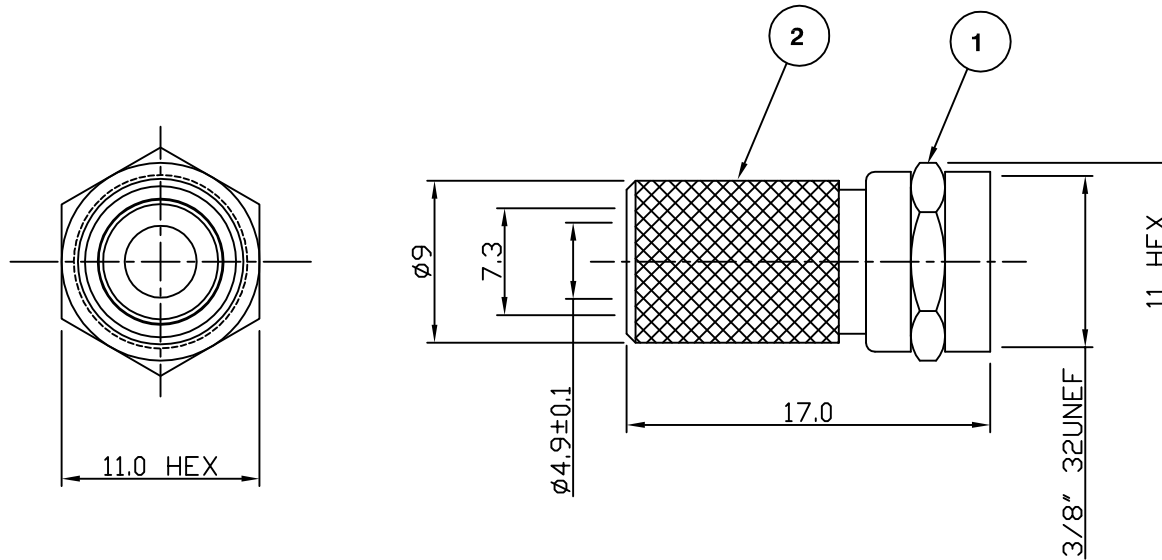
Nominal Impedance: Non Constant
 Frequency Range: DC to 2 GHz
 VSWR: 1.35:1 maximum
 Insertion Loss: 0.2 dB at 2 GHz
 Operating Voltage (rms): 250 V maximum at sea level
 Dielectric Withstand Voltage (rms): 1500 V maximum at sea level
 Contact Resistance: 3.0 milliohms maximum
 Insulation Resistance: 5000 megohms minimum

Mechanical Characteristics

Mating Cycles: 50 cycles (subject to cable)
 Interface Dimensions: Conform to MIL-C-39012

Environmental Characteristics

Temperature Range: -65 °C to +165 °C



	PART	DESCRIPTION
1	Coupling Nut	Zinc, nickel plated 2.54 μm
2	Body	Brass, nickel plated 2.54 μm

CAD Issue	SN	2	14 Nov 01
First Issue	AT	1	03 Dec 98
DESCRIPTION OF REVISION	APPVD	ISS	DATE

For stripping and assembly instructions see Drawing Number: VAIF1301



Cinch Connectivity Solutions
 7-13 Russell Way,
 Widford Industrial Estate,
 Chelmsford, Essex,
 CM1 3AA, UK.
 Tel: +44 (0) 1245 359515
 Fax: +44 (0) 1245 358938

SCALE: Not To Scale

DIMENSIONS: mm

TOLERANCES:
 ± 0.2mm unless
 otherwise stated

DRAWN BY:

S Nash

CHECKED BY:

M Nielsen

APPROVED BY:

P Couzens

DATE:

14 Nov 01

TITLE:

**Twist-on F Plug For H47,
 RA521 Cable**

PART NUMBER:

TOF5C2V

PAGE: 1 of 1