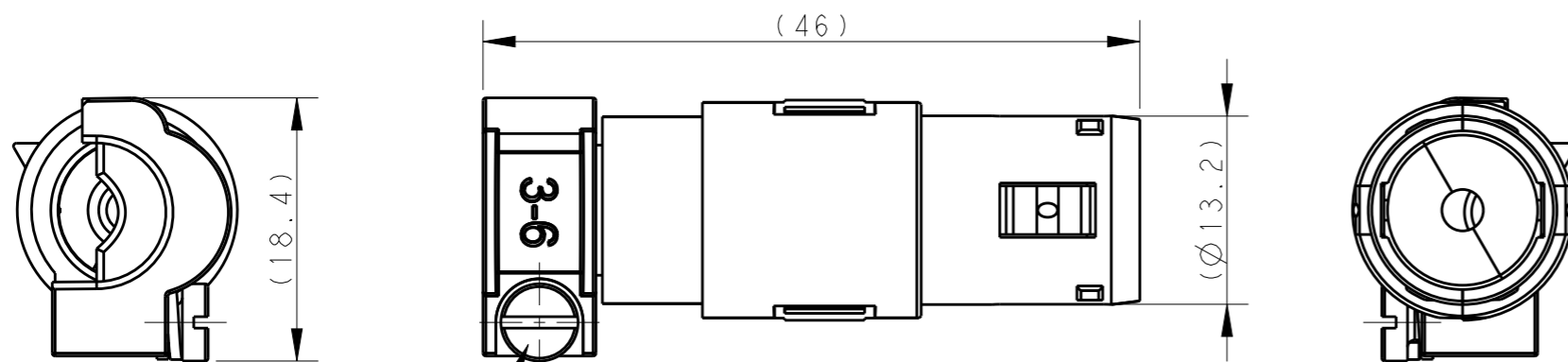


REVISIONS

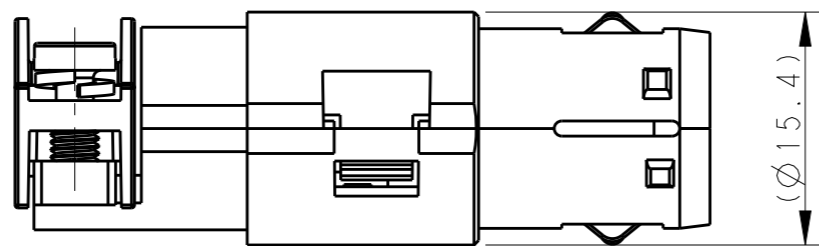
P	LTR	DESCRIPTION	DATE	DWN	APVD
	A	INITIAL RELEASE	26AUG2016	DW	CW
	A1	ECR-17-009384	25DEC2017	RL	CW

ASSEMBLY STATE OF THE PRODUCT, FOR REFERENCE
 产品装配状态, 供参考



M3 SCREW, RECOMMENDED
 TIGHTENING TORQUE 0.5 Nm
 M3螺丝, 推荐锁紧力矩 0.5 Nm

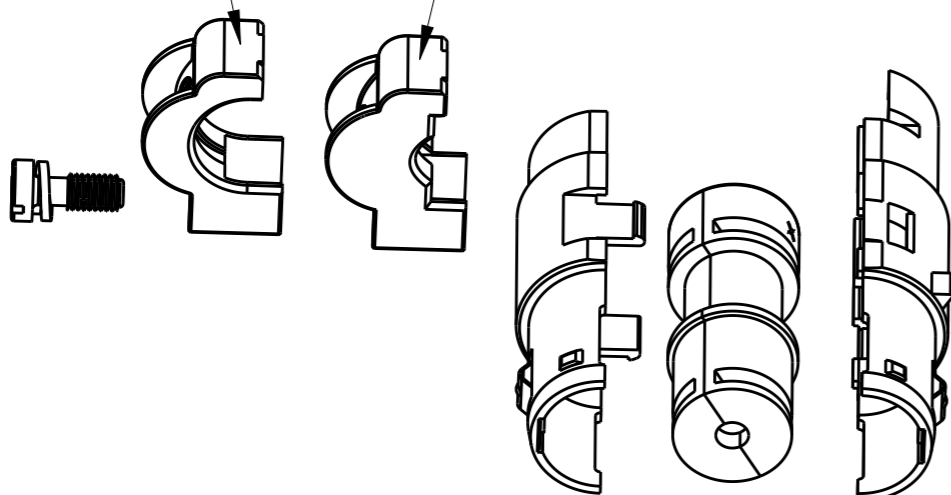
- NOTES:
- TECHNICAL CHARACTERISTICS:
 INSULATION MATERIAL: PC
 RATED VOLTAGE: 50V
 RATED CURRENT: 16A
 RATED IMPULSE VOLTAGE: 0.8KV
 POLLUTION DEGREE: 3
 FLAMMABILITY: UL94V-0
 WIRE RANGE: 0.14-4.0 mm² (26-12 AWG)
 CONTACT TYPE: CRIMP CONTACT
 - CONTACT NEED TO BE ORDERED SEPARATELY.
 (ORDER No. REFER TO DRAWING: T20300X20XX000)



- 注释:
- 技术参数:
 绝缘材料: PC
 额定电压: 50V
 额定电流: 16A
 额定脉冲电压: 0.8KV
 污染等级: 3
 阻燃等级: UL94V-0
 接线范围: 0.14-4.0 mm² (26-12 AWG)
 接线类型: 冷压接
 - 端子需要单独订购.
 (订货号参考图面: T20300X20XX000)

FOR Ø6-9.5mm CABLE
 用于直径Ø6-9.5mm 电缆线

FOR Ø3-6mm CABLE
 用于直径Ø3-6mm 电缆线



T2580012154-000	PIN-Q1-F	QUINTAX FEMALE CONTACT 1-POS QUINTAX 1-POS母针
PART NUMBER 料号	PART DESCRIPTION 描述	

THIS DRAWING IS A CONTROLLED DOCUMENT.		DWN 26AUG2016 DAVID WANG	TE Connectivity			
DIMENSIONS: mm		CHK 26AUG2016 CHRIS WANG				
TOLERANCES UNLESS OTHERWISE SPECIFIED:		APVD 26AUG2016 XIANG XU	NAME QUINTAX FEMALE CONTACT 1-POS PIN-Q1-F			
0 PLC ±-		PRODUCT SPEC 108-137067	SIZE A3	CAGE CODE 00779	DRAWING NO T2580012154000	RESTRICTED TO -
1 PLC ±-		APPLICATION SPEC 114-137067	SCALE 2:1			
2 PLC ±-		WEIGHT -	SHEET 1 OF 1			
3 PLC ±-		Customer Drawing	REV A1			
4 PLC ±-						
ANGLES ±-						
FINISH -						
-						