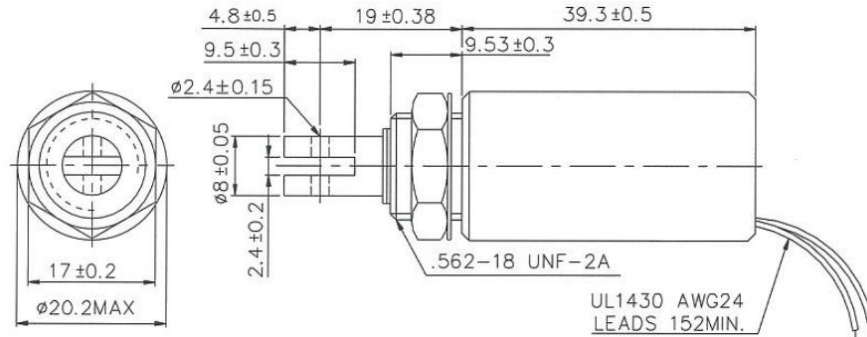
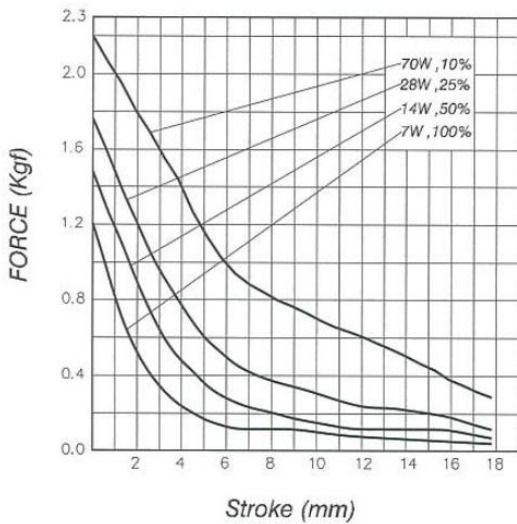


SMT - 1939L

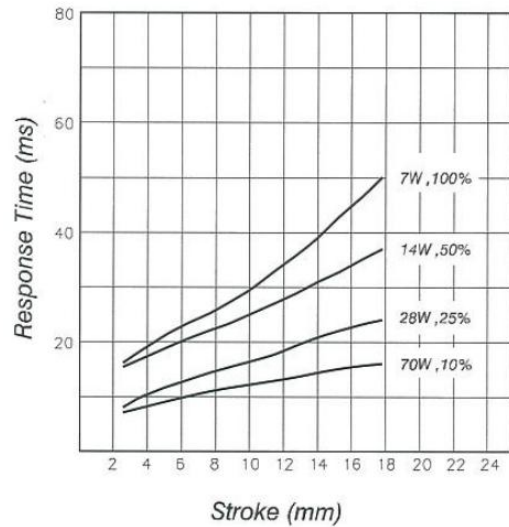
Mechanical Drawing



Stroke / Force Curve



Stroke / Response Time Curve



Stroke / Force Technical Data

Duty cycle (%) = $\frac{\text{"ON" time}}{\text{ON time} + \text{OFF time}} \times 100\%$		100%	50%	25%	10%
		Continuous	Intermittent		
MAX On time/S		∞	230	25	6
Power@20°C		7	14	28	70
Type Number	Resistance (20°C) Ω±10%	Volts DC (V)			
SMO-1939L-06AA	5.14	6	8.5	12	19
SMO-1939L-12AA	20.6	12	17	24	38
SMO-1939L-24AA	82.3	24	34	48	76
SMO-1939L-48AA	329	48	68	96	152