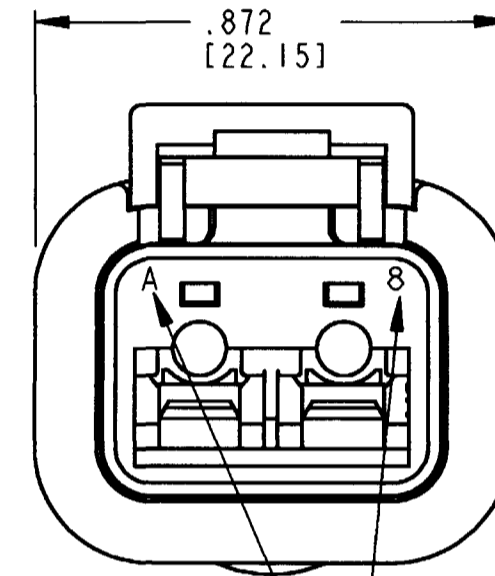
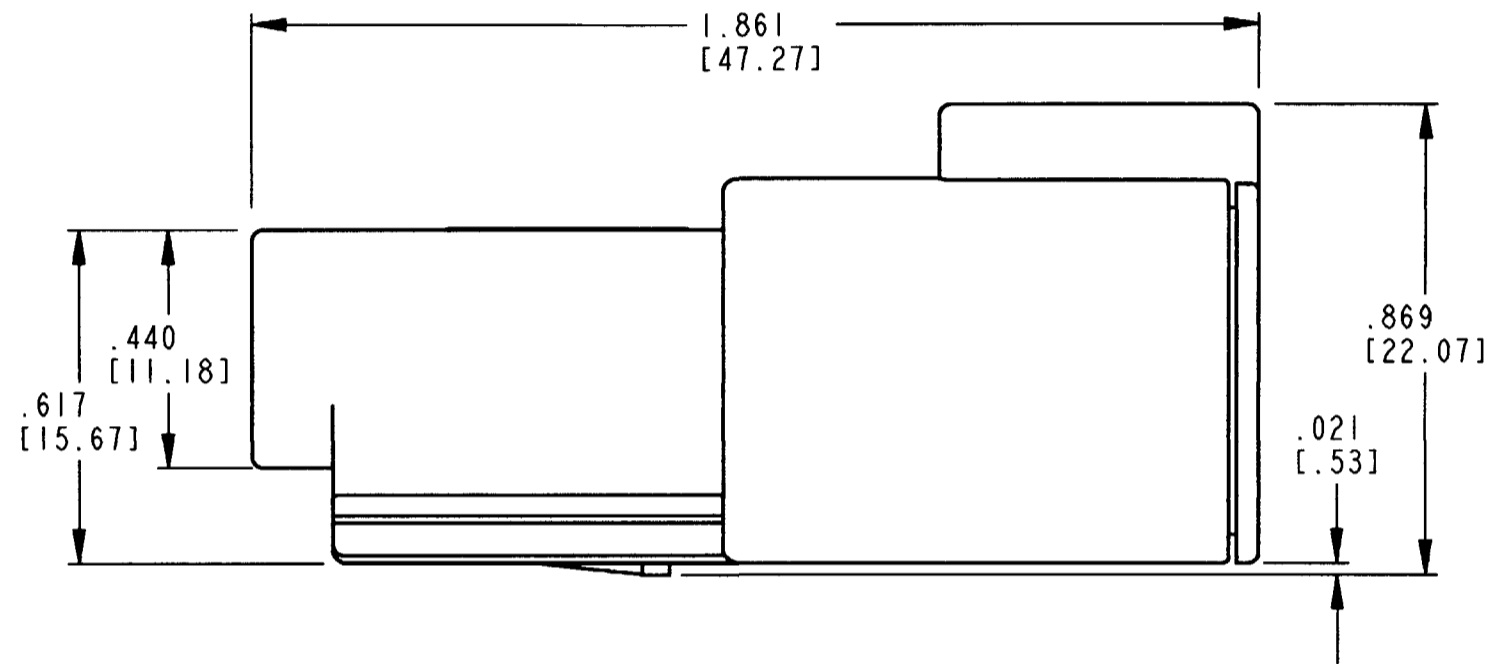
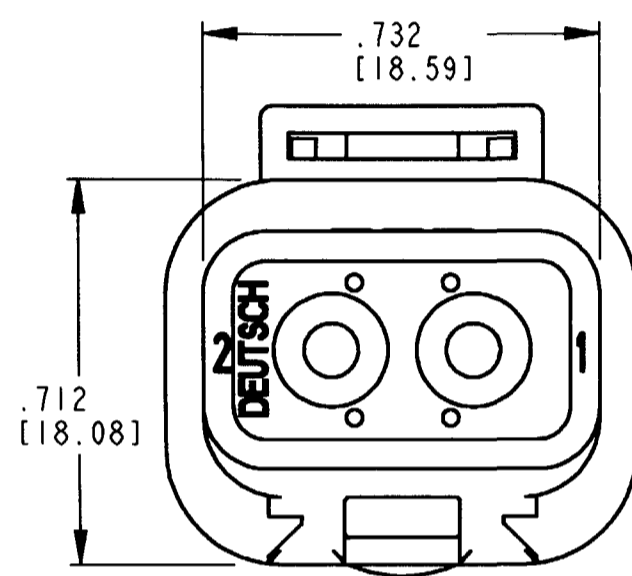


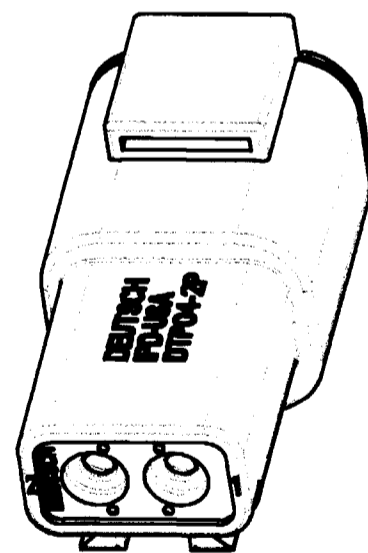
REV NC DTP04-2P-E004

REVISIONS			
SYM	DESCRIPTION	DATE	APPROVED
NC	NEW RELEASE PER E.O. P17711	4-4-02	RDR



DATE CODE: MONTH IS REPRESENTED BY SEQUENTIAL ALPHA CHARACTERS. EX: A=JANUARY; YEAR IS REPRESENTED BY LAST NUMERICAL DIGIT. EX: 8=2008

- 6. MATERIAL: HOUSING/SLEEVE: PLASTIC  
GROMMET/SEAL: RUBBER
  - 5. THIS RECEPTACLE MATES WITH DTP06-2S-\*\*\*\* PLUG.  
(\*\*\*\* = ALL MODIFICATIONS)
  - 4. FOR CONTACT AND WIRE PERFORMANCE AND APPLICATION CHARACTERISTICS SEE ENVELOPE DRAWING 0425-015-0000.
  - 3. SECONDARY WEDGE LOCK SOLD SEPARATELY, WP-2P.
  - 2. DIMENSION TOLERANCE: ±.025 [.64].
  - 1. DIMENSIONS ARE IN INCHES [mm].
- NOTES: UNLESS OTHERWISE SPECIFIED



3D VIEW

CONTACT SIZE	MIN. INSUL. O.D.	MAX INSUL. O.D.	WIRE RANGE [mm <sup>2</sup> ] REF ONLY
12	.134 [3.40]	.170 [4.32]	10-14 AWG [5.0-2.0]

SIGNATURE & DATE	
DR	D. MEYER 04/04/02
CHK	S. Band 4/4/02
PE	D. Meyer 4/4/02
APPD	R. Reed 4-4-02
SCALE	NONE WT

RECEPTACLE  
2 CONTACTS, SIZE 12  
COLOR: BLACK  
DTP SERIES

ENVELOPE

CP	MATL. CODE
<b>The Deutsch Company</b> DEUTSCH I.P.D. 3850 INDUSTRIAL AVE. HEMET, CALIF. 92545	
<b>B</b>	<b>DTP04-2P-E004</b>
DWG SIZE	CODE 11139 SHEET   OF