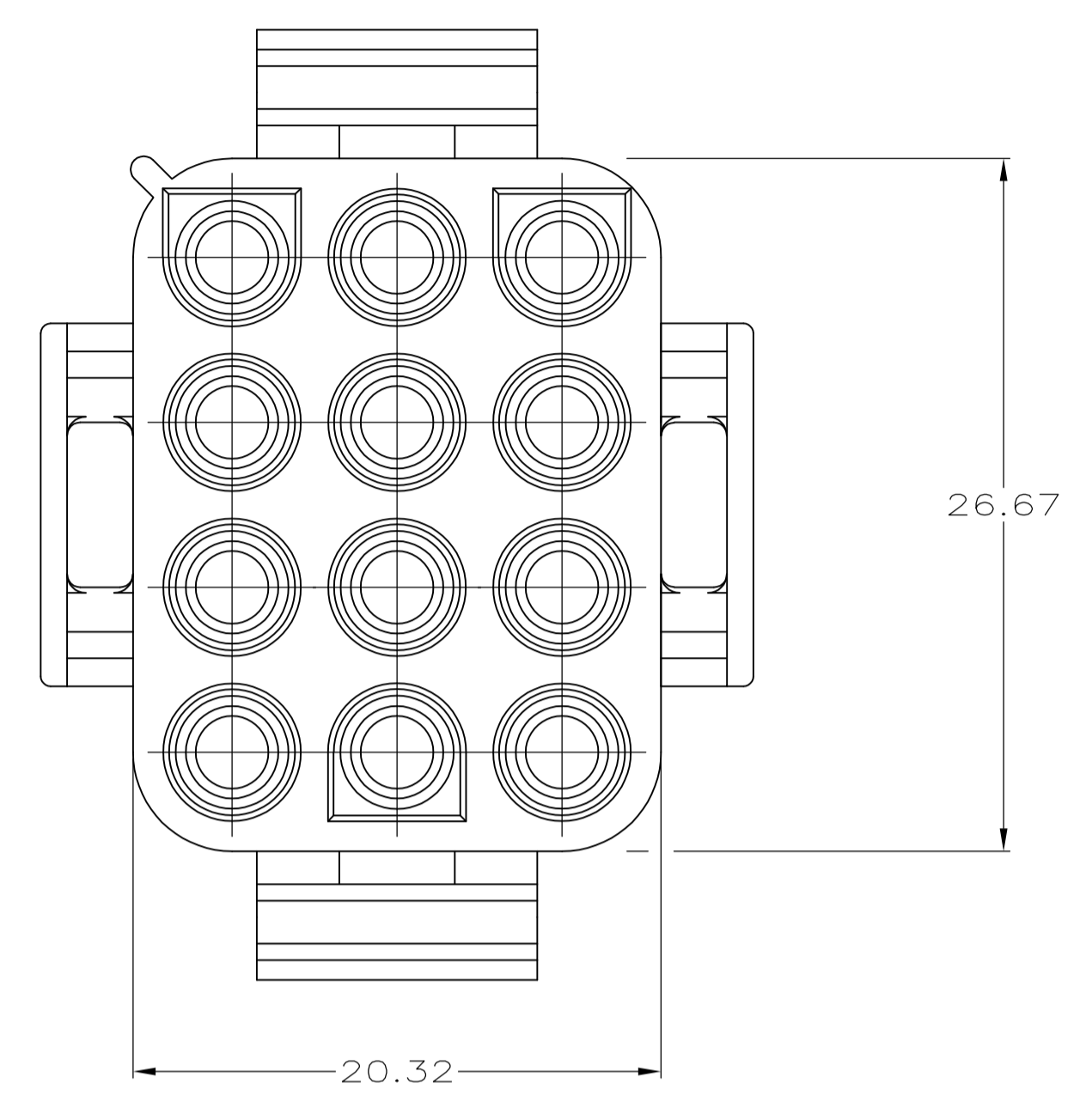
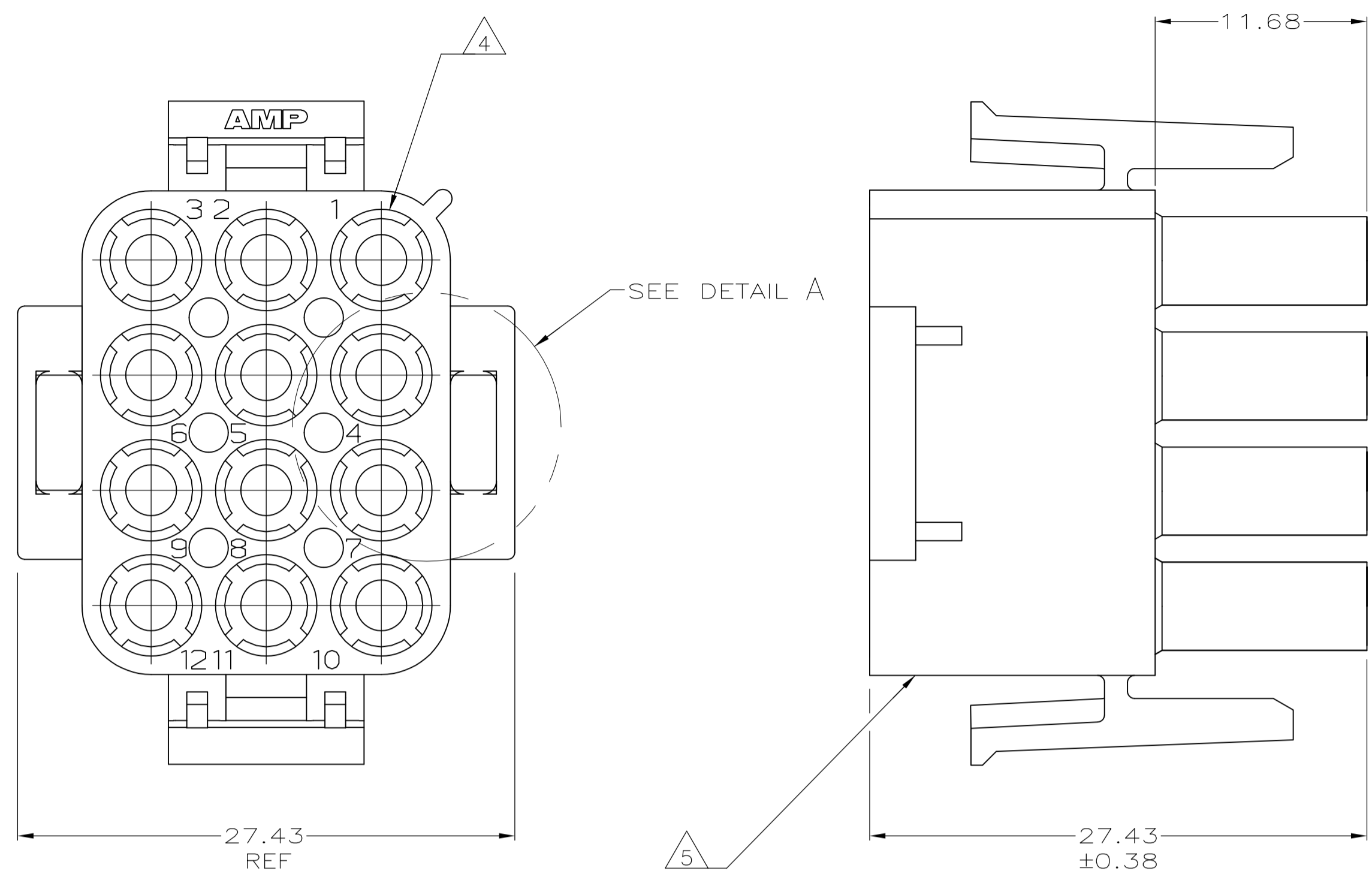
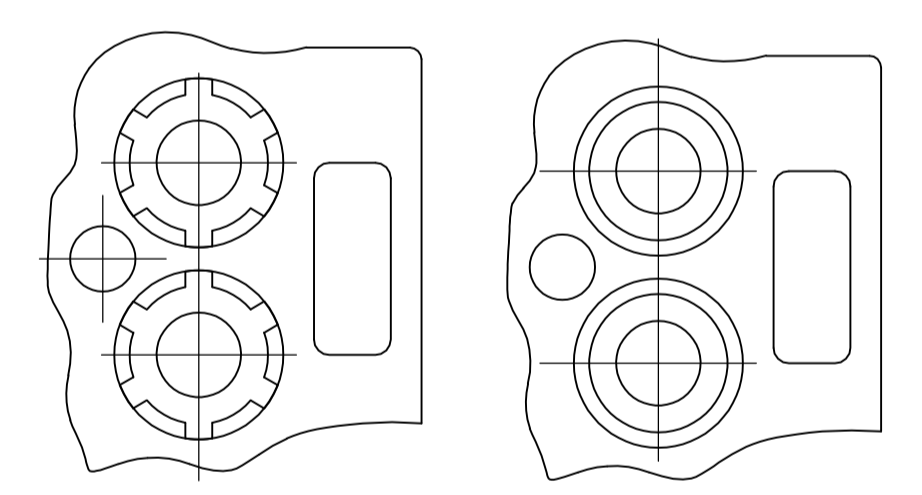
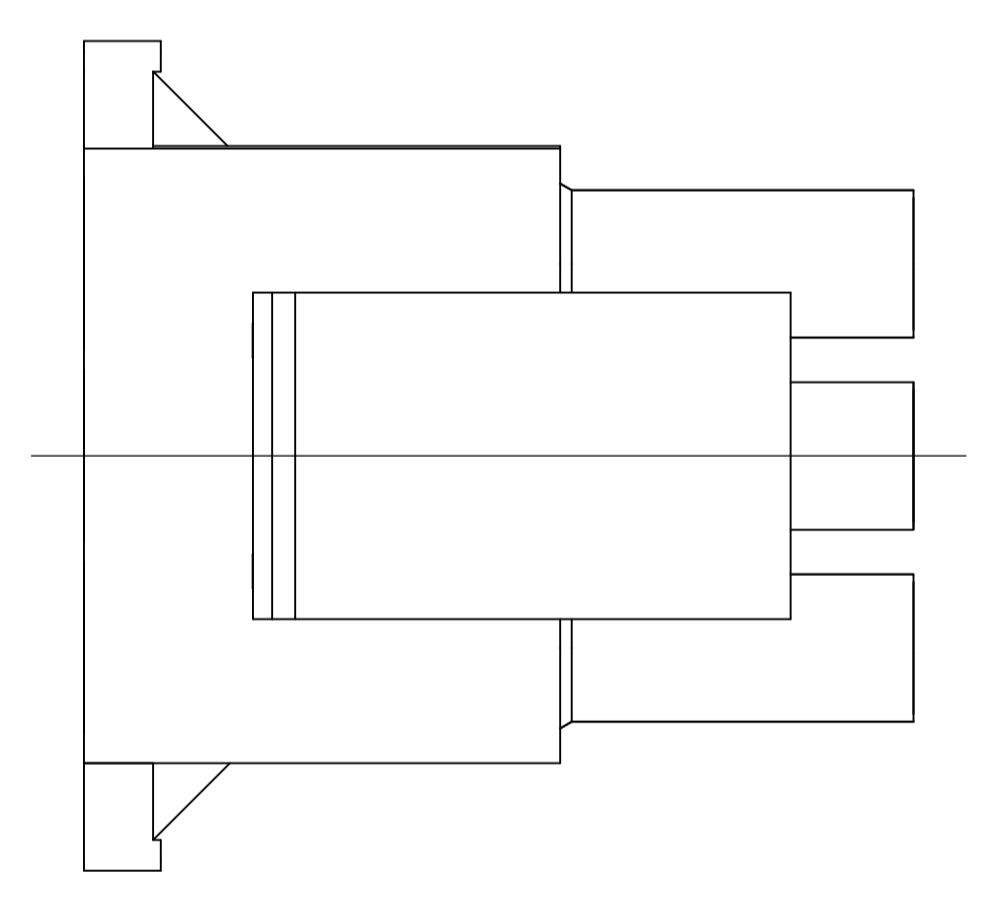


REVISIONS					
REV	DATE	DESCRIPTION	BY	CHK	APPV
B2	23AUG2017	REVISED PER ECO-17-011927	RS	KR	

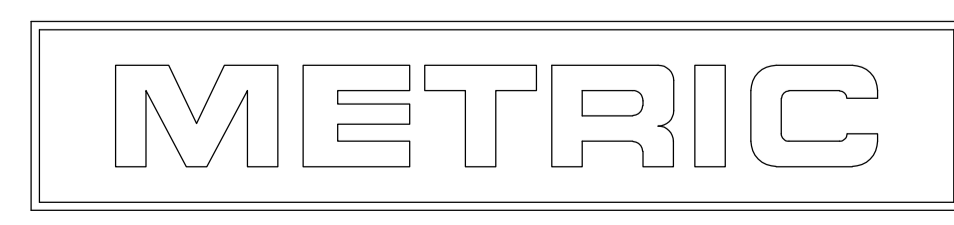


- 1 MATES WITH APPROPRIATE UNIVERSAL MATE-N-LOK™ CAP OR HEADER.
- 2 SMALL NICKS ARE PERMITTED ON THE CIRCUIT TOWERS WHICH COULD INCREASE THE INITIAL HOUSING MATING FORCE BY UP TO 4.4 NEWTONS [1.0 LBS]. NO INDIVIDUAL NICKED TOWER SHALL INCREASE THIS FORCE BY OVER 2.2 NEWTONS [.5 LBS].
- 3 DIMENSIONS SHOWN REPRESENT PRODUCT IN DRY, AS MOLDED CONDITION ADDITIONAL 2% GROWTH DUE TO SUBSEQUENT MOISTURE ABSORPTION MAY OCCUR AND SHOULD BE ACCOUNTED FOR.
- 4 FOUR RIBS EQUALLY SPACED, NO SPECIFIC ORIENTATION. NO RIBS OR SIX RIBS EQUALLY SPACED, NO SPECIFIC ORIENTATION, OPTIONAL.
- 5 UNDERWRITERS RECOGNIZED COMPONENT LOGO AND CSA CERTIFICATION LOGO TO BE LOCATED ONCE EACH ON SIDE OF HOUSING.
- 6 150° C TEMPERATURE RATING FOR THIS HOUSING IS FOR SHORT TERM DURATION. MAX OPERATING TEMPERATURE REMAINS 125° C.
- 7 PHOSPHOR BRONZE CONTACTS SHOULD ALWAYS BE USED WITH THIS HOUSING.



MM	IN
27.43	1.080
26.67	1.050
20.32	.800
11.68	.460
0.38	.015
0.13	.005

CONVERSION TABLE
4805 (1/15)



THIS DRAWING IS A CONTROLLED DOCUMENT.		DWG: K. WHITAKER 16-MAY-2001	BLACK 794851-1	
DIMENSIONS: INCHES		CHK: S. RIDGILL 16-MAY-2001	Material Part Number	
TOLERANCES UNLESS OTHERWISE SPECIFIED:		APPV: S. RIDGILL 16-MAY-2001	NAME: PLUG, 12 CIRCUIT, UNIVERSAL MATE-N-LOK	
0. PLC ± -	1. PLC ± -	PRODUCT SPEC	SIZE: A1	
2. PLC ± 0.13	3. PLC ± -	APPLICATION SPEC	CAGE CODE: 00779	
4. PLC ± -	ANGLES ± 0°30'	FINISH	DRAWING NO: 794851	
MATERIAL: NYLON, UL 94V-2 HIGH TEMP	FINISH: -	WEIGHT: 0.000000	RESTRICTED TO: -	
CUSTOMER DRAWING			SCALE: 4:1	SHEET 1 OF 1