

THIS IS A C.A.D. GENERATED DRAWING  
DO NOT MAKE MANUAL REVISIONS TO MASTER.



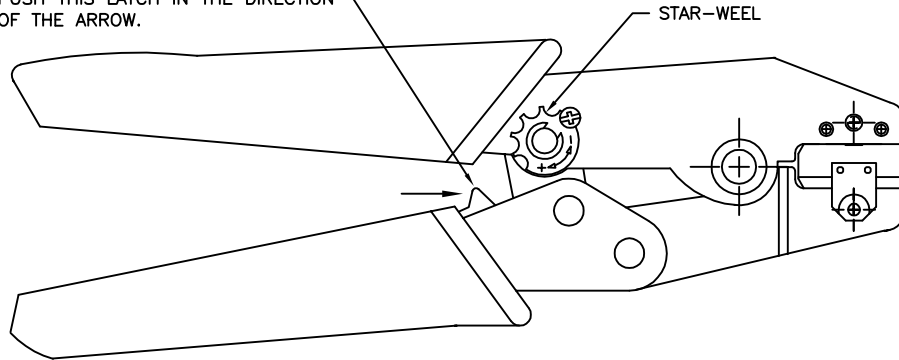
ISSUE NUMBER

ORIGINAL ①

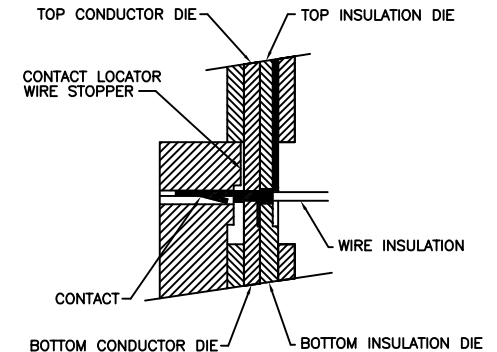
UPDATE PN TABLE  
24-28 AWG WAS 20-28

J.L. NOV.21/2022 ②

TO OPEN PARTIALLY CLOSED TOOL  
PUSH THIS LATCH IN THE DIRECTION  
OF THE ARROW.



STAR-WHEEL



SECTION THROUGH DIE NEST  
WITH CONTACT IN POSITION

NOTES:

WIRE AWG	CRIMP STRENGTH
24 AWG	6.6 LBS
26 AWG	4.4 LBS
28 AWG	2.2 LBS

- 1- THIS HAND TOOL IS DESIGNED FOR CRIMPING 24 TO 28 AWG WIRES TO EDAC CONTACT P/N 627-290-001 AND 628-292-001.
- 2- RISK OF ELECTRIC SHOCK- DO NOT USE THIS ON LIVE WIRE.
- 3- CRIMPING INSTRUCTIONS:
  - OPEN THE TOOL, PLACE THE CONTACT INTO THE CORRECT DIE NEST.
  - PARTIALLY CLOSE THE TOOL UNTIL THE CONTACT IS HELD IN PLACE. INSERT THE WIRE INTO THE CONTACT.
  - CLOSE THE TOOL UNTIL THE RATCHET RELEASES. REMOVE THE CRIMPED CONTACT.
- 4- ADJUSTMENT OF CRIMP FORCE (WHEN NECESSARY):
  - LOOSEN THE SCREW
  - ADJUST THE STAR-WHEEL BY TURNING FROM (-) TO(+).
  - CHECK THE PRELOAD AND THE CRIMP FORCE.

TOOL PART NUMBER: 628-280-201

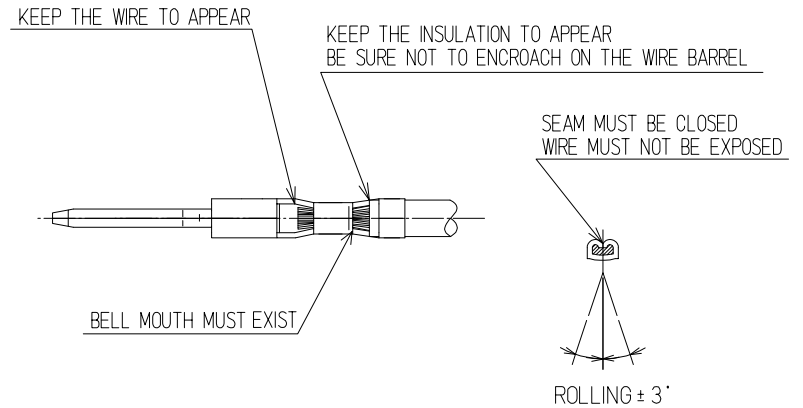
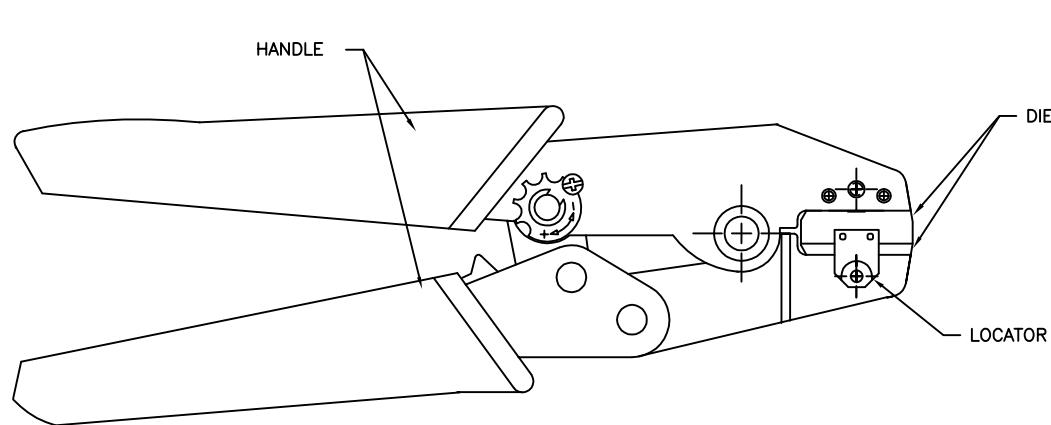
628 SERIES HAND CRIMP TOOL INSTRUCTIONS		ACAD REFERENCE NO. 628-280-201	
		DRAWN: K.L.	DATE: OCT.20/2020
EDAC INC TORONTO, ONTARIO CANADA YOUR CONNECTION TO QUALITY & SERVICE		CHECKED:	DATE:
		SCALE: N.T.S.	SHEET 1 OF 2
THESE DRAWINGS AND SPECIFICATIONS ARE THE PROPERTY OF EDAC INC., AND SHALL NOT BE REPRODUCED, OR COPIED OR USED AS THE BASIS FOR THE MANUFACTURE OR SALE OF APPARATUS WITHOUT WRITTEN PERMISSION.		DRAWING NUMBER	
		628-280-201	
		ISSUE	
		2	

THIS IS A C.A.D. GENERATED DRAWING  
DO NOT MAKE MANUAL REVISIONS TO MASTER.



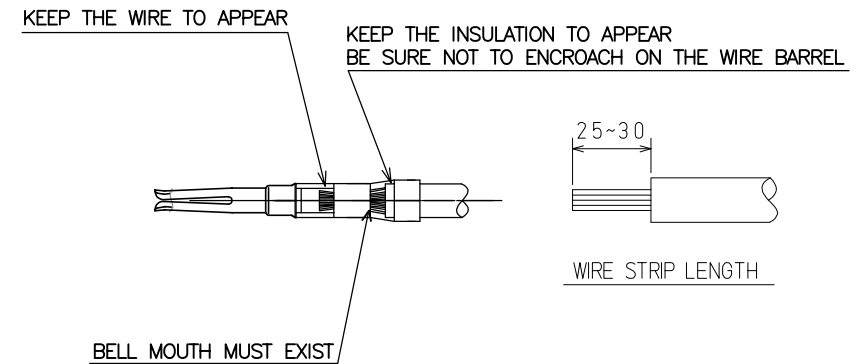
ISSUE NUMBER

SEE PAGE 1



CRIMP ASM*	HAND CRIMP TOOL	LOCATOR KIT SET
628-280-201	628-281-001	628-282-001

\* Assembly includes: Handle, Die and Locator. Parts are available for purchase separately.



## 628 SERIES HAND CRIMP TOOL INSTRUCTIONS

**EDAC** EDAC INC  
TORONTO, ONTARIO  
CANADA  
YOUR CONNECTION TO QUALITY & SERVICE

THESE DRAWINGS AND SPECIFICATIONS ARE THE PROPERTY OF EDAC INC., AND SHALL NOT BE REPRODUCED, OR COPIED OR USED AS THE BASIS FOR THE MANUFACTURE OR SALE OF APPARATUS WITHOUT WRITTEN PERMISSION.

ACAD REFERENCE NO. 628-280-201

DRAWN: K.L.

DATE: OCT.20/2020

CHECKED:

DATE:

SCALE: N.T.S.

SHEET 2 OF 2

DRAWING NUMBER

628-280-201

ISSUE

2