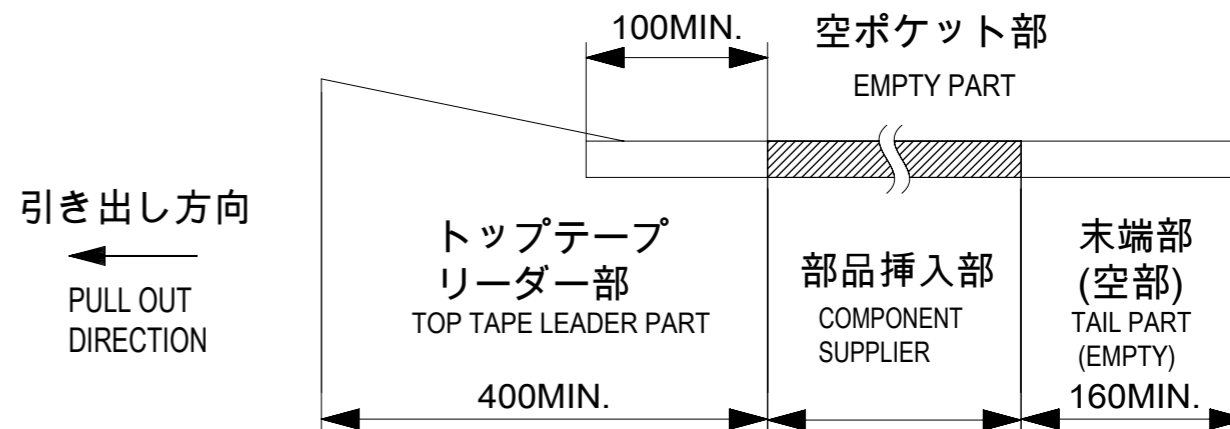


NOTES

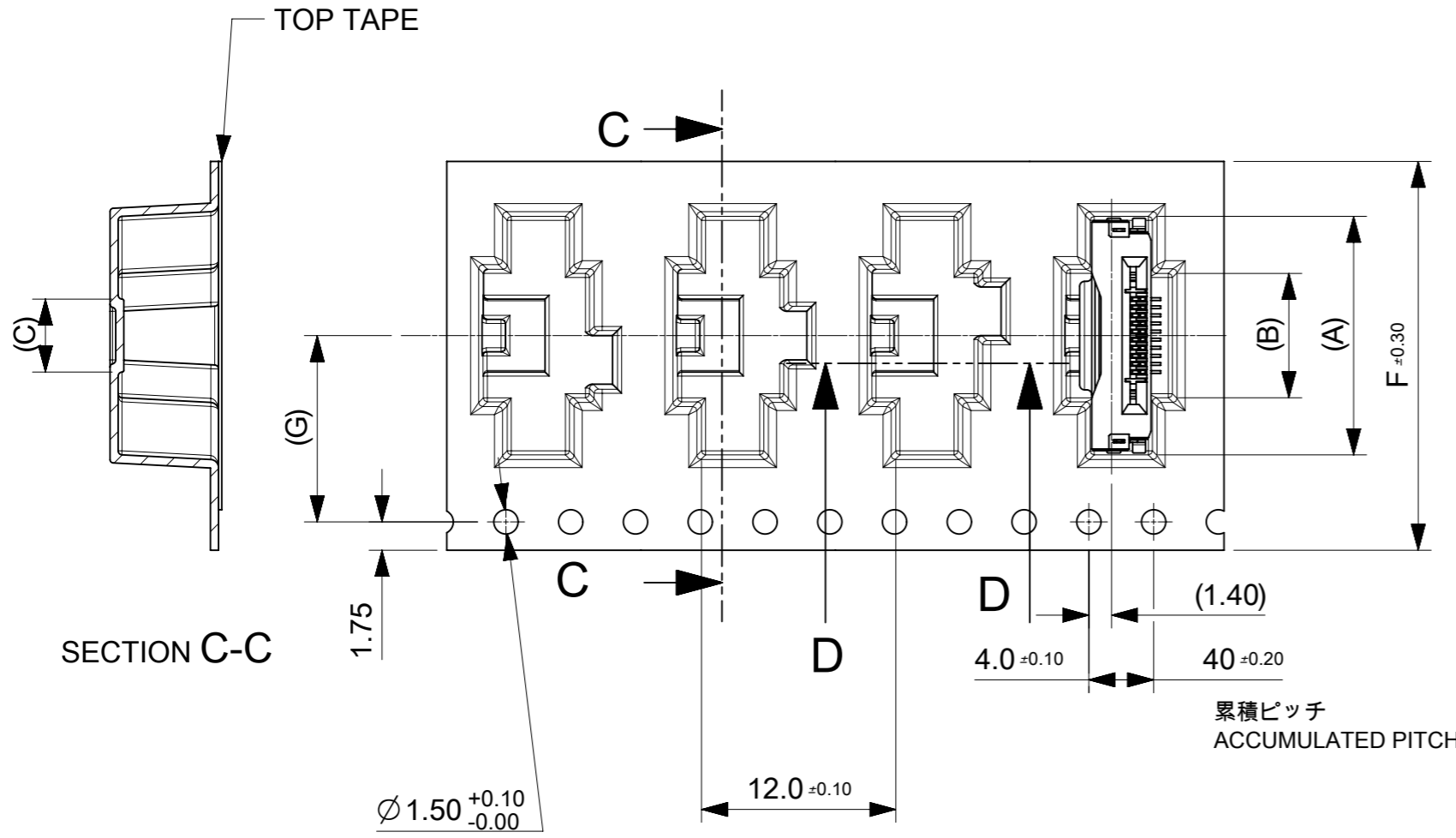
- 梱包数量 : 1200個 / リール
NUMBER OF CONNECTORS : 1200 PCS/REEL.
- リードテープ長さ
LEAD TAPE LENGTH



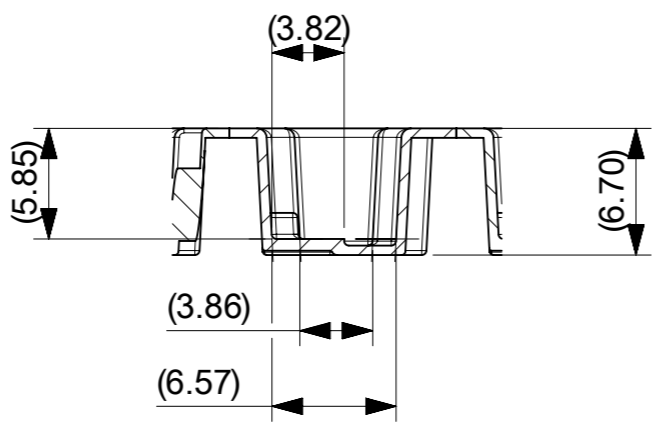
- カバーテープの剥離強度については、IEC60286-3に準拠。
TOP TAPE PEEL FORCE IS DEFINED BY IEC 60286-3.
- 製品詳細寸法については、図面 2004851100を参照下さい。
FOR DIMENTIONS OF PRODUCT, REFER TO 2004851100
- 材料 MATERIAL
キャリアテープ : ポリスチレン
CARRIER TAPE : POLYSTYRENE
トップテープ : ポリエチレンテレフタレート、ポリエチレン
TOP TAPE : POLYETHYLENE TEREHTHALATE, POLYETHYLENE
リール : ポリスチレン<リサイクル材を含む>
REEL: POLYSTYRENE RECYCLED MATERIAL CONTAINED
- ELV及びRoHS適合品 ELV AND RoHS COMPLIANT.

THIS DRAWING CONTAINS INFORMATION THAT IS PROPRIETARY TO MOLEX ELECTRONIC TECHNOLOGIES, LLC AND SHOULD NOT BE USED WITHOUT WRITTEN PERMISSION		CURRENT REV DESC:		molex	
DIMENSION UNITS	SCALE				
mm	NTS			EMB PKG ONE-TOUCH ST HT	
GENERAL TOLERANCES (UNLESS SPECIFIED)				PRODUCT CUSTOMER DRAWING	
ANGULAR TOL	± 1.0 °			DOCUMENT NUMBER	
4 PLACES	± 0.1	EC NO: 648126		2004850100	
3 PLACES	± 0.1	DRWN: TYAMANE 2020/10/15		DOC TYPE	
2 PLACES	± 0.1	CHK'D: YMATSUMOTO 2020/10/30		PSD	
1 PLACE	± 0.1	APPR: SHOSHIKAWA 2020/11/02		DOC PART	
0 PLACES	± 0.1	INITIAL REVISION:		000	
DRAFT WHERE APPLICABLE MUST REMAIN WITHIN DIMENSIONS		DRWN: TYAMANE 2018/10/04		REVISION	
THIRD ANGLE PROJECTION		APPR: SHOSHIKAWA 2020/06/08		B	
DRAWING		SERIES		SHEET NUMBER	
A3-SIZE		200485		1 OF 3	
MATERIAL NUMBER		CUSTOMER			
SEE TABLE		GENERAL			

引き出し方向
PULL OUT
DIRECTION



累積ピッチ
ACCUMULATED PITCH



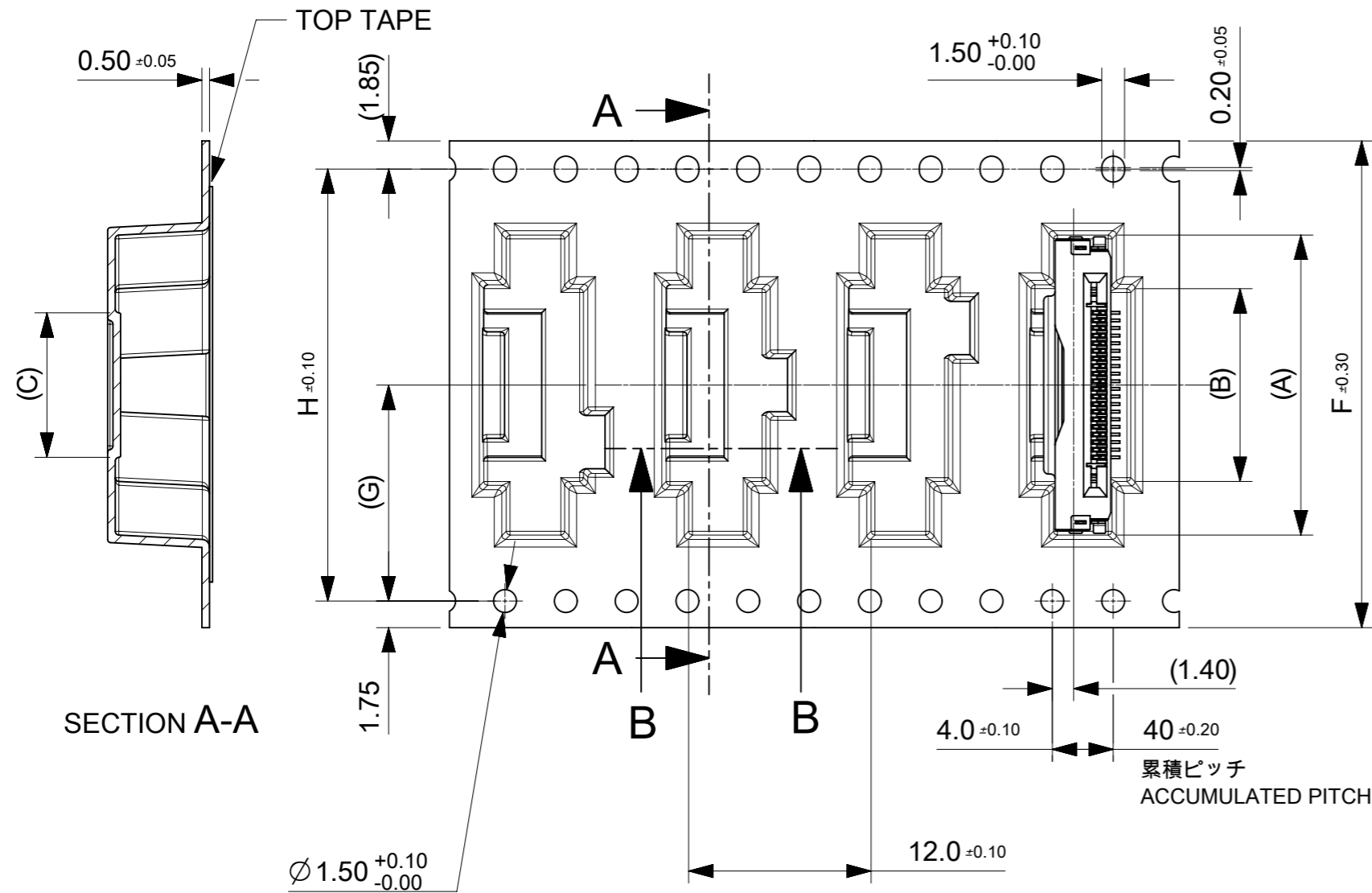
SECTION D-D

11.5	24	29.4	25.4	4.5	7.65	14.7	2004850110	10
G	F	E	D	C	B	A	EMBOSSED PACKAGE	Ckt
							オーダー番号 ORDER NO.	

THIS DRAWING CONTAINS INFORMATION THAT IS PROPRIETARY TO MOLEX ELECTRONIC TECHNOLOGIES, LLC AND SHOULD NOT BE USED WITHOUT WRITTEN PERMISSION											
DIMENSION UNITS		SCALE		CURRENT REV DESC:						molex	
mm		NTS									
GENERAL TOLERANCES (UNLESS SPECIFIED)				EC NO: 648126						EMB PKG ONE-TOUCH ST HT	
ANGULAR TOL ± 1.0 °				DRWN: TYAMANE 2020/10/15						PRODUCT CUSTOMER DRAWING	
4 PLACES ± 0.1				CHK'D: YMATSUMOTO 2020/10/30						DOCUMENT NUMBER	
3 PLACES ± 0.1				APPR: SHOSHIKAWA 2020/11/02						DOC TYPE	
2 PLACES ± 0.1				INITIAL REVISION:						DOC PART	
1 PLACE ± 0.1				DRWN: TYAMANE 2018/10/04						REVISION	
0 PLACES ± 0.1				APPR: SHOSHIKAWA 2020/06/08						2004850100	
DRAFT WHERE APPLICABLE MUST REMAIN WITHIN DIMENSIONS				THIRD ANGLE PROJECTION		DRAWING		SERIES		MATERIAL NUMBER	
				A3-SIZE		200485		CUSTOMER		SEE TABLE	
								GENERAL		SHEET NUMBER	
										2 OF 3	

CONNECTOR NO. 20048511**

引き出し方向
PULL OUT
DIRECTION



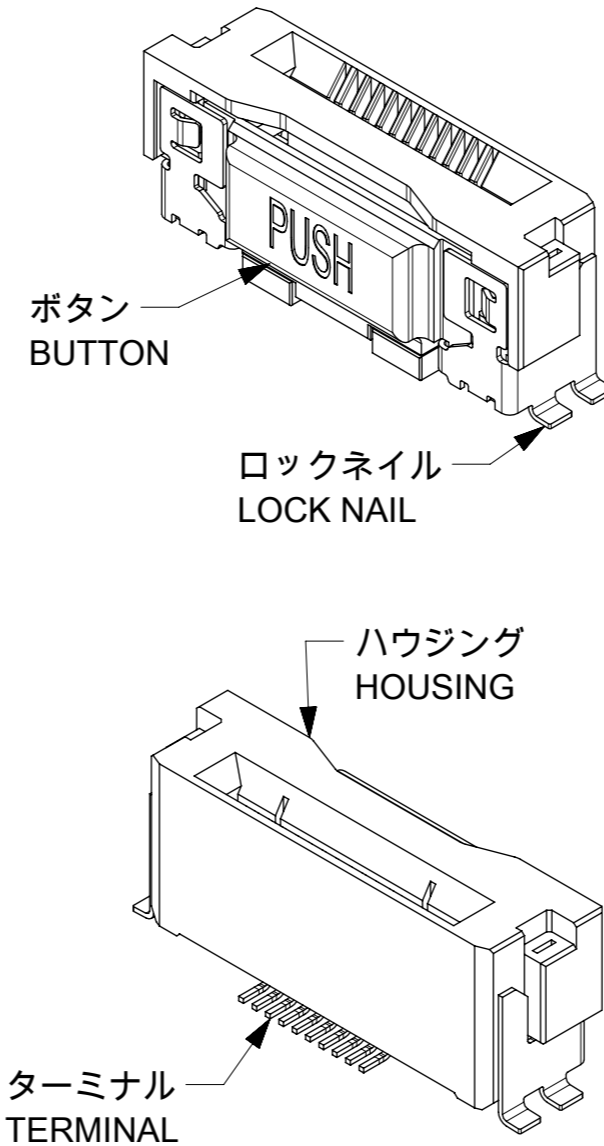
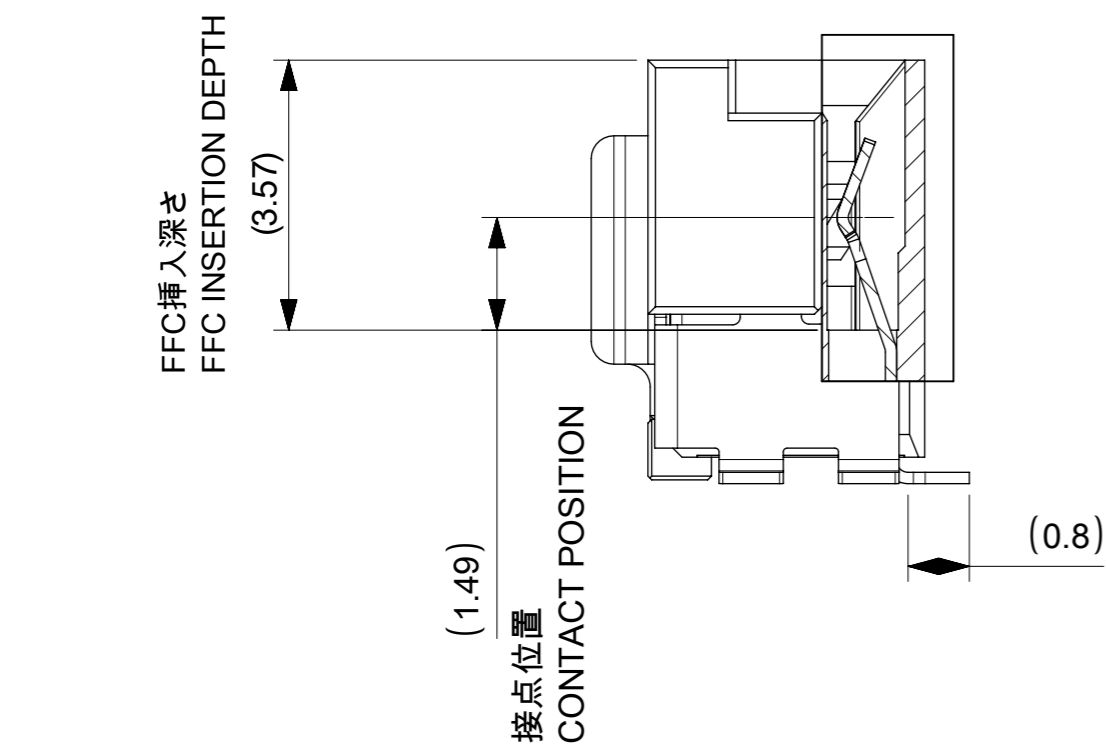
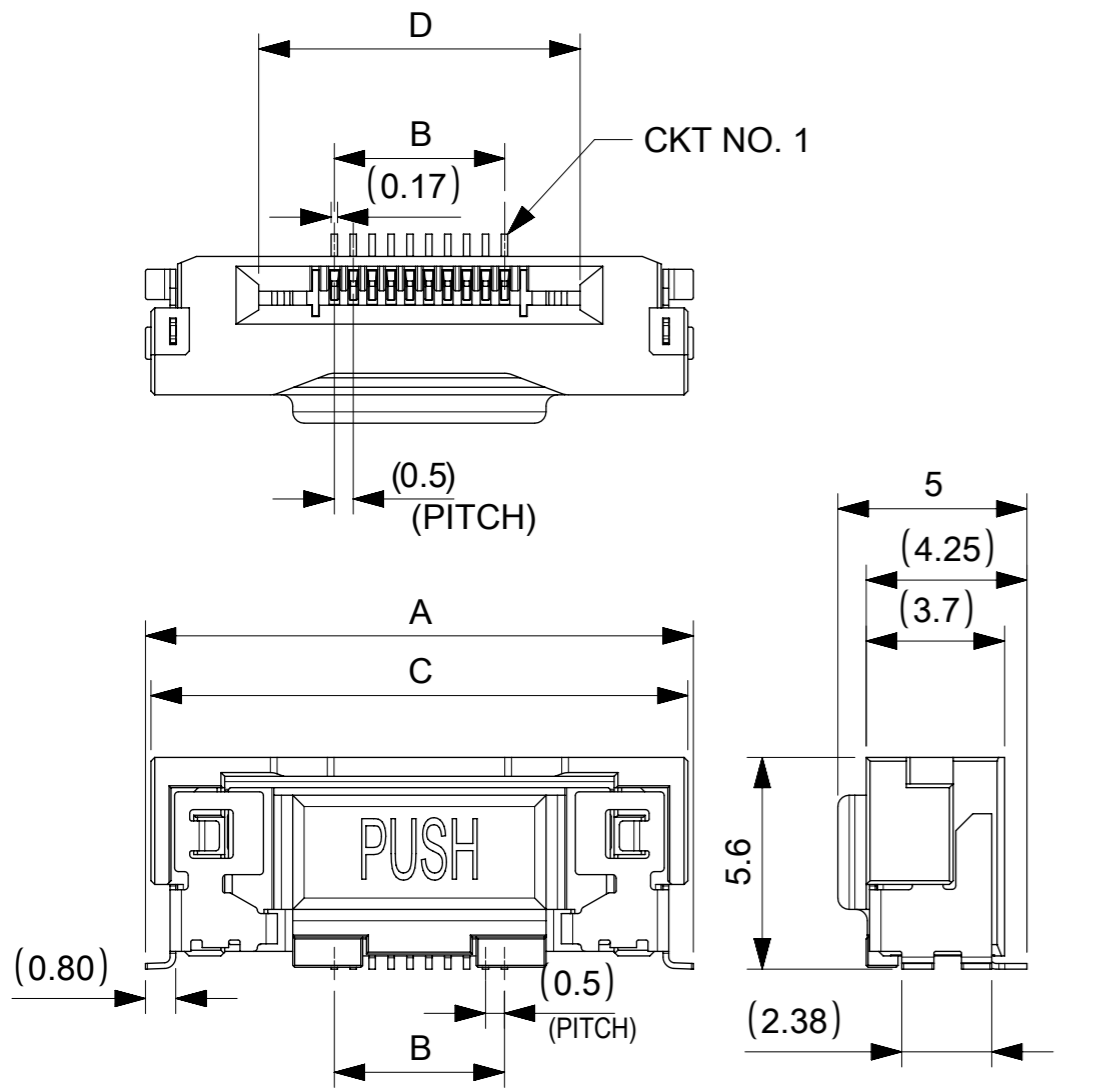
68.4	34.2	72	78.1	73.5	39.5	42.65	49.7	2004850180	80
					34.5	37.65	44.7	2004850170	70
52.4	26.2	56	61.4	75.4	29.5	32.65	39.7	2004850160	60
					25	28.15	35.2	2004850151	51
40.4	20.2	44	49.4	45.4	24.5	27.65	34.7	2004850150	50
					19.5	22.65	29.7	2004850140	40
					17	20.15	27.2	2004850135	35
28.4	14.2	32	37.4	33.4	14.5	17.65	24.7	2004850130	30
					9.5	12.65	19.7	2004850120	20
H	G	F	E	D	C	B	A	EMBOSSED PACKAGE オーダー番号 ORDER NO.	Ckt

THIS DRAWING CONTAINS INFORMATION THAT IS PROPRIETARY TO MOLEX ELECTRONIC TECHNOLOGIES, LLC AND SHOULD NOT BE USED WITHOUT WRITTEN PERMISSION

DIMENSION UNITS mm	SCALE NTS	CURRENT REV DESC:		molex		
GENERAL TOLERANCES (UNLESS SPECIFIED)		EC NO: 648126				
ANGULAR TOL	± 1.0 °	DRWN: TYAMANE		PRODUCT CUSTOMER DRAWING		
4 PLACES	± 0.1	CHK'D: YMATSUMOTO		DOCUMENT NUMBER		
3 PLACES	± 0.1	APPR: SHOSHIKAWA		2004850100		
2 PLACES	± 0.1	INITIAL REVISION:		DOC TYPE	DOC PART	REVISION
1 PLACE	± 0.1	DRWN: TYAMANE		PSD	000	B
0 PLACES	± 0.1	APPR: SHOSHIKAWA		SHEET NUMBER		
DRAFT WHERE APPLICABLE MUST REMAIN WITHIN DIMENSIONS		THIRD ANGLE PROJECTION	DRAWING	SERIES	MATERIAL NUMBER	CUSTOMER
			A3-SIZE	200485	SEE TABLE	GENERAL

SECTION B-B

CONNECTOR NO. 20048511**

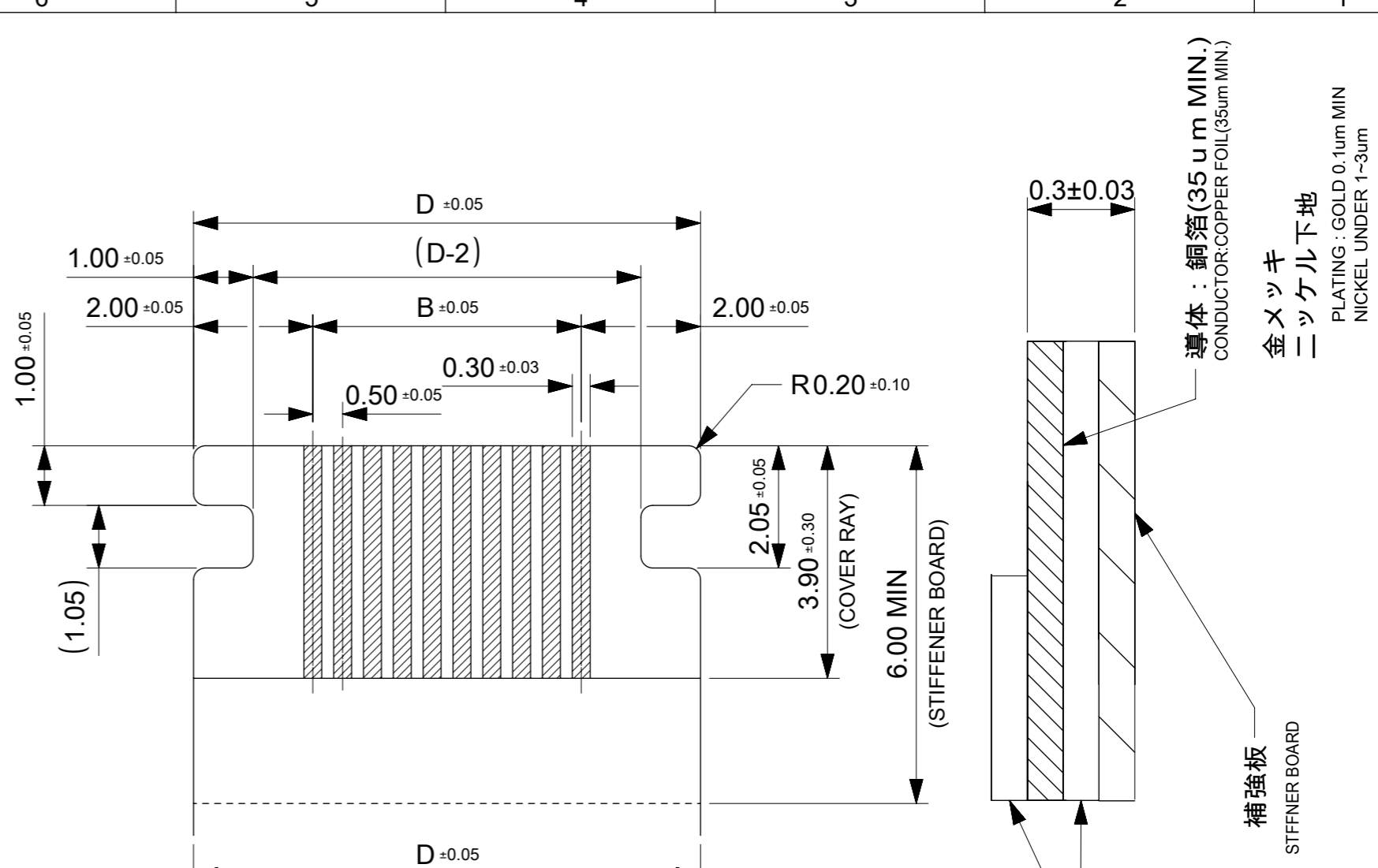
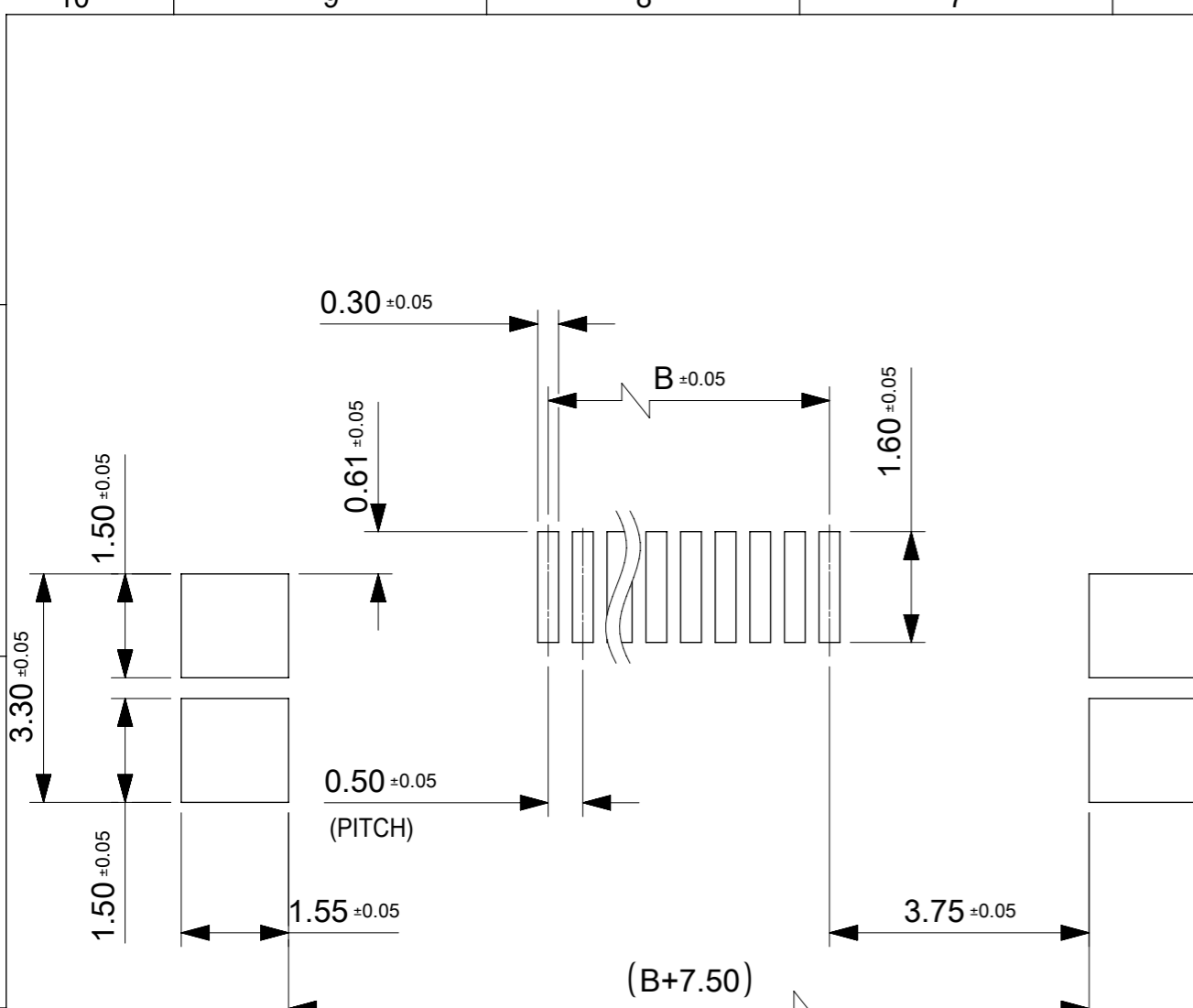


NOTES:

- 1.使用材料 MATERIAL
 - ハウジング : 液晶ポリマー, ガラス充填, UL94V-0(黒)
 - HOUSING : LIQUID CRYSTAL POLYMER, GLASS FILLED, UL94V-0(BLACK)
 - ボタン : 液晶ポリマー, ガラス充填, UL94V-0(ナチュラル)
 - BUTTON : LIQUID CRYSTAL POLYMER, GLASS FILLED, UL94V-0(NATURAL)
 - ターミナル : 銅合金(t=0.15)
 - TERMINAL : COPPER ALLOY
 - ロックネイル : 銅合金(t=0.15)
 - LOCK NAIL : COPPER ALLOY
- 2.めっき仕様 PLATING
 - ターミナル TERMINAL
 - 接点部 : 金めっき 0.1μm以上
 - CONTACT AREA : GOLD 0.1 MICROMETER MINIMUM
 - 半田付け部 : 金めっき
 - SOLDER TAIL AREA : GOLD
 - 下地めっき : ニッケル 1.0μm以上
 - UNDERPLATE : NICKEL 1.0 MICROMETER MINIMUM
 - ロックネイル LOCK NAIL
 - 錫めっき(1.0μm以上)
 - TIN PLATING (1.0 MICROMETER MIN.)
- 3.平坦度は0.1ミリ以下とする。
 - COPLANALITY TO BE 0.1 MAXIMUM.

1.301	43.5	49.2	39.5	49.49	2004850180	80
1.194	38.5	44.2	34.5	44.49	2004850170	70
1.053	33.5	39.2	29.5	39.49	2004850160	60
0.958	29	34.7	25	34.99	2004850151	51
0.942	28.5	34.2	24.5	34.49	2004850150	50
0.796	23.5	29.2	19.5	29.49	2004850140	40
0.702	21	26.7	17	26.99	2004850135	35
0.650	18.5	24.2	14.5	24.49	2004850130	30
0.504	13.5	19.2	9.5	19.49	2004850120	20
0.358	8.5	14.2	4.5	14.49	2004850110	10
NET WEIGHT (g)	D	C	B	A	EMBOSSED PACKAGE	CIRCUIT
CONNECTOR SERIES NO. 20048511**						

THIS DRAWING CONTAINS INFORMATION THAT IS PROPRIETARY TO MOLEX ELECTRONIC TECHNOLOGIES, LLC AND SHOULD NOT BE USED WITHOUT WRITTEN PERMISSION						
DIMENSION UNITS	SCALE	CURRENT REV DESC:				
mm	5:1	molex				
GENERAL TOLERANCES (UNLESS SPECIFIED)						
ANGULAR TOL	± 1.0°	0.5FFFC CONN. ST ONE TOUCH ASS'Y HT				
4 PLACES	± 0.1					
3 PLACES	± 0.1	PRODUCT CUSTOMER DRAWING				
2 PLACES	± 0.1					
1 PLACE	± 0.1	DOCUMENT NUMBER: 2004851100 DOC TYPE: PSD DOC PART: 000 REVISION: C				
0 PLACES	± 0.1					
DRAFT WHERE APPLICABLE MUST REMAIN WITHIN DIMENSIONS		THIRD ANGLE PROJECTION	DRAWING	SERIES	MATERIAL NUMBER	CUSTOMER
			A3-SIZE	200485	SEE TABLE	GENERAL
						SHEET NUMBER: 1 OF 2



推奨PWB寸法
 RECOMMENDED PWB DIMENSION
 推奨メタルマスク厚、開口率 : t=0.12mm, 80%
 RECOMMENDED METAL MASK THICKNESS, APERTURE RATIO : t=0.12mm, 80%
 ロックネイル部開口率は100%
 APERTURE RATIO FOR LOCK NAIL: 100%

推奨FFC寸法
 RECOMMENDED FFC DIMENSION
 抜き方向は導体側から補強版側を推奨します
 RECOMMENDED PUNCHING DIRECTION:
 FROM CONDUCTOR SIDE TO STIFFENER SIDE

THIS DRAWING CONTAINS INFORMATION THAT IS PROPRIETARY TO MOLEX ELECTRONIC TECHNOLOGIES, LLC AND SHOULD NOT BE USED WITHOUT WRITTEN PERMISSION									
DIMENSION UNITS		SCALE		CURRENT REV DESC:				molex	
mm		10:1							
GENERAL TOLERANCES (UNLESS SPECIFIED)				EC NO: 674194					
ANGULAR TOL ± 1.0 °				DRWN: AHMADI2		2021/08/18		0.5FFC CONN. ST ONE TOUCH ASS'Y HT	
4 PLACES ± 0.1		CHK'D: TKON		2021/08/19		PRODUCT CUSTOMER DRAWING			
3 PLACES ± 0.1		APPR: SHOSHIKAWA		2021/08/19		DOCUMENT NUMBER			
2 PLACES ± 0.1		INITIAL REVISION:		2018/09/21		2004851100		DOC TYPE	
1 PLACE ± 0.1		DRWN: TYAMANE		2020/06/08		PSD		DOC PART	
0 PLACES ± 0.1		APPR: SHOSHIKAWA				000		REVISION	
DRAFT WHERE APPLICABLE MUST REMAIN WITHIN DIMENSIONS		THIRD ANGLE PROJECTION		DRAWING		SERIES		SHEET NUMBER	
		A3-SIZE		200485		SEE TABLE		GENERAL	

DOCUMENT STATUS	P1	RELEASE DATE	2021/08/19	01:59:51
-----------------	----	--------------	------------	----------