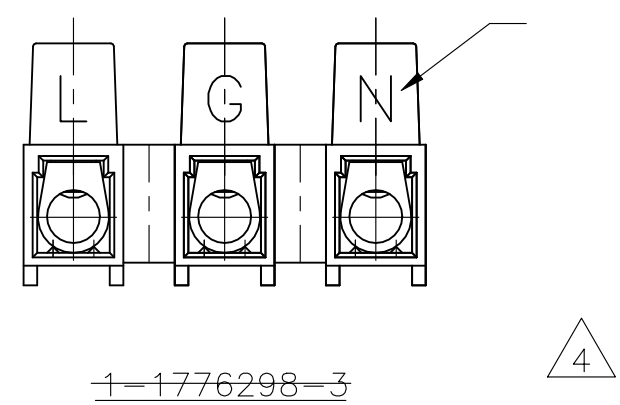
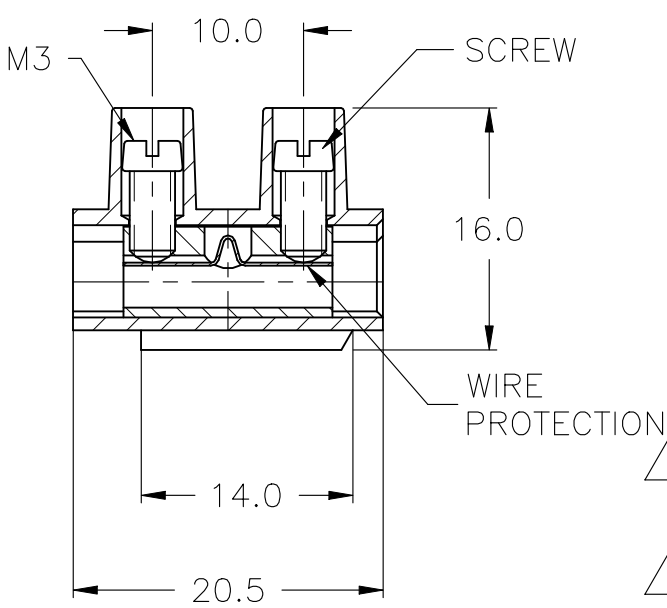
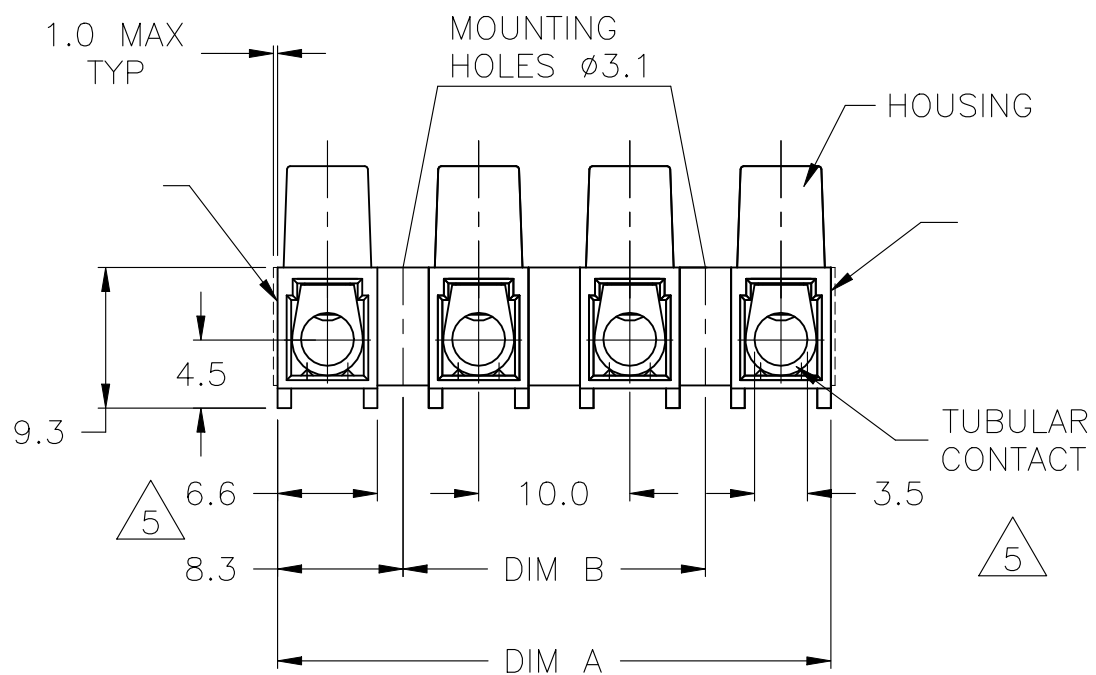


REVISIONS					
P	LTR	DESCRIPTION	DATE	DWN	APVD
	P2	REACTIVATING THE PART 1776298-6	22MAY2023	SP	PS



1. MATERIAL:  
HOUSING: POLYAMIDE 6/6 UL94V-0.  
COLOR: BROWN  
TERMINAL: BRASS, TIN PLATED  
SCREWS: STEEL, ZINC PLATED W/ NON-HEXAVALENT CHROMATE (CHROME III).  
WIRE PROTECTOR: STAINLESS STEEL

2. ELECTRICAL:  
CURRENT RATING: 30A  
OPERATING VOLTAGE: 250V  
WIRE RANGE: 12-24 AWG

3. ENVIRONMENTAL:  
CONTINUOUS WORKING TEMP: -50°C TO +160°C

4 PART TO BE PERMANENTLY MARKED AS SHOWN, BLACK LETTERING.

5 CUTTING PROJECTION CAN BE ON BOTH SIDES DEPENDING ON CUTTING LOCATION

6. CUTTING BURR MAX. 1mm ALLOWED.

OBSOLETE	10.0	26.6	3	-	1-1776298-3
	100.0	116.6	12	TSB500 1231DS HT	1-1776298-2
	90.0	106.6	11	TSB500 1131DS HT	1-1776298-1
	80.0	96.6	10	TSB500 1031DS HT	1-1776298-0
	70.0	86.6	9	TSB500 0931DS HT	1776298-9
	60.0	76.6	8	TSB500 0831DS HT	1776298-8
	50.0	66.6	7	TSB500 0731DS HT	1776298-7
OBSOLETE	40.0	56.6	6	TSB500 0631DS HT	1776298-6
	30.0	46.6	5	TSB500 0531DS HT	1776298-5
	20.0	36.6	4	TSB500 0431DS HT	1776298-4
	10.0	26.6	3	TSB500 0331DS HT	1776298-3
	-	16.6	2	TSB500 0231DS HT	1776298-2
-	6.6	1	TSB500 0131DS HT	1776298-1	
	DIM B	DIM A	NO. OF POS	CATALOG PART NO.	TE PART NUMBER

1776298-4 AS SHOWN

OBSOLETE

THIS DRAWING IS A CONTROLLED DOCUMENT.		DWN S SCHLEGEL 3/18/05	<b>TE Connectivity</b>														
DIMENSIONS: mm		CHK C RICHARD 3/18/05															
TOLERANCES UNLESS OTHERWISE SPECIFIED:		APVD C RICHARD 3/18/05	NAME EUROPA TERMINAL BLOCK W/ WIRE PROTECTOR MOUNTING HOLES 3.1 DIA, 10.0mm PITCH HIGH TEMP														
<table border="0"> <tr> <td>0 PLC</td><td>± -</td> </tr> <tr> <td>1 PLC</td><td>± 0.3</td> </tr> <tr> <td>2 PLC</td><td>± 0.25</td> </tr> <tr> <td>3 PLC</td><td>± -</td> </tr> <tr> <td>4 PLC</td><td>± -</td> </tr> <tr> <td>ANGLES</td><td>± 2°</td> </tr> </table>		0 PLC	± -	1 PLC	± 0.3	2 PLC	± 0.25	3 PLC	± -	4 PLC	± -	ANGLES	± 2°	PRODUCT SPEC -	RESTRICTED TO -		
0 PLC	± -																
1 PLC	± 0.3																
2 PLC	± 0.25																
3 PLC	± -																
4 PLC	± -																
ANGLES	± 2°																
MATERIAL SEE NOTES		FINISH SEE NOTES	APPLICATION SPEC -	SIZE A3	CAGE CODE 00779												
CUSTOMER DRAWING			DRAWING NO C-1776298	SCALE NTS	SHEET 1 OF 1												
			WEIGHT -	REV P2													