

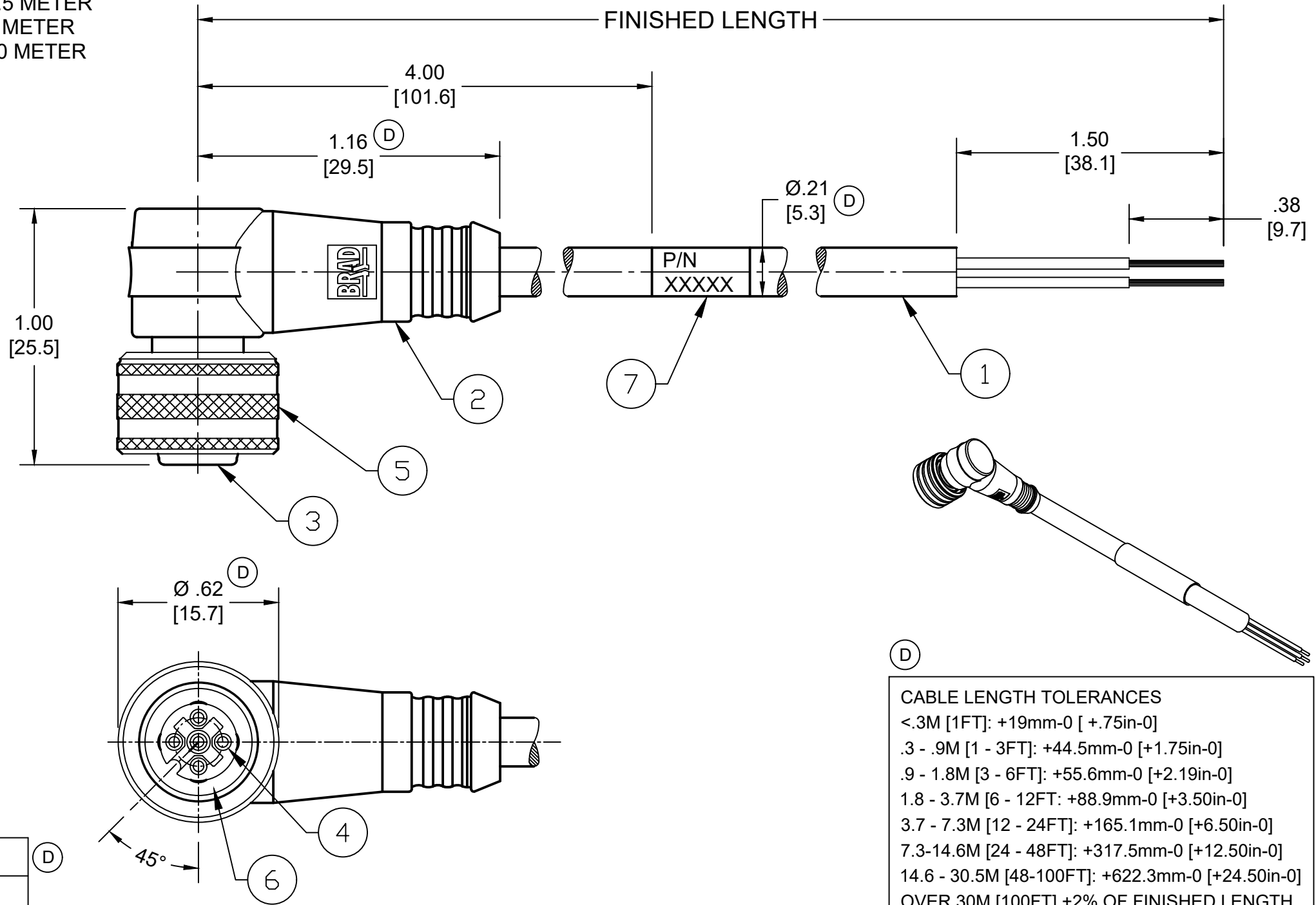
PART NUMBER LEGEND
W04001A09M003

FINISHED LENGTH
M005 = 0.5 METER
M010 = 1 METER
M100 = 10 METER

PART NO	ENGINEERING NO.	FINISHED LENGTH
1200790320	W04001A09M003	0.3M [1FT]
1200790234	W04001A09M050	5M [16FT 5 IN]
1200790195	W04001A09M100	10M [32FT 10 IN]

NOTES:

- MATERIAL: SEE TABLE
- FINISH: SEE TABLE
- ELECTRICAL:
VOLTAGE: 250V
CURRENT: 4A
- TEMP RATING: -20°TO +105°C
- PROTECTION: IP67/69K (WHEN MATED)
- CSA CERTIFIED FILE: LR6837 (D)
- ALL DIMENSIONS ARE FOR REFERENCE
UNLESS TOLERANCED OR NOTED OTHERWISE



(D)

CABLE LENGTH TOLERANCES

<.3M [1FT]:	+19mm-0 [+.75in-0]
.3 - .9M [1 - 3FT]:	+44.5mm-0 [+1.75in-0]
.9 - 1.8M [3 - 6FT]:	+55.6mm-0 [+2.19in-0]
1.8 - 3.7M [6 - 12FT]:	+88.9mm-0 [+3.50in-0]
3.7 - 7.3M [12 - 24FT]:	+165.1mm-0 [+6.50in-0]
7.3-14.6M [24 - 48FT]:	+317.5mm-0 [+12.50in-0]
14.6 - 30.5M [48-100FT]:	+622.3mm-0 [+24.50in-0]
OVER 30M [100FT]:	+2% OF FINISHED LENGTH

ITEM	DESCRIPTION	MATERIAL	FINISH
7	WRAP LABEL	VINYL	BLACK/YELLOW
6	O-RING	VITON	GREEN
5	COUPLER	BRASS	NICKEL PLATED
4	CONTACT SOCKET	COPPER ALLOY	GOLD OVER NICKEL
3	INSERT	PUR	BLACK
2	OVERMOLD	PUR	YELLOW
1	#22/4 CABLE	PVC	YELLOW

THIS DRAWING CONTAINS INFORMATION THAT IS PROPRIETARY TO MOLEX ELECTRONIC TECHNOLOGIES, LLC AND SHOULD NOT BE USED WITHOUT WRITTEN PERMISSION

FUNCTIONAL SYMBOLS FA=0 FE=0 FP=0	DIMENSION UNITS INCH/MM	SCALE NTS	CURRENT REV DESC: ADDED ITEM-7, CSA NUMBER, CABLE DIA & TOL CHART. MODIFIED DIMS & PN CHART.	
	GENERAL TOLERANCES (UNLESS SPECIFIED)		EC NO: 703079	
DIVISIONAL SYMBOLS	4 PLACES ±----	mm	INCH	DRWN: ABENJAMINLW 2021/09/17
	3 PLACES ±----			CHK'D: RSTONE 2022/04/12
1 PLACE ±----				APPR: BWOODMAN 2022/04/18
0 PLACES ±----				INITIAL REVISION:
ANGULAR TOL ± --- °				DRWN: TWOLDEGE 2009/07/06
DRAFT WHERE APPLICABLE MUST REMAIN WITHIN DIMENSIONS		THIRD ANGLE PROJECTION		APPR: JFMURPHY 2009/07/20
		DRAWING A3-SIZE	SERIES 120079	MATERIAL NUMBER SEE CHART
		CUSTOMER GENERAL MARKET		SHEET NUMBER 1 OF 1

molex

MICRO-CHANGE ULTRA LOCK, M12
4-POLE, FEMALE, 90DEG, SINGLE KEY,
#22 AWG

PRODUCT CUSTOMER DRAWING

DOCUMENT NUMBER: **SD-120079-011** | DOC TYPE: PSD | DOC PART: 001 | REVISION: D