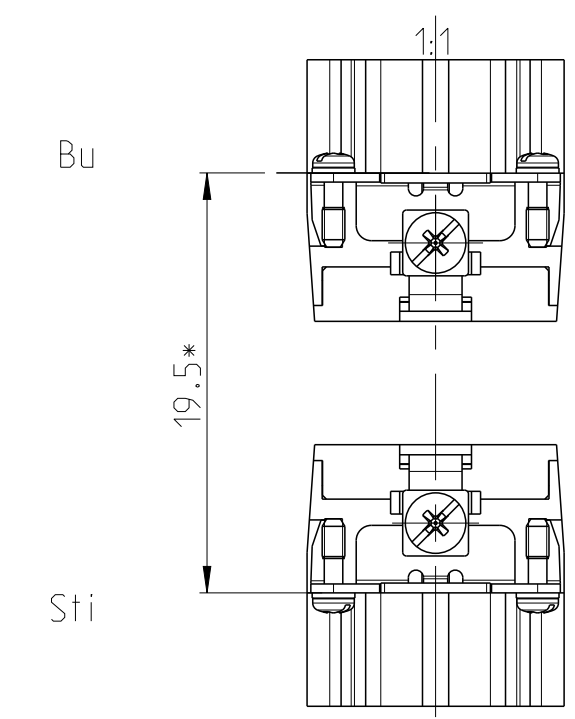
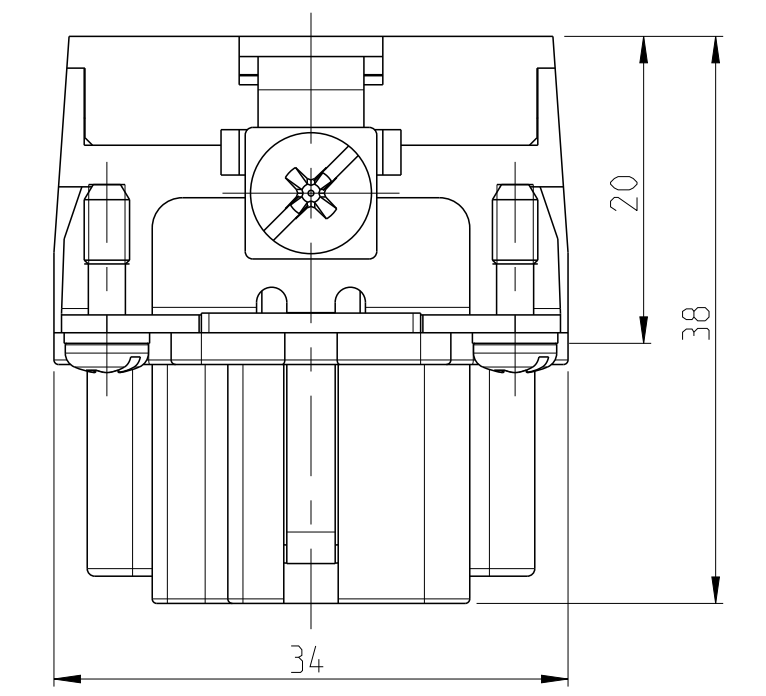
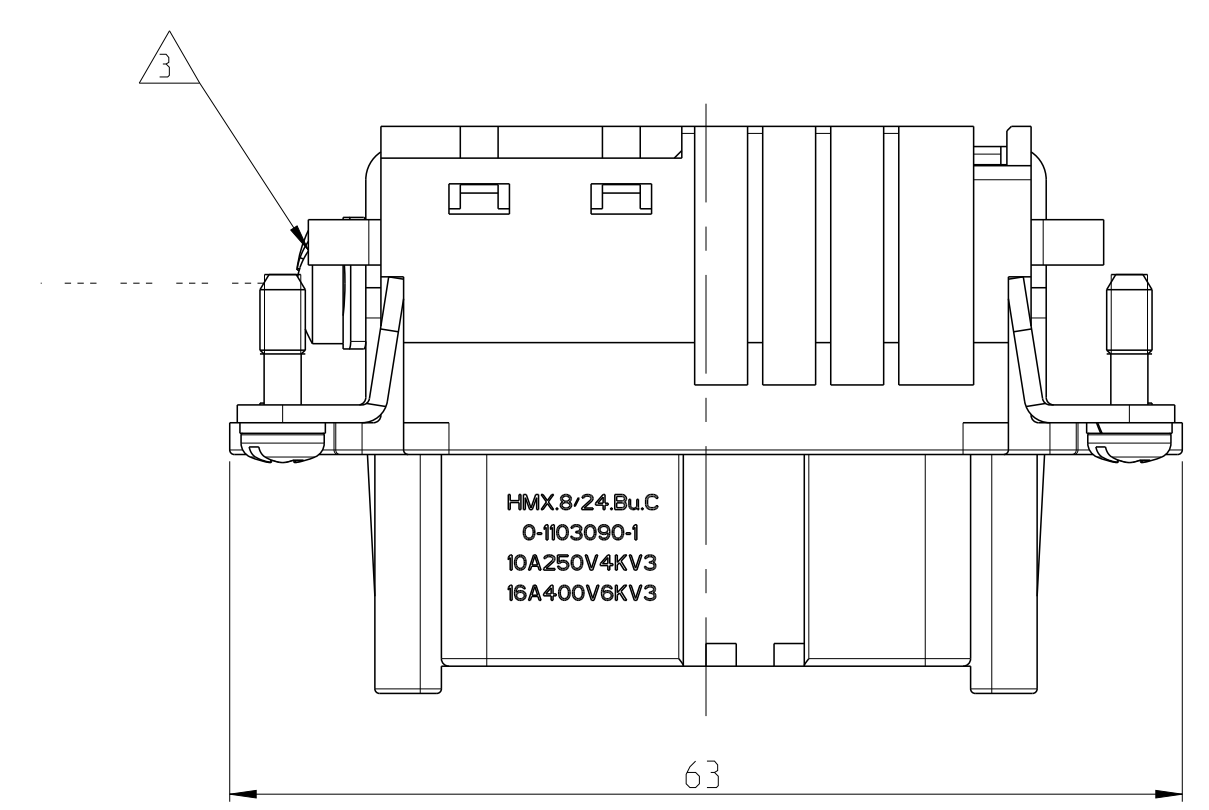


LOC		DIST		REVISIONS			
A1		-		REV	DATE	BY	CHK
C1	ECR-09-026756				05FEB2010	SR	ME
C2	ECR-17-014051				04APR2018	SG	MKO

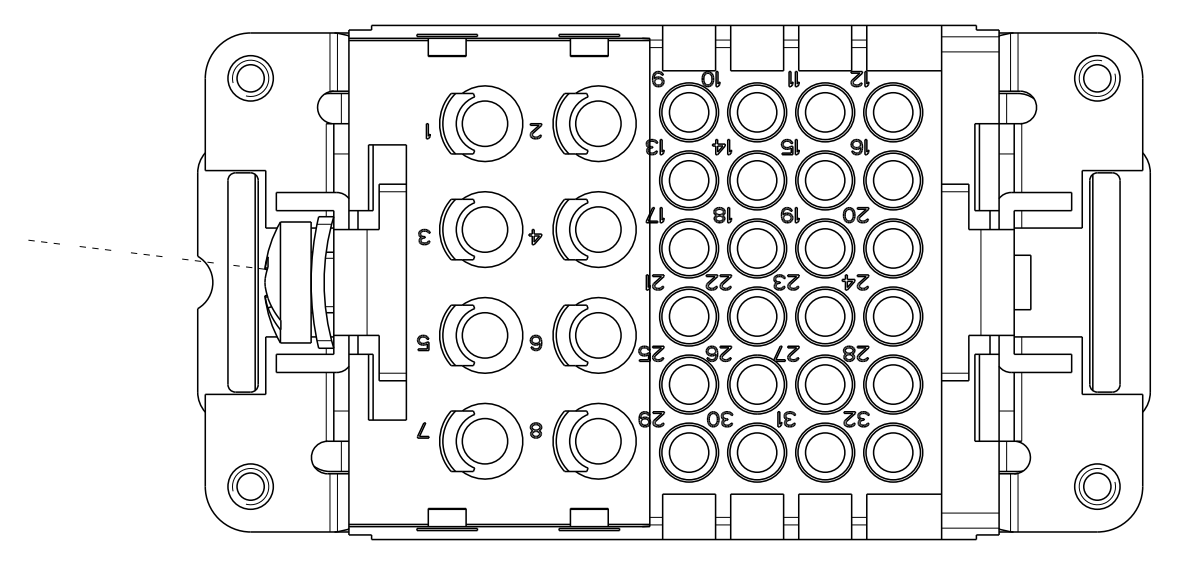
NOTES

- COVER CONTACT : 1 TO 12  
 OUTER DIMENSIONS OF INSULATION: MAX.  $\varnothing$ 6.5MM  
 SIGNAL CONTACT: A AND B  
 OUTER DIMENSIONS OF INSULATION: MAX.  $\varnothing$ 3.2MM
- SUITABLE HOOD SIZE 6  
 SERIES HB, HD, EMV, AND HIP
- $\triangle$  GROUNDING CONTACT
- STANDARDS:  
 DIN EN 61984; DIN EN 60664-1
- PACKAGING:  
 10 PIECES IN A CARTON BOX

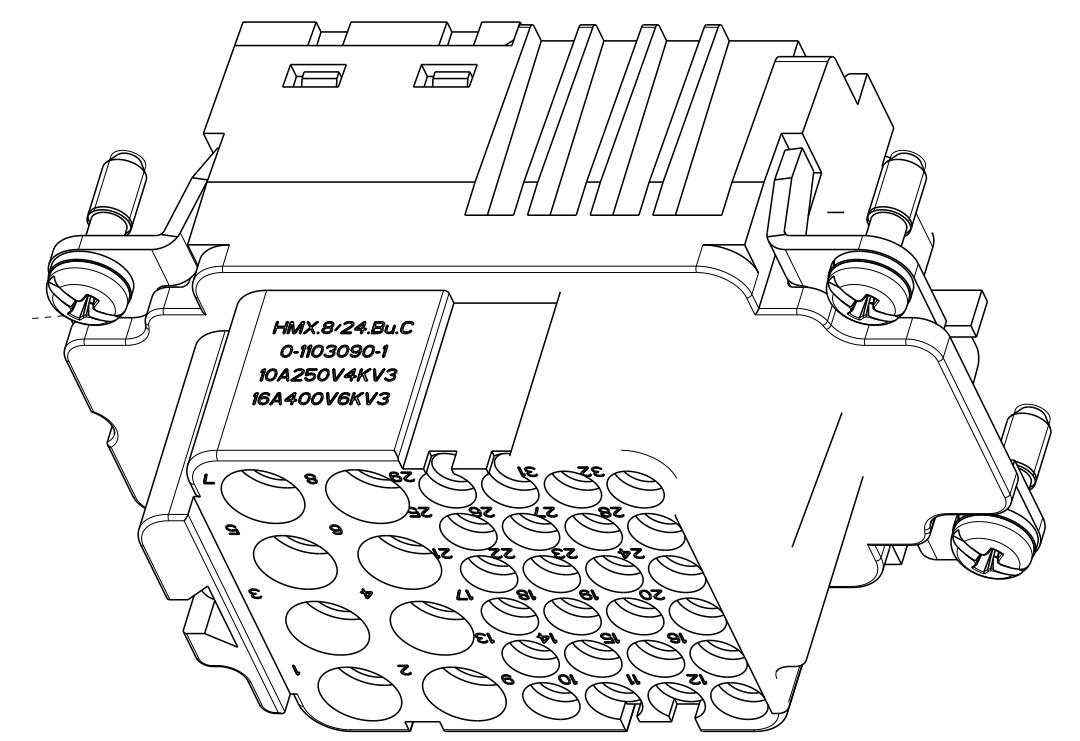
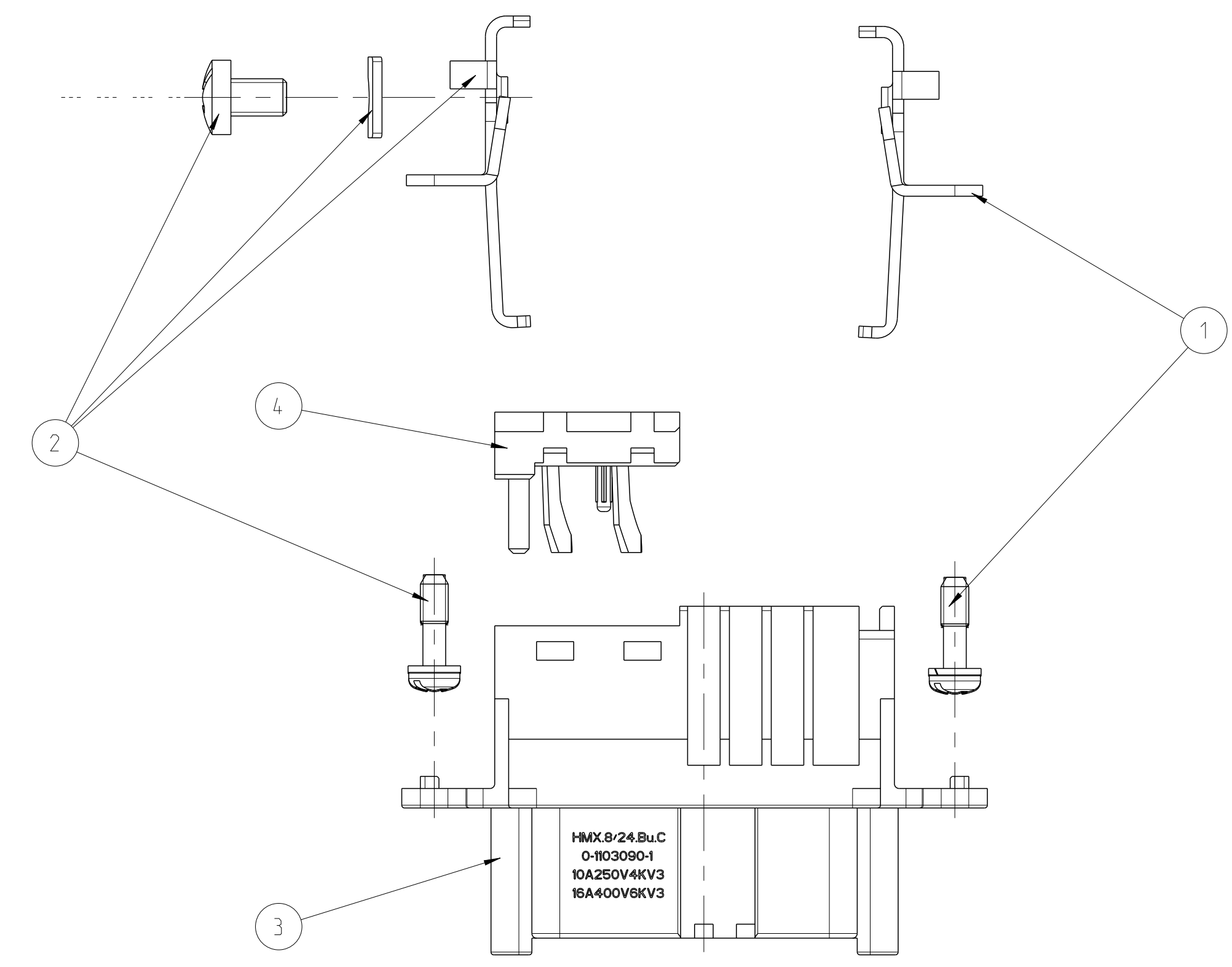
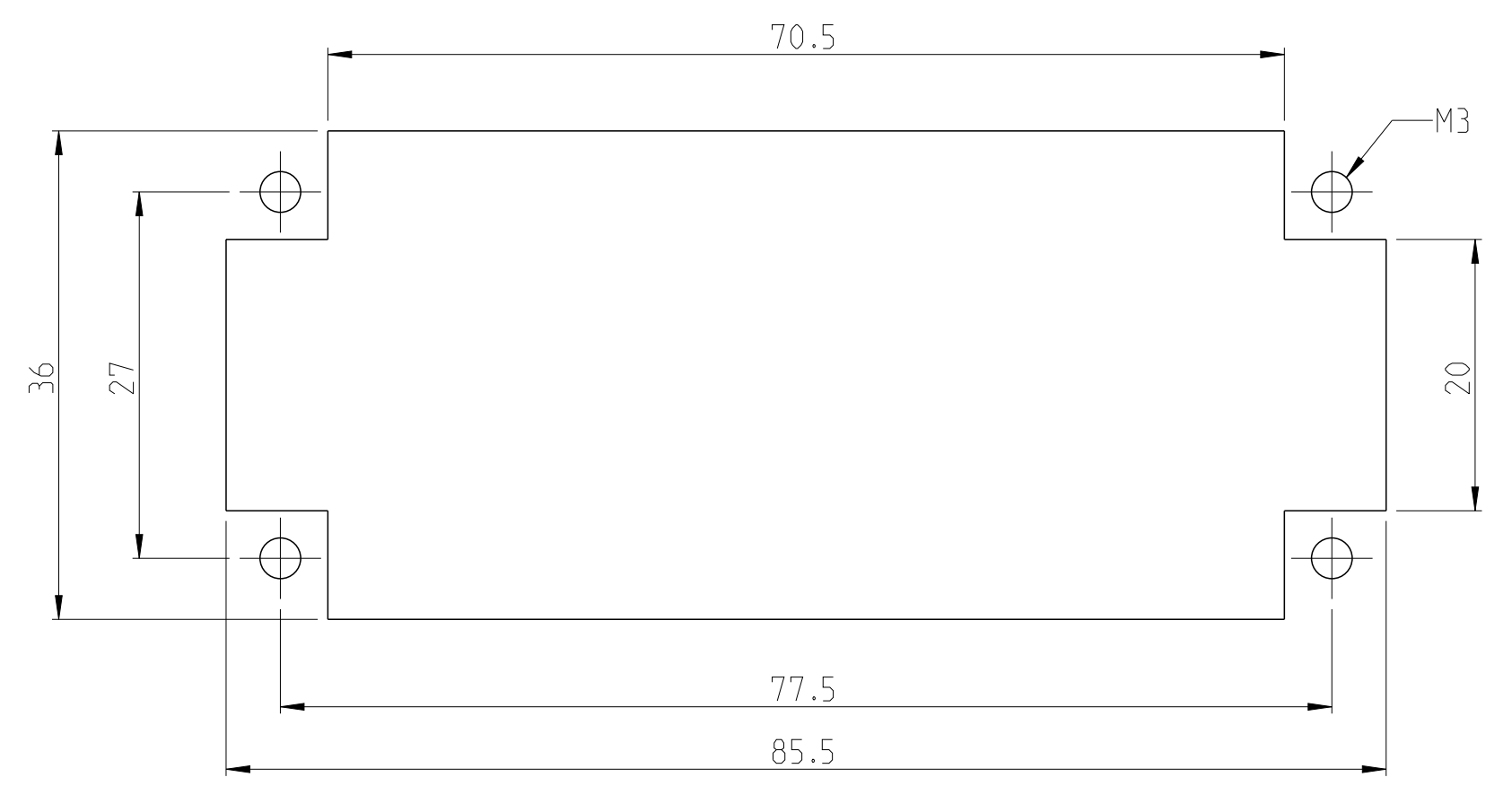


\* DISTANCE FOR QUARANTEED CONTACT 21MM MAX.

CONTACT ARRANGEMENT VIEW FROM TERMINATION SIDE



PANEL CUT-OUT FOR CONTACT INSERT WHEN USED WITHOUT HOUSING



SUPERSEDED BY T2100322201-000

QTY	DESCRIPTION	MATERIAL	SURFACE	ITEM
1	COVER	PBT-GF15		4
1	FEMALE INSERT	PBT-GF30		3
1	PROTECTION ANGLE CONTACT SOCKET WITH MOUNTING		ZINK PLATED	2
1	PROTECTION ANGLE CONTACT SOCKET		ZINK PLATED	1
0-1	ORDERING TEXT: HMX.12/2.Bu.C			

THIS DRAWING IS A CONTROLLED DOCUMENT.		OWN: R.SCHNEIDER 05FEB2010		
DIMENSIONS: mm		CHK: T.SCHNURPFEL 05FEB2010		
TOLERANCES UNLESS OTHERWISE SPECIFIED:		APVD: -	NAME: FEMALE INSERT HMX.8/24.BU.C	
0 PLC	±0.1	PRODUCT SPEC	FEMALE INSERT HMX.8/24.BU.C	
1 PLC	±0.2	APPLICATION SPEC		
2 PLC	±0.3	WEIGHT		
3 PLC	±0.4	CUSTOMER DRAWING		
4 PLC	±0.5	SCALE	5:1	
ANGLES	±0.1	SHEET	1 OF 1	
FINISH	±0.1	REV	C2	