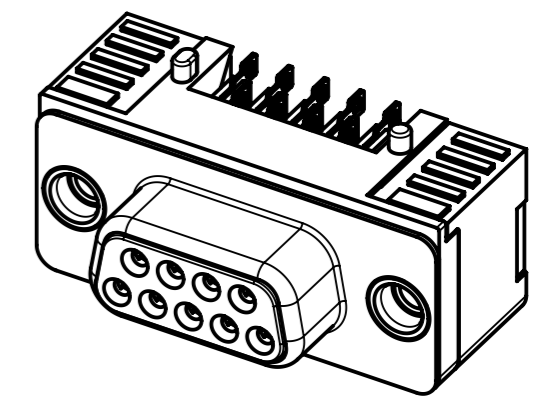
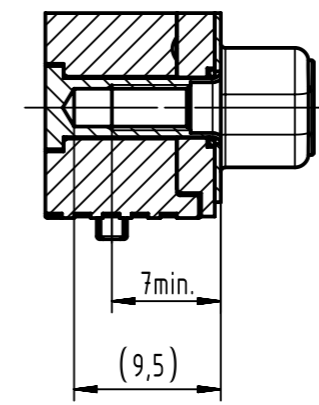
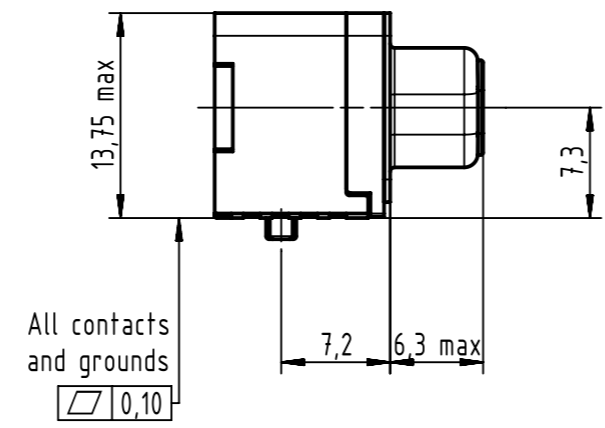
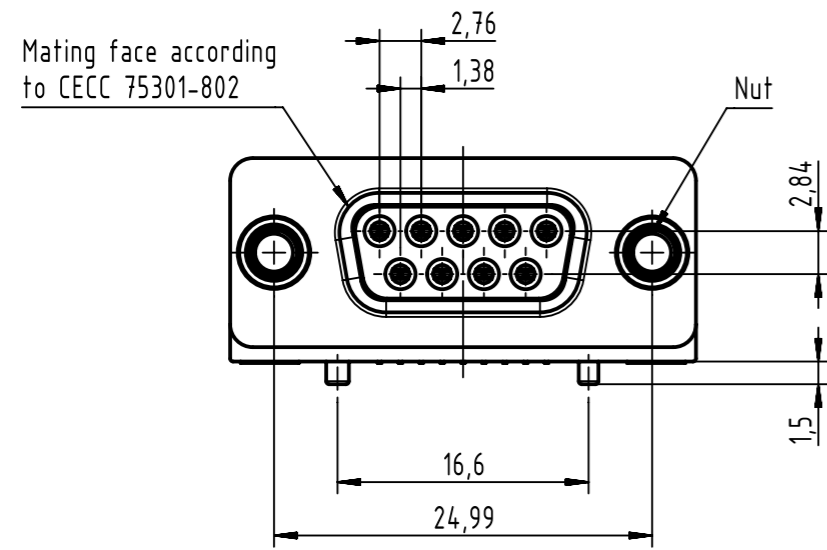
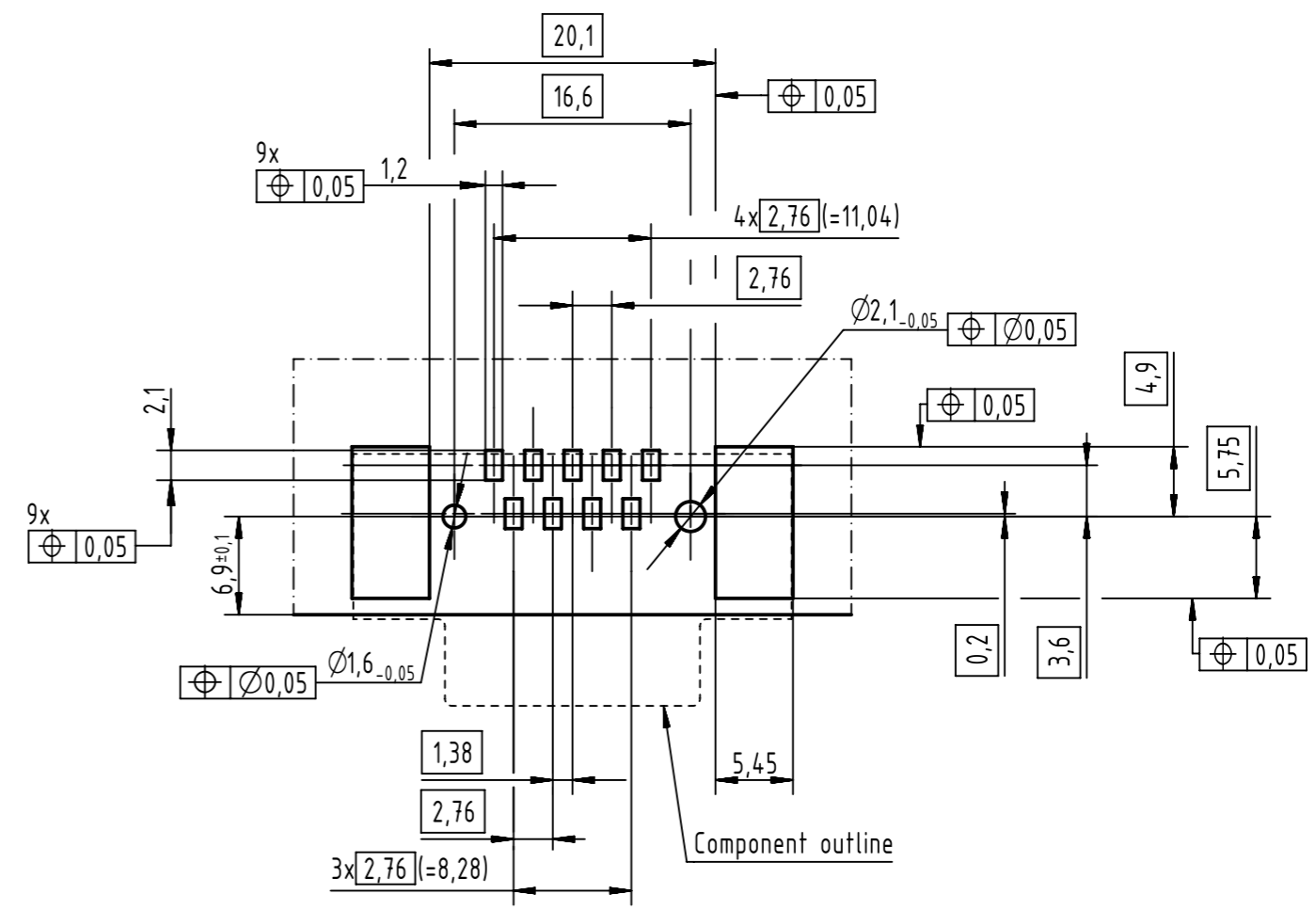
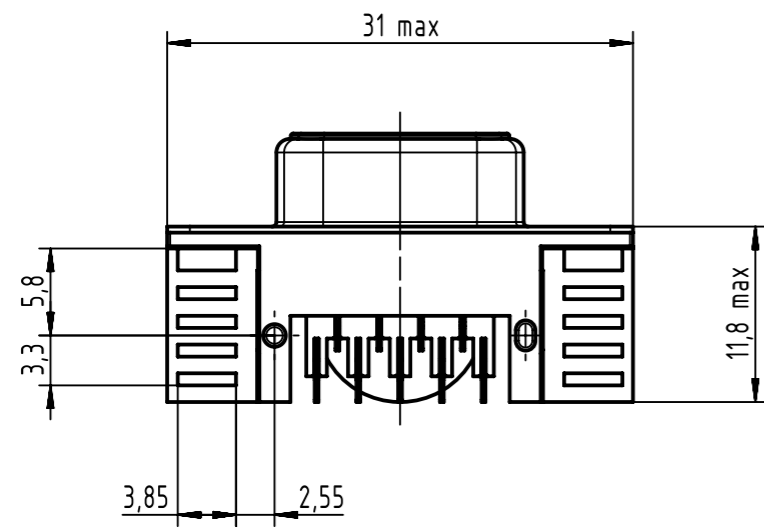


1 2 3 4 5 6 7 8

A B C D E F

PCB layout, component side (thickness 1,6 min)



Max. Temperature: 260°C during 10 seconds.
Find further technical information on DS 09550200301.

0955 156 6612 333	2	4-40 UNC	Black insulator	Samples
0955 156 3612 741	1			Reel packaging (140 connectors)
0955 156 6612 741	2			
0955 156 7612 741	3			
0955 156 3611 741	1	M3	Index designation	
0955 156 6611 741	2			
0955 156 7611 741	3			
Part number	PL	Nut		

	All rights reserved	Scale 2:1	Free size tol.	Ref.
	Department EL PD	Created by ZHUANGJ	Inspected by LUOK	Sub.
HARTING Electronics GmbH D-32339 Espelkamp	Title D-Sub angled standard SMT 9-pole female ass with screw nut		Standardisation HOFFMANN	Date 2018-11-16
	Type TB	Number 0955156X61X	State Final Release	Doc-Key / ECM-Nr. 10051174.7/UGD/001/C 50000014.1375
			Rev. C	Page 1/1

1 2 3 4 5 6 7 8