



MAX2680/MAX2681/MAX2682 Evaluation Kits

General Description

The MAX2680/MAX2681/MAX2682 evaluation kits (EV kits) simplify the evaluation of the MAX2680/MAX2681/MAX2682 downconverter mixers. They enable testing of all device functions and require no additional support circuitry. Signal inputs and outputs use SMA connectors to ease the connection of RF test equipment.

All three EV kits share the same PC board but have RF input matching components optimized for each device at an RF frequency of 900MHz. Be sure to select the EV kit for the device that meets your performance needs. Consult the *Selector Guide* in the MAX2680/MAX2681/MAX2682 data sheet for the various combinations of power gain, input IP3, noise figure, and supply current offered by each device. The IF output matching components are optimized for an IF frequency of 70MHz. All matching components may be changed to match RF frequencies from 400MHz to 2.5GHz and IF frequencies from 10MHz to 500MHz. Consult Tables 2 and 4 in the MAX2680/MAX2681/MAX2682 data sheet for component values appropriate for each device at other RF and IF operating frequencies.

Ordering Information

PART	TEMP. RANGE	IC PACKAGE	SOT TOP MARK
MAX2680EVKIT	-40°C to +85°C	6 SOT23-6	AAAR
MAX2681EVKIT	-40°C to +85°C	6 SOT23-6	AAAS
MAX2682EVKIT	-40°C to +85°C	6 SOT23-6	AAAT

Component Suppliers

SUPPLIER	PHONE	FAX
AVX	803-946-0690	803-626-3123
Coilcraft	847-639-6400	847-639-1469
Toko America	708-297-0070	708-699-1194

Features

- ◆ Easy Evaluation of MAX2680/MAX2681/MAX2682
- ◆ Easy Evaluation of All Device Functions
- ◆ +2.7V to +5.5V Single-Supply Operation
- ◆ RF Input Matched to 50Ω at 900MHz
- ◆ IF Output Matched to 50Ω at 70MHz
- ◆ SMA Input and Output Signal Connectors
- ◆ All Critical Peripheral Components Included

Components Common to All Three EV Kits

DESIGNATION	QTY	DESCRIPTION
C1	1	270pF ceramic capacitor (0603)
C2	1	15pF ceramic capacitor (0603)
C3, C4, C6	3	1000pF ceramic capacitors (0603)
C5	1	10μF, 10V tantalum capacitor (0805)
C7, C8	2	Open
L1	1	330nH inductor Coilcraft 1008HS-330TJBC
R1	0	Open
R2	0	Not installed, short
IF, LO, RF	3	SMA connectors (edge mount)
JU1	1	3-pin header
GND, V _{CC} , SHDN	3	Eyelets
None	1	MAX2680/MAX2681/MAX2682 PC board

MAX2680 EV Kit

Additional Components

DESIGNATION	QTY	DESCRIPTION
Z1	1	270pF ceramic capacitor (0603)
Z2	1	22nH inductor Toko LL1608-FH22NJ
Z3	0	Open
U1	1	MAX2680EUT-T (6-pin SOT23)



MAX2680/MAX2681/MAX2682 Evaluation Kits

MAX2681 EV Kit Additional Components

DESIGNATION	QTY	DESCRIPTION
Z1	1	270pF ceramic capacitor (0603)
Z2	1	18nH inductor Toko LL1608-FH18NJ
Z3	0	Open
U1	1	MAX2681EUT-T (6-pin SOT23)

MAX2682 EV Kit Additional Components

DESIGNATION	QTY	DESCRIPTION
Z1	1	1.5pF ceramic capacitor (0603)
Z2	1	270pF ceramic capacitor (0603)
Z3	1	10nH inductor Toko LL1608-FH10NJ
U1	1	MAX2682EUT-T (6-pin SOT23)

Quick Start

The MAX2680/MAX2681/MAX2682 EV kits are fully assembled and factory tested. Follow the instructions in the *Connections and Setup* section for proper device evaluation.

Test Equipment Required

This section lists the recommended test equipment to verify the operation of the MAX2680/MAX2681/MAX2682. It is intended as a guide only, and some substitutions are possible.

- DC power supply capable of supplying a minimum of 50mA at +2.7V to +5.5V
- HP8561E spectrum analyzer or equivalent high-sensitivity spectrum analyzer
- Digital multimeter (DMM) to monitor DC supply voltage and supply current (if desired)
- Two HP8648C RF signal generators or equivalent (50Ω) sine-wave sources for the RF and LO inputs
- Three 50Ω SMA cables (RG-58A/U or equivalent)

Connections and Setup

- 1) Verify the DC power supply is set to less than +5.5V and is off before connecting the supply to the EV kit. A good starting point is +3.0V. Connect the power supply between V_{CC} and GND, and turn the power supply on.
- 2) Verify the jumper JU1 is in the “on” position, pin 1 shorted to pin 2 ($\overline{\text{SHDN}} = \text{V}_{\text{CC}}$).
- 3) Use a 50Ω SMA cable to connect a signal generator to the SMA RF connector of the EV kit. Set the signal generator’s output frequency to 900MHz and output power level to -25dBm.
- 4) Use another 50Ω SMA cable to connect a second signal generator to the SMA LO connector of the EV kit. Set the second signal generator’s output fre-

quency to 970MHz and output power level to -5dBm.

- 5) Use a third 50Ω SMA cable to connect the IF connector of the EV kit to the spectrum analyzer. Take care to use quality connector adapters for the spectrum analyzer’s input. Avoid the use of BNC-type connectors due to their high VSWR while operating in the GHz range.

Analysis

- 1) Set the spectrum analyzer’s center frequency to 70MHz, with a frequency span of 1MHz.
- 2) Set the spectrum analyzer’s marker to read the peak power level of the center frequency. For the MAX2680 the IF power level is nominally -13.4dBm. The IF output power is equal to the RF input power plus the conversion gain of the downconverter mixer. The MAX2680 has a typical conversion gain of 11.6dB. The MAX2681 has a typical conversion gain of 14.2dB. The MAX2682 has a typical conversion gain of 14.7dB.

Detailed Description

This section describes the circuitry surrounding the MAX2680/MAX2681/MAX2682 EV kits. For more detailed information covering device operation, please consult the MAX2680/MAX2681/MAX2682 data sheet.

Figure 1 is the schematic for the MAX2680/MAX2681/MAX2682 EV kits. The RF input matching components Z1, Z2, and Z3 are optimized for each device and for an RF frequency of 900MHz. A DC-blocking capacitor is required on the RF port. The IF output matching components, L1 and C2, are optimized for an IF frequency of 70MHz and are independent of the device chosen. Consult Tables 2 and 4 in the MAX2680/MAX2681/MAX2682 data sheet for components appropriate for each device at other RF and IF frequencies. Capacitor

MAX2680/MAX2681/MAX2682 Evaluation Kits

C1 is a DC-blocking capacitor and is required for the LO input port. Pads C7 and C8 are left open on the EV kits, but are provided for experimentation. Pad R1 is left open on the kits, but is provided as an option to resistively terminate the IFOUT port.

Capacitors C4, C5, and C6 form the VCC decoupling network. Note the location of each component. C5, a 10µF tantalum capacitor, is located near the VCC connector. This serves as the central node for distribution of VCC to the mixer's supply pin and the IFOUT output pull-up inductor L1. Capacitor C6, placed near the VCC connection, and capacitor C4, placed near the device, help to reduce any high-frequency crosstalk. Capacitor C3, placed near the SHDN pin on the device, helps to filter out any noise. For additional filtering, add resistor R2 to the EV kit after cutting the short across the pads for R2.

Modifying the EV Kit

The MAX2680/MAX2681/MAX2682 EV kits are easily used at RF frequencies from 400MHz to 2500MHz, and at IF frequencies from 10MHz to 500MHz. To operate at frequencies other than the factory configuration of 900MHz RF and 70MHz IF, refer to Tables 2 and 4 in the MAX2680/MAX2681/MAX2682 data sheet for the suggested component values. For operation at frequencies other than those given here, consult the graphs RF Port Impedance vs. RF Frequency and IF Port Impedance vs. IF Frequency in the *Typical Operating Characteristics* in the MAX2680/MAX2681/MAX2682 data sheet and follow typical impedance matching methods.

Evaluate: MAX2680/MAX2681/MAX2682

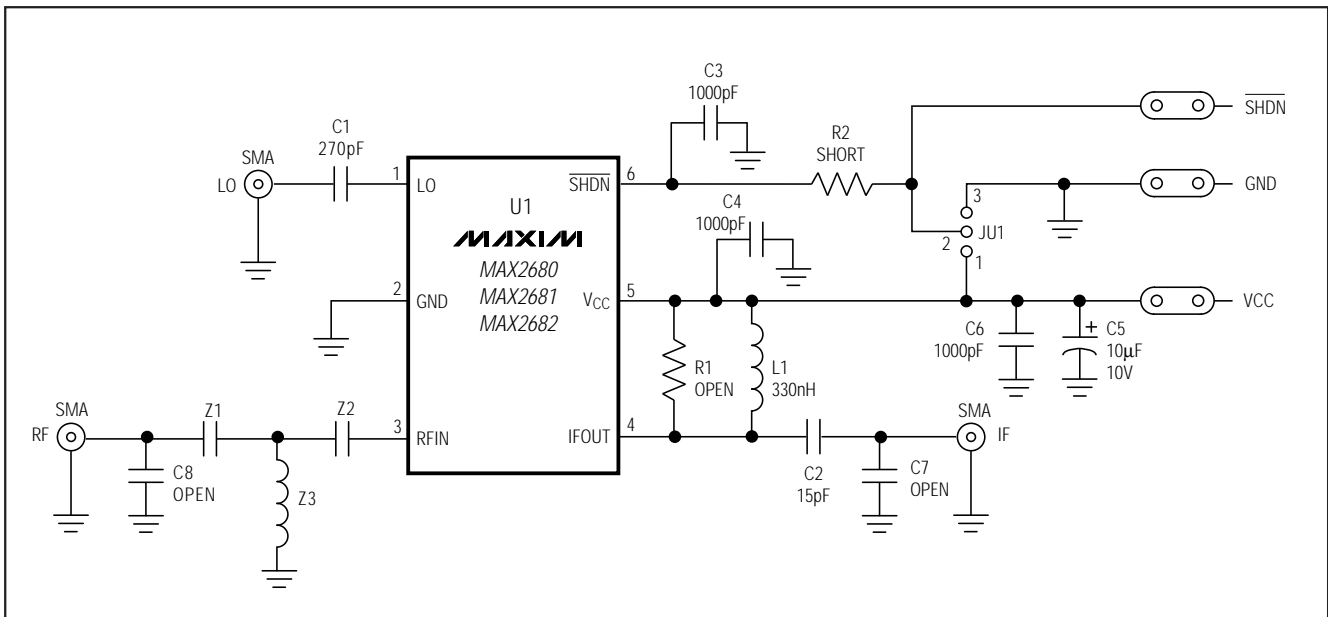


Figure 1. MAX2680/MAX2681/MAX2682 EV Kits Schematic

MAX2680/MAX2681/MAX2682 Evaluation Kits

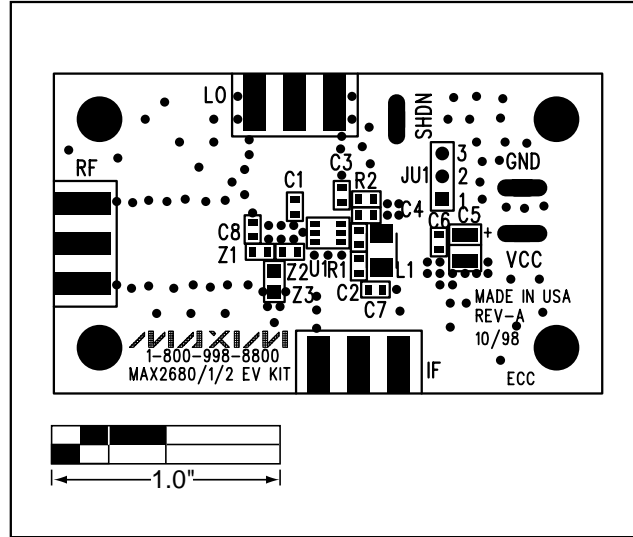


Figure 2. MAX2680/MAX2681/MAX2682 EV Kits PC Board Layout —Component Silkscreen

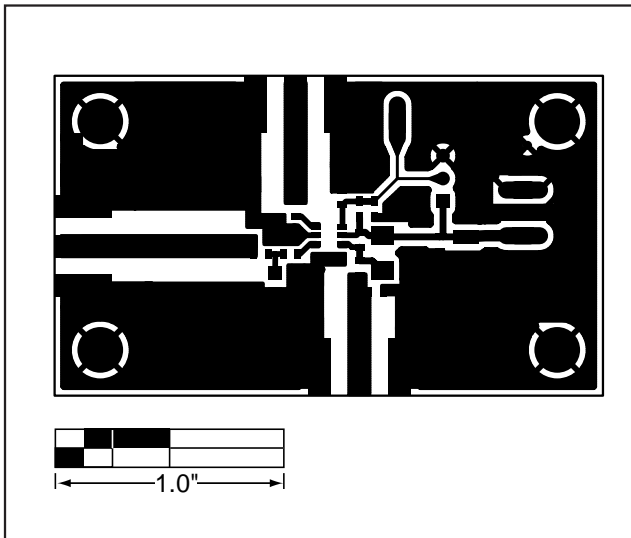


Figure 3. MAX2680/MAX2681/MAX2682 EV Kits PC Board Layout —Component Side Metal

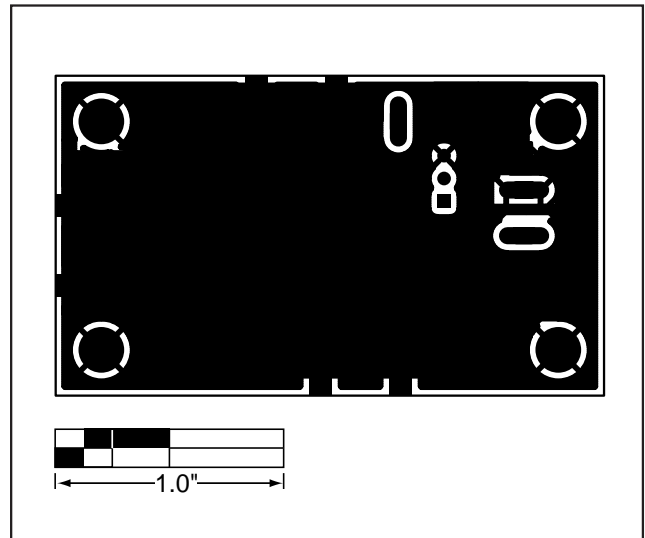


Figure 4. MAX2680/MAX2681/MAX2682 EV Kits PC Board Layout —Ground Plane

Maxim cannot assume responsibility for use of any circuitry other than circuitry entirely embodied in a Maxim product. No circuit patent licenses are implied. Maxim reserves the right to change the circuitry and specifications without notice at any time.

4 _____ Maxim Integrated Products, 120 San Gabriel Drive, Sunnyvale, CA 94086 408-737-7600