



UL98 Open and Enclosed Disconnect Switches

FEATURES

- One design used in direct and extended handle applications
- Enclosed switches are available in plastic, sheet metal and stainless steel enclosures
- Every design is lockable in OFF position
- Switching mechanism speed is independent from the operator
- Silver contacts ensure safe and durable operation
- Accessories include add-on 4th/neutral pole, auxiliary switches, shafts, door interlock handles and touch protectors



Watch Video
www.altechcorp.com/disconnect

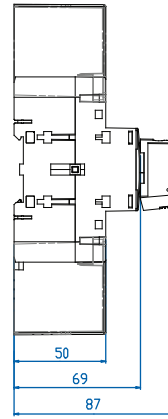
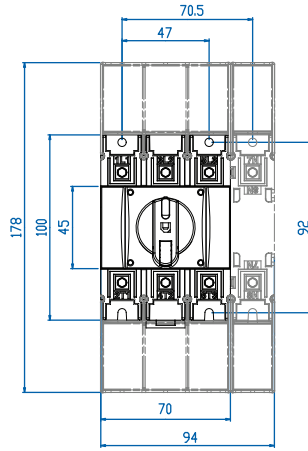


ORDERING INFORMATION

Catalog Number		General Purpose Current @ 600 V AC	Horsepower Rating					Short Circuit Withstand rating/Fuse size and Type	Terminal Size Acceptability (Cu only, 75° C)	Enclosure	Weight
3 Pole	4 Pole		1 Phase		3 Phase						
			120 V	240 V	240 V	480 V	600 V				
Open type switch											
KU360UL98	KU460UL98	60 A	3 HP	7 1/2 HP	20 HP	40 HP	60 HP	50 kA/60 A Class J	8 - 1/0 AWG	NA	0.45/0.59 kg
KU3100UL98	KU4100UL98	100A	5 HP	10 HP	25 HP	50 HP	75 HP	50 kA/100 A Class J	8 - 1/0 AWG	NA	0.45/0.59 kg
Polycarbonate enclosed switch, black handle											
KEM360UL98	KEM460UL98	60 A	3 HP	7 1/2 HP	20 HP	40 HP	60 HP	50 kA/60 A Class J	8 - 1/0 AWG	MF10	2.4/2.5 kg
KEM3100UL98	KEM4100UL98	100A	5 HP	10 HP	25 HP	50 HP	75 HP	50 kA/100 A Class J	8 - 1/0 AWG	MF11UL	3.3/3.4 kg
Polycarbonate enclosed switch, yellow/red handle											
KEM360UL98 Y/R	KEM460UL98 Y/R	60 A	3 HP	7 1/2 HP	20 HP	40 HP	60 HP	50 kA/60 A Class J	8 - 1/0 AWG	MF10	2.4/2.5 kg
KEM3100UL98 Y/R	KEM4100UL98 Y/R	100A	5 HP	10 HP	25 HP	50 HP	75 HP	50 kA/100 A Class J	8 - 1/0 AWG	MF11UL	3.3/3.4 kg
Sheet Metal enclosed switch, black handle											
KET360UL98	KET460UL98	60 A	3 HP	7 1/2 HP	20 HP	40 HP	60 HP	50 kA/60 A Class J	8 - 1/0 AWG	TR01	4.3/4.4 kg
KET3100UL98	KET4100UL98	100A	5 HP	10 HP	25 HP	50 HP	75 HP	50 kA/100 A Class J	8 - 1/0 AWG	TR02	9.7/9.8 kg
Sheet Metal enclosed switch, yellow/red handle											
KET360UL98 Y/R	KET460UL98 Y/R	60 A	3 HP	7 1/2 HP	20 HP	40 HP	60 HP	50 kA/60 A Class J	8 - 1/0 AWG	TR01	4.3/4.4 kg
KET3100UL98 Y/R	KET4100UL98 Y/R	100A	5 HP	10 HP	25 HP	50 HP	75 HP	50 kA/100 A Class J	8 - 1/0 AWG	TR02	9.7/9.8 kg
Stainless Steel enclosed switch, black handle											
KER360UL98	KER460UL98	60 A	3 HP	7 1/2 HP	20 HP	40 HP	60 HP	50 kA/60 A Class J	8 - 1/0 AWG	H01	3.3/3.4 kg
KER3100UL98	KER4100UL98	100A	5 HP	10 HP	25 HP	50 HP	75 HP	50 kA/100 A Class J	8 - 1/0 AWG	H02	6.9/7.0 kg
Stainless Steel enclosed switch, yellow/red handle											
KER360UL98 Y/R	KER460UL98 Y0/R	60 A	3 HP	7 1/2 HP	20 HP	40 HP	60 HP	50 kA/60 A Class J	8 - 1/0 AWG	H01	3.3/3.4 kg
KER3100UL98 Y/R	KER4100UL98 Y/R	100A	5 HP	10 HP	25 HP	50 HP	75 HP	50 kA/100 A Class J	8 - 1/0 AWG	H02	6.9/7.0 kg

DIMENSIONS

Open Type Switch
KU Series



Altech[®]
by **KATKO**

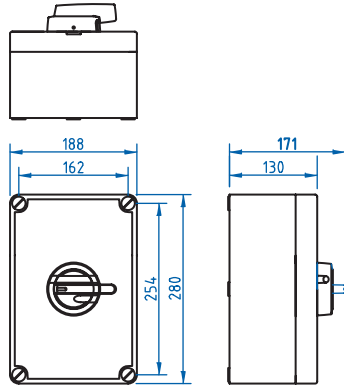
UL98 Open and Enclosed
Disconnect Switches

* Optional touch protectors shown in gray on drawing.

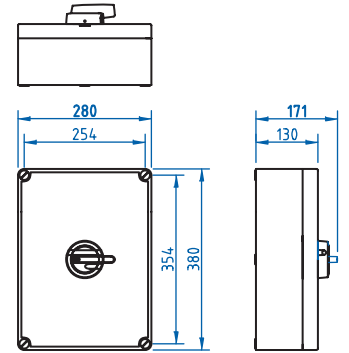
Plastic 3 Pole Enclosure
KEM Series



MF10



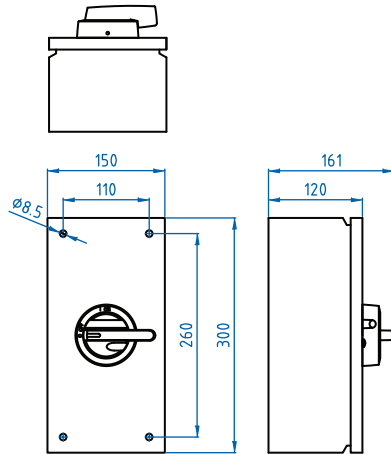
MF11UL



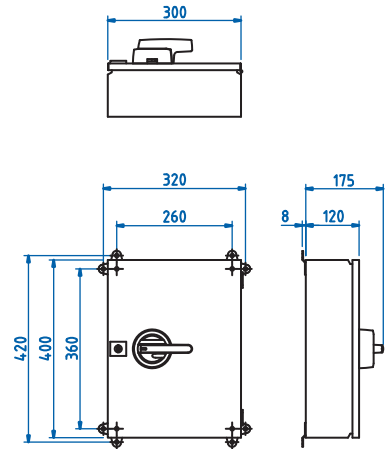
Sheet Metal 3 Pole Enclosure
KET Series



TR01



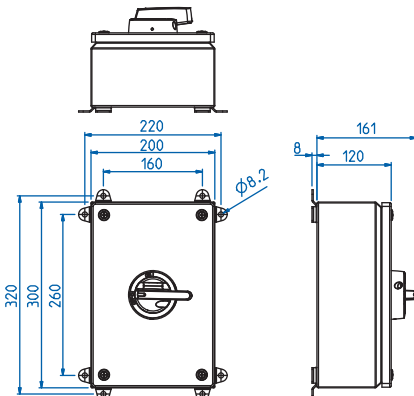
TR02



Stainless Steel 3 Pole Enclosure
KER Series



H01



H02

