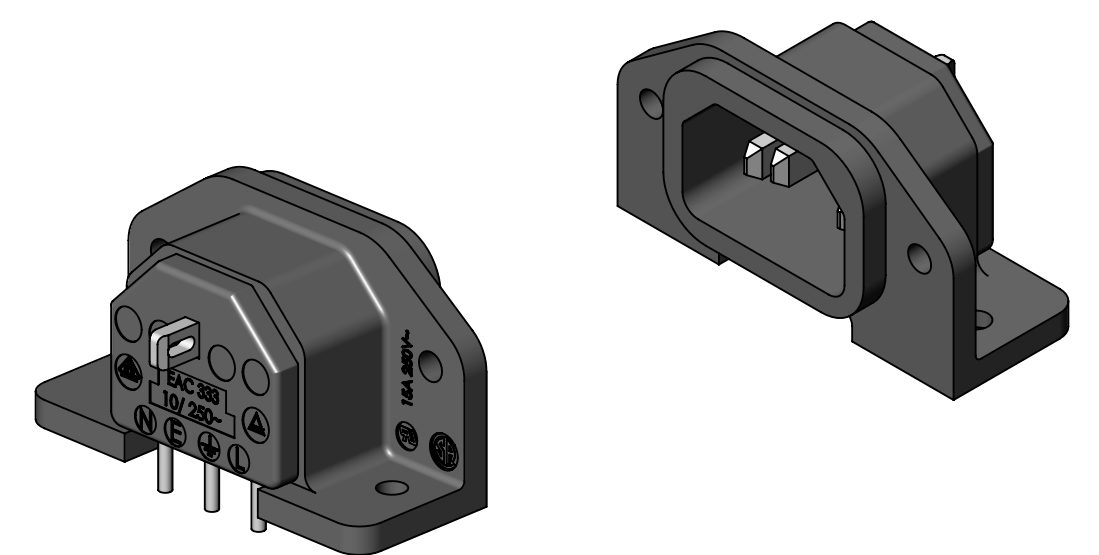


- NOTES:**
1. MEETS IEC 60320 SPECIFICATION.
 2. AGENCY APPROVAL & RATING:
VDE: 10A, 250V AC.
UL & CSA: 15A, 250V~ AC
 3. MATERIALS:
HOUSING AND COVER, BLACK THERMOPLASTIC.
TERMINALS, TIN PLATED COPPER ALLOY.
 4. THIS PRODUCT IS RoHS COMPLIANT.



CUSTOMER DRAWING

UNLESS OTHERWISE SPECIFIED 1. ALL DIMENSIONS IN INCHES [mm] - TWO PLACE DECIMALS ±0.02 [0.5] - THREE PLACE DECIMALS ±0.005 [0.13]					SIZE	WIDTH	MULT	LBS/M	TEMPER
					FINISH SPEC No.				
REV					ECO NUMBER	DATE	BY	APVD	REVISIONS
M	28549	01/16/23	PC	TJK	THIS DRAWING DESCRIBES A DESIGN CONSIDERED PROPRIETARY IN NATURE, DEVELOPED AND MANUFACTURED BY SWITCHCRAFT INC. AND IS RELEASED ON A CONFIDENTIAL BASIS FOR IDENTIFICATION PURPOSES ONLY. NAME MALE AC RECEPTACLE RIGHT ANGLE PC MOUNT, RoHS PART No. EAC333 REV M				
L	26887	11/29/11	BL	TJK					
K	24129	03/27/02	BL	TJK					
DO NOT SCALE DRAWING					SCALE 3:1 DATE DRAWN 05/05/89 BY TJK CHKD GHJ APVD RV 05/09/89 05/09/89				