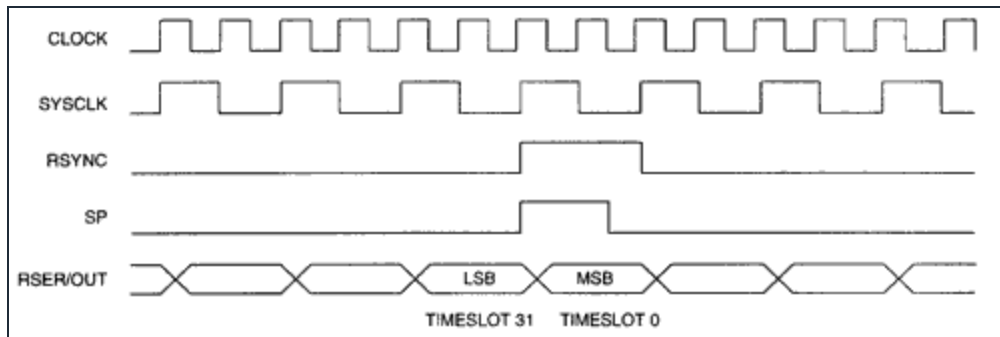


7. In "looped-timed" applications, close switch 1 and open switch 2.
8. In applications that cannot handle controlled slips, close switches 1 and 4 and open switches 2 and 3.
9. In DS2151 and DS2153 applications, the line interface block is included onboard the device.
10. Timing between the devices is shown below:



Related Parts

[DS2141A](#) T1 Controller

[DS2143](#) E1 Controller

More Information

For Technical Support: <http://www.maximintegrated.com/support>

For Samples: <http://www.maximintegrated.com/samples>

Other Questions and Comments: <http://www.maximintegrated.com/contact>

Application Note 315: <http://www.maximintegrated.com/an315>

APPLICATION NOTE 315, AN315, AN 315, APP315, Appnote315, Appnote 315

Copyright © by Maxim Integrated Products

Additional Legal Notices: <http://www.maximintegrated.com/legal>