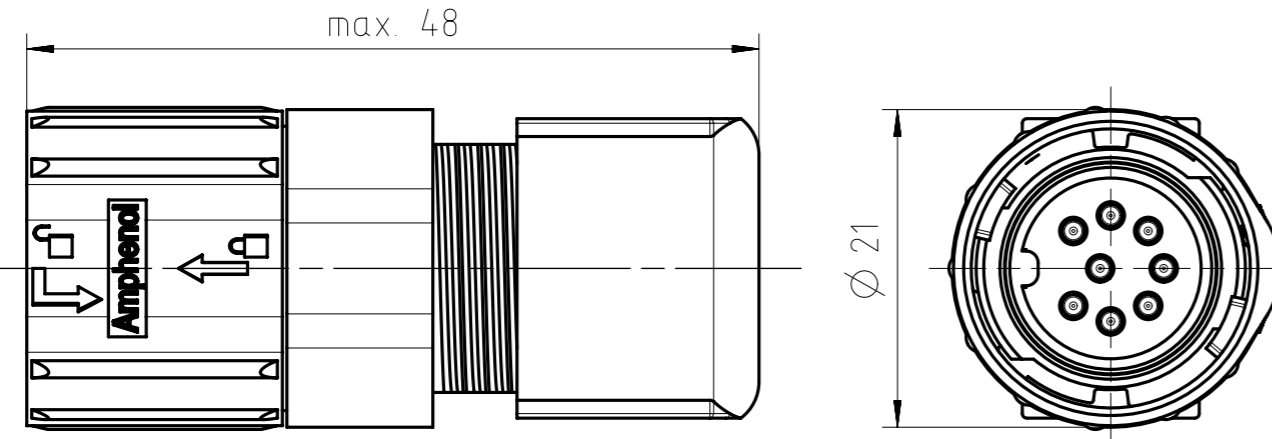


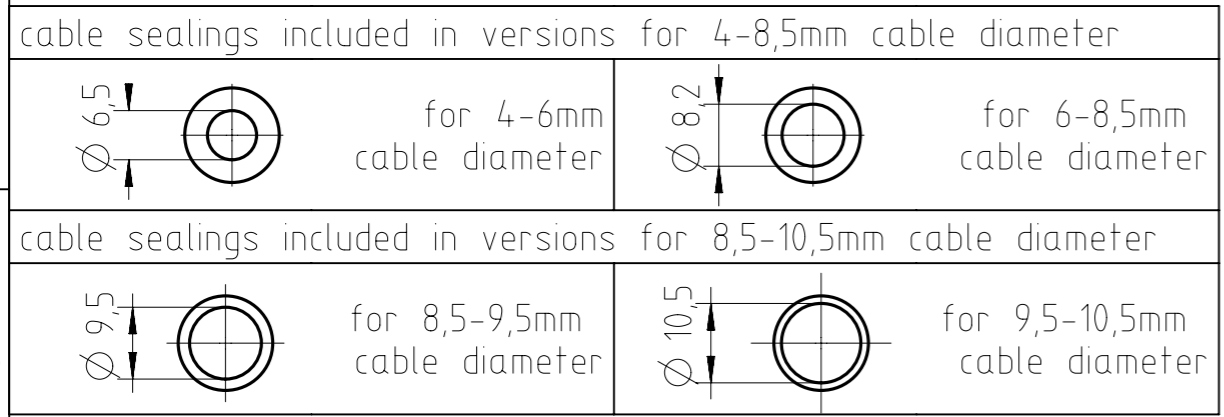
Weitergabe sowie Vervielfältigung dieser Unterlage, Verwertung und Mitteilung ihres Inhalts nicht gestattet, soweit nicht ausdrücklich zugestanden. Zuwiderhandlungen verpflichten zu Schadensersatz. Alle Rechte für den Fall der Patenterteilung oder Gebrauchsmuster-Eintragung vorbehalten.

Copying of this document and giving it to others and the use or communication of the contents thereof, are forbidden without express authority. Offenders are liable to the payment of damages. All rights are reserved in the event of the grant of a patent or the registration of the utility model or design.

8 7 6 5 4 3 2 1



Assembly instruction see N 22 091 0034



| | | | | | | | | | | | | | |
|---------------------------------|-----------------------------------|-------------------------------------|------|----------|-------|-------|-------------------------------|-------|----------|------|------|------|------|
| Number of contacts | Standard | 3 | 4 | 5 | 5 | 6 | 7 | 7 | 8 | 12 | 14 | 14 | 19 |
| Contact arrangement | IEC 61076-2-106 | 03-a | 04-a | 05-a | 05-b | 06-a | 07-a | 07-b | 08-a | 12-a | 14-a | 14-b | 19-a |
| Rated voltage | IEC 60664-1 | 150 V | | 100 V | 32 V | 100 V | | | 32 V | | | | |
| Rated impulse withstand voltage | IEC 60664-1 | 840 V | | 500 V | 840 V | | | 500 V | | | | | |
| Pollution degree ²⁾ | IEC 60664-1 | 3 ¹⁾ | | | | | | | | | | | |
| Installation category | IEC 60664-1 | I | | | | | | | | | | | |
| Insulation group | IEC 60664-1 | II, 400 ≤ CTI < 600 | | | | | | | | | | | |
| Current rating | IEC 60512-5-2 UL 1977 | 10A/+40°C | | 7A/+40°C | | | | | 3A/+40°C | | | | |
| Insulation resistance | IEC 60512-3-1 | >10 ¹⁰ Ohm ²⁾ | | | | | | | | | | | |
| Contact resistance | IEC 60512-2-1 | <5mOhm | | | | | | | | | | | |
| Climatic category | IEC 60668-1 | 40 / 100 / 56 | | | | | | | | | | | |
| Temperatur range | IEC 60668-1 | -40°C...+100°C / -40°F...+212°F | | | | | | | | | | | |
| IP degree | IEC 60529 | IP 68 (in mated condition) | | | | | | | | | | | |
| Insertion and withdrawal force | IEC 60512-13-2 | 25N | 30N | 35N | 35N | 50N | 55N | 55N | 60N | 50N | 50N | 50N | 60N |
| mechanical operation | IEC 60512-9-1 | ≥500 mating cycles | | | | | | | | | | | |
| housing material | | thermoplastic | | | | | | | | | | | |
| dielectric material | | thermoplastic | | | | | | | | | | | |
| sealing material | | chloroprene, silicone | | | | | | | | | | | |
| contacts | | silver or gold plated | | | | | | | | | | | |
| termination technique | | solder | | | | | | | | | | | |
| wire gauge | | ≤0,5mm ² / 20 AWG | | | | | ≤0,35mm ² / 22 AWG | | | | | | |
| flamability | | UL 94 V0 | | | | | | | | | | | |
| locking system | IEC 60130-9 DIN EN 61076-2-106 | Quicklock system | | | | | | | | | | | |

| | | | | |
|--|--------------|----|---------------------|---------------------|
| | 19 (19-a) | Ag | C091 31H019 100 5 U | C091 31H019 102 5 U |
| | | Au | C091 31H019 200 5 U | C091 31H019 202 5 U |
| | 14 (14-b) | Ag | C091 31H114 100 5 U | C091 31H114 102 5 U |
| | | Au | C091 31H114 200 5 U | C091 31H114 202 5 U |
| | 14 (14-a) | Ag | C091 31H014 100 5 U | C091 31H014 102 5 U |
| | | Au | C091 31H014 200 5 U | C091 31H014 202 5 U |
| | 12 (12-a) | Ag | C091 31H012 100 5 U | C091 31H012 102 5 U |
| | | Au | C091 31H012 200 5 U | C091 31H012 202 5 U |
| | 8 (08-a) | Ag | C091 31H008 100 5 U | C091 31H008 102 5 U |
| | | Au | C091 31H008 200 5 U | C091 31H008 202 5 U |
| | 7 (07-b) | Ag | C091 31H107 100 5 U | C091 31H107 102 5 U |
| | | Au | C091 31H107 200 5 U | C091 31H107 202 5 U |
| | 7 (07-a) | Ag | C091 31H007 100 5 U | C091 31H007 102 5 U |
| | | Au | C091 31H007 200 5 U | C091 31H007 202 5 U |
| | 6 (6-a) | Ag | C091 31H006 100 5 U | C091 31H006 102 5 U |
| | | Au | C091 31H006 200 5 U | C091 31H006 202 5 U |
| | 5 (05-b) | Ag | C091 31H105 100 5 U | C091 31H105 102 5 U |
| | | Au | C091 31H105 200 5 U | C091 31H105 202 5 U |
| | 5 (05-a) | Ag | C091 31H005 100 5 U | C091 31H005 102 5 U |
| | | Au | C091 31H005 200 5 U | C091 31H005 202 5 U |
| | 4 (04-a) | Ag | C091 31H004 100 5 U | C091 31H004 102 5 U |
| | | Au | C091 31H004 200 5 U | C091 31H004 202 5 U |
| | 3 (03-a) | Ag | C091 31H003 100 5 U | C091 31H003 102 5 U |
| | | Au | C091 31H003 200 5 U | C091 31H003 202 5 U |

| | | | | |
|--|--|-----------------|---|--|
| Contact arrangement View on mating side | Number of contacts (Contact arrangement acc. DIN EN 61076-2-106) | contact plating | Part number for cable diameters 4-8,5mm | Part number for cable diameters 8,5-10,5mm |
|--|--|-----------------|---|--|

| | | | | | | | | | |
|--------------------------------|------------------------|-----------------------|--------|--|--|--|--|--|--|
| Gewicht (errechnet) / Calc WT: | | Zul. Abw./Tolerances: | | Maßstab / Scale: 2:1 | | A3 | | | |
| Prüfmaß / Testdimension | | ± 0,50 | | DIN / ISO 13715 | | CUSTOMER DRAWING | | | |
| Teileindex / Partindexnumber: | | | | | | | | | |
| Bagatelle change: | | | | | | Kabelstecker Quicklock Male cable connector Quicklock | | | |
| | | | | | | | | | |
| | | Gez. 11.09.2020 | | | | Blatt / Sheet 1 | | | |
| | | Drawn MCARLE | | | | | | | |
| | | Status Released | | | | 1 Bl. | | | |
| | | Gepr. 21.07.2021 | | | | | | | |
| | | Checked MBERTSCH | | | | Ers. f. / Replacement for: | | | |
| | | | | | | | | | |
| 04 | 201800273 | 21.07.2021 | MCARLE | Amphenol Tuchel Industrial GmbH | | M C091 31HXXX X0X 5 U | | | |
| 03 | 201800273 | 24.06.2021 | MCARLE | | | | | | |
| 02 | 201800273 | 17.06.2021 | MCARLE | | | | | | |
| 01 | 201800273 | 27.11.2020 | MCARLE | | | | | | |
| Index | Änderung / Description | Datum / Date | Name | | | | | | |

¹⁾ designed acc. pollution degree 2; can be used under pollution degree 3 when the rules of IEC 60664-1 are fulfilled
²⁾ under operating conditions >10⁸ Ohm
 Do not connect or disconnect under load. Metal housing parts shall be securely incorporated to protected ground.
 Remark for gold plated contacts:
 In order to avoid brittle inter-metallic connections, gold plated terminals have to be tin-plated in the solder area.
 All technical data have been measured in a laboratory environment and can be different during practical usage of the product. Any product information is for descriptive usage only and not legally binding; particularly the information does not constitute or provide any legal guaranties ("Beschaffungsgarantie" or "Haltbarkeitsgarantie").

FAI2021-003065 NXM-V01