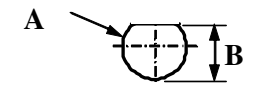
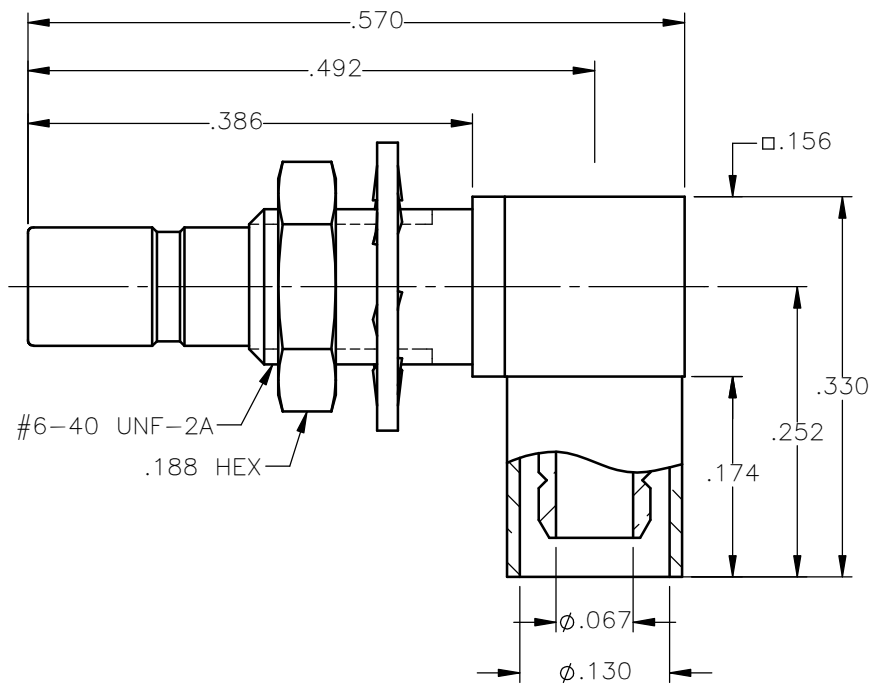
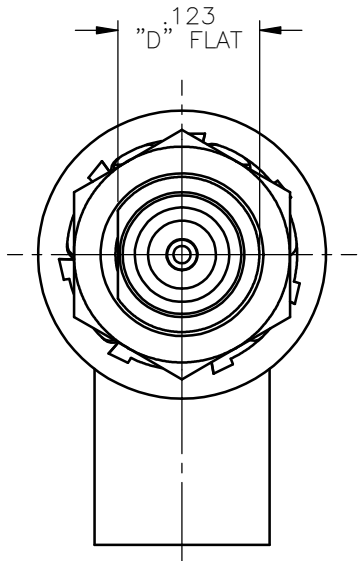


**PANEL CUT OUT**



inches		
	Maxi	mini
<b>A</b>	<b>.143</b>	<b>.140</b>
<b>B</b>	<b>.129</b>	<b>.126</b>

REVISIONS			
REV.	DESCRIPTION	DATE	APPROVED
A	INITIAL RELEASE	07/05/18	D.N.





NOTES:

MATERIALS:

- CONTACT = BERYLLIUM COPPER PER ASTM B196, ALLOY C17300, TEMPER TD04.
- INSULATORS = VIRGIN WHITE TEFLON PER ASTM D1710, GRADE 1, TYPE I, CLASS "B".
- CRIMP SLEEVE = SEAMLESS LOWLEAD BRASS TUBE, ALLOY 330, SOFT ANNEAL TEMPER, .025/.060 GRAIN SIZE OR SEAMLESS COPPER TUBE PER ASTM B75, TYPE C12000, TEMPER: LIGHT ANNEAL O50 EXCEPT YIELD STRENGTH.
- LOCKWASHER = PHOSPHOR BRONZE PER ASTM B139, COPPER ALLOY C53400, TEMPER H04.
- SHRINK SLEEVE = RNF 100, YELLOW (NOT SHOWN)
- ALL OTHER METAL PARTS = BRASS PER ASTM B16, ALLOY C36000, TEMPER H02.

FINISHES:

- CONTACT = GOLD PLATE PER ASTM B488-11, TYPE II, 50µin MIN, GRADE C, OVER 100 TO 200µin STRESS FREE SULFAMATE NICKEL PER AMS-QQ-N-290.
- ALL OTHER METAL PARTS = GOLD PLATE PER ASTM B488-11, TYPE II, 30µin MIN, GRADE C OVER 100 TO 200µin COPPER STRIKE PER AMS 2418.

UNLESS OTHERWISE SPECIFIED DIMENSIONS ARE IN INCHES TOLERANCES ON	DWN: DATE	 <b>Property of Radiall</b> This document cannot be reproduced or communicated to a third party without prior written permission of RADIALL.				
	D.N. DATE					
DECIMAL	ANGLE	CHKD: DATE	<b>SSMB RIGHT ANGLE JACK</b> <b>BULKHEAD REAR MOUNT/CRIMP TYPE</b> <b>FOR RG-316DS &amp; SIMILAR CABLES</b>			
		C.E. DATE				
REFERENCE:	MATERIALS & FINISHES:	APVD: DATE	SIZE	FSCM NO.	DWG NO.	REV
ORIGINATED: D.N. DATE: 07/05/18	SEE NOTES	J.M. DATE	A	19505	7406-1521-019	A
			SCALE 6:1	THIRD ANGLE PROJECTION		SHEET 1 OF 1

7406-1521-019