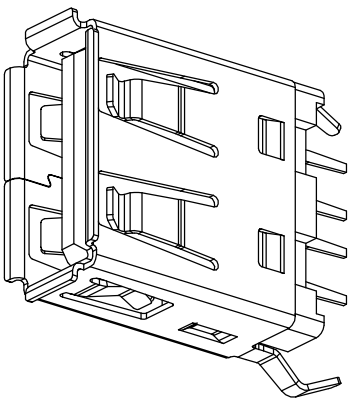
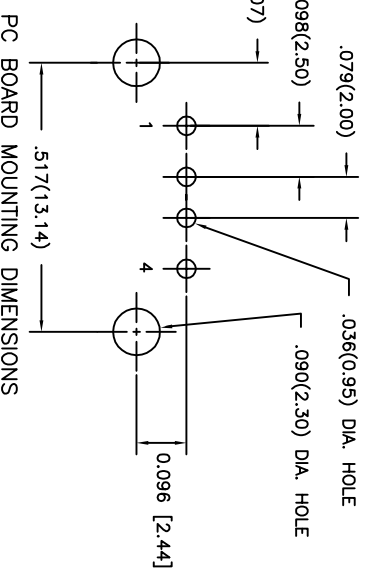


GENERAL TOLERANCES: ±0.10(0.25) EXCEPT ON PCB LAYOUT AND CONTACTS SPACING ±.006(0.15)



THIS SERIES FULLY CONFORMS TO THE EUROPEAN UNION DIRECTIVES 2011/65/EU FOR ROHS COMPLIANCY.

ISSUE NUMBER
RE-DWG. APR.22/08 ⑤
F.BRIONES
RE-DWG. SEP.14/08 ⑥
F.BRIONES
REMOVE 15u" GOLD RSTA.MONICA JUN.29/10 ⑦
RSTA.MONICA
TAILS DIM'S ADDED F.BRIONES JUN.22/11 ⑧
F.BRIONES
TOLERANCES ADDED F.BRIONES JUN.29/11 ⑨
F.BRIONES
ADD NOTES FORCES RSTA.MONICA JUN.26/14 ⑩
RSTA.MONICA
NEW METAL SHELL RSTA.MONICA SEPT.12/14 ⑪
RSTA.MONICA
ADD ELEC. SPECS RSTA.MONICA APR.11/2016 ⑫
RSTA.MONICA
NEW TOOLING RSTA.MONICA OCT.30/2016 ⑬
RSTA.MONICA

**ELECTRICAL:**  
 RATED CURRENT: 1.5A  
 RATED VOLTAGE: 30V (rms) MAX  
**FORCES:**  
 MATING FORCE: 35N MAX  
 UNMATING FORCE: 10N MIN  
**MATERIALS:**  
 SHELL: COPPER ALLOY, NICKEL PLATED  
 CONTACTS: COPPER ALLOY GOLD PLATE ON CONTACT AREA  
 TIN ON TAIL END  
 GOLD FLASH  
 30 MICRONS OF GOLD  
 260 CONTACT CODE  
 660 CONTACT CODE  
 INSULATOR: THERMOPLASTIC (HIGH TEMPERATURE RESISTANCE)  
 PART NUMBER: 690-004-260-013

CONTACT CODE \_\_\_\_\_

USB CONNECTOR A TYPE, VERTICAL, SINGLE DECK

**EDAC INC**  
 TORONTO, ONTARIO  
 CANADA  
 YOUR CONNECTION TO QUALITY & SERVICE

THESE DRAWINGS AND SPECIFICATIONS ARE THE PROPERTY OF EDAC INC AND SHALL NOT BE REPRODUCED OR COPIED OR USED AS THE BASIS FOR THE MANUFACTURE OR SALE OF APPARATUS WITHOUT WRITTEN PERMISSION.

ACAD REFERENCE NO. 690-004-260-013	DATE: OCT 16/98
DRAWN: J.CHOW	DATE:
CHECKED:	
SCALE: (IN C.A.D. 1:1)	SHEET 1 OF 1
DRAWING NUMBER 690-004-260-013	ISSUE 13