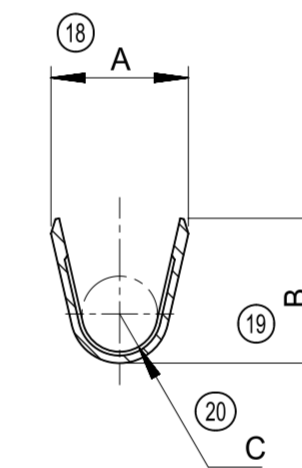
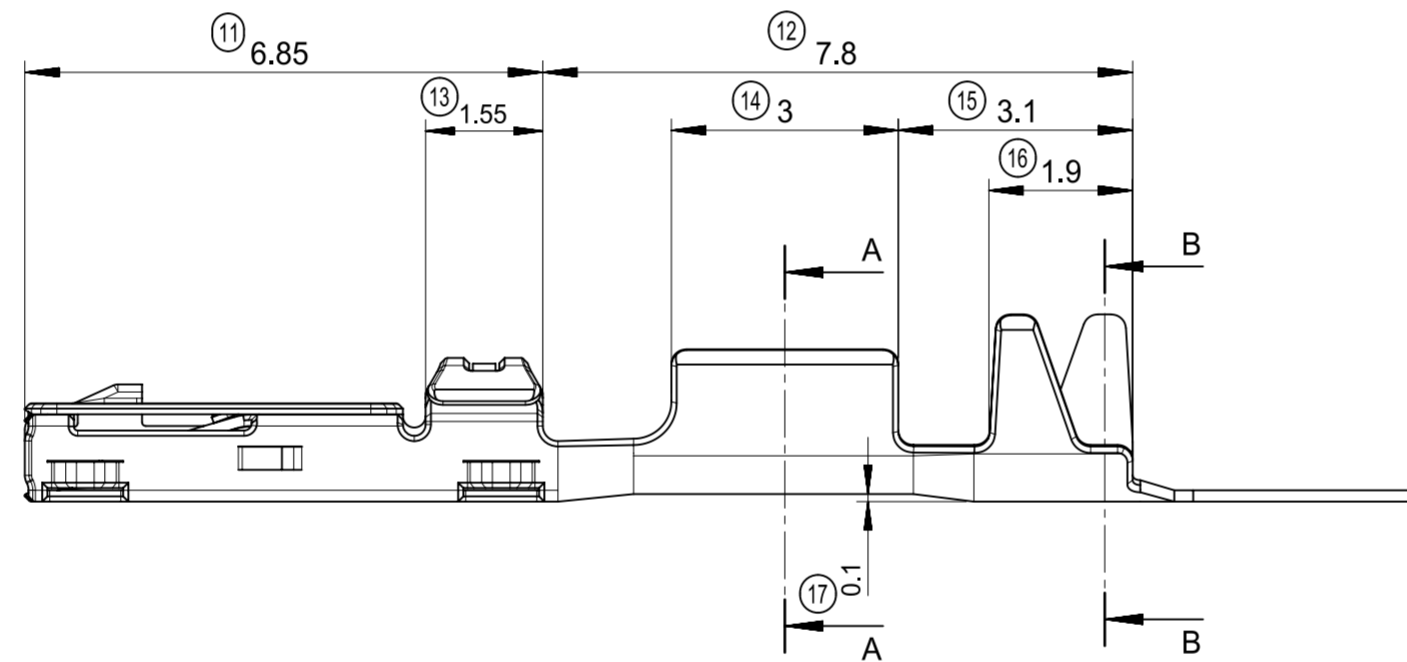
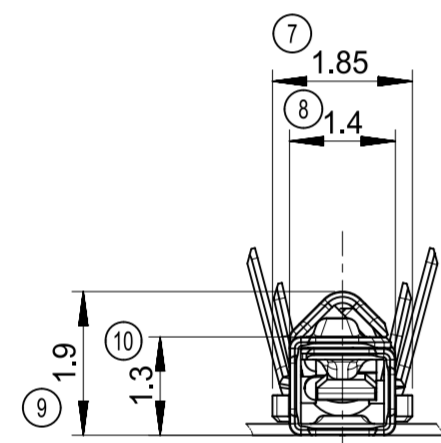


NOTES:

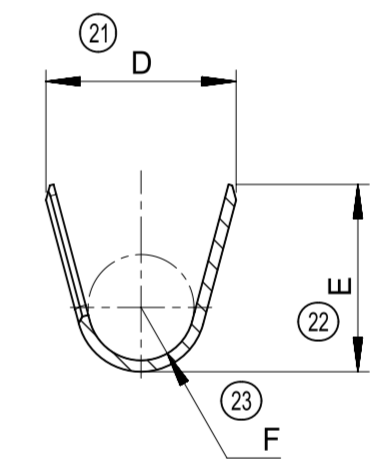
- 1. 材料：銅合金
- 2. めっき仕様：すずめっき
- 3. 最新の適用電線と仕様は、端子の圧着仕様書：AS-560121-001を参照すること

NOTES:

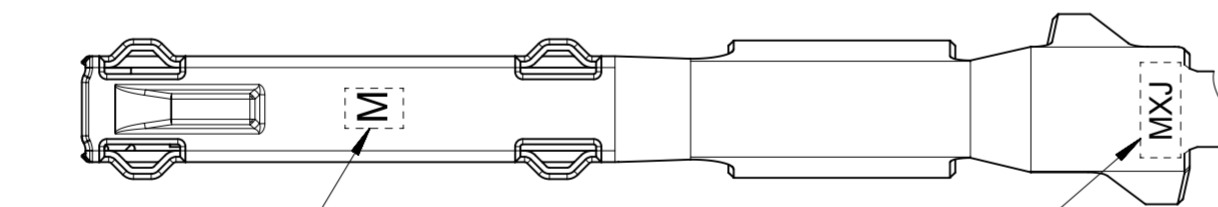
- 1. MATERIAL : COPPER ALLOY
- 2. PLATING SPECIFICATION : Tin PLATING
- 3. PLEASE CHECK THE TERMINAL CRIMPING SPECIFICATIONS : AS-560121-001 FOR THE LATEST APPLICABLE WIRES AND OTHER CRIMPING SPECIFICATION.



SECTION A-A



SECTION B-B



バレルサイズマーク
GRIP CODE

ロゴマーク
LOGO MARK

端子品番 PART NO.	バレル記号 GRIP CODE	適応電線 APPLICABLE WIRE SIZE		寸法 DIMENSION					
				A	B	C	D	E	F
560121-0102	M	AVSS, AVSSH, AESSX	0.3 - 0.5mm ²	1.82	(1.91)	R0.5	2.51	(2.48)	R0.7
		CIVUS, FLRYW-B	0.35 - 0.5mm ²						
		FLRY-B	0.5mm ²						

THIS DRAWING CONTAINS INFORMATION THAT IS PROPRIETARY TO MOLEX ELECTRONIC TECHNOLOGIES, LLC AND SHOULD NOT BE USED WITHOUT WRITTEN PERMISSION

DIMENSION UNITS	SCALE
mm	10:1

CURRENT REV DESC:

EC NO: 620314
 DRWN: GABE 2019/07/04
 CHK'D: TIIDA01 2019/07/17
 APPR: TOSADA 2019/07/18

INITIAL REVISION:
 DRWN: TIIDA01 2014/01/30
 APPR: MAYAMAMOTO 2015/11/09

THIRD ANGLE PROJECTION DRAWING SERIES
 A2-SIZE 560121

molex

CTX-J 50 RECEPTACLE
 TERMINAL SEALED

PRODUCT CUSTOMER DRAWING

DOCUMENT NUMBER	DOC TYPE	DOC PART	REVISION
SD-560121-001	PSD	001	B

MATERIAL NUMBER	CUSTOMER	SHEET NUMBER
	GENERAL MARKET	1 OF 1

GENERAL TOLERANCES (UNLESS SPECIFIED)		
10 UNDER		±0.3
10 OVER 30 UNDER		±0.4
30 OVER		±0.5
ANGULAR		±5°