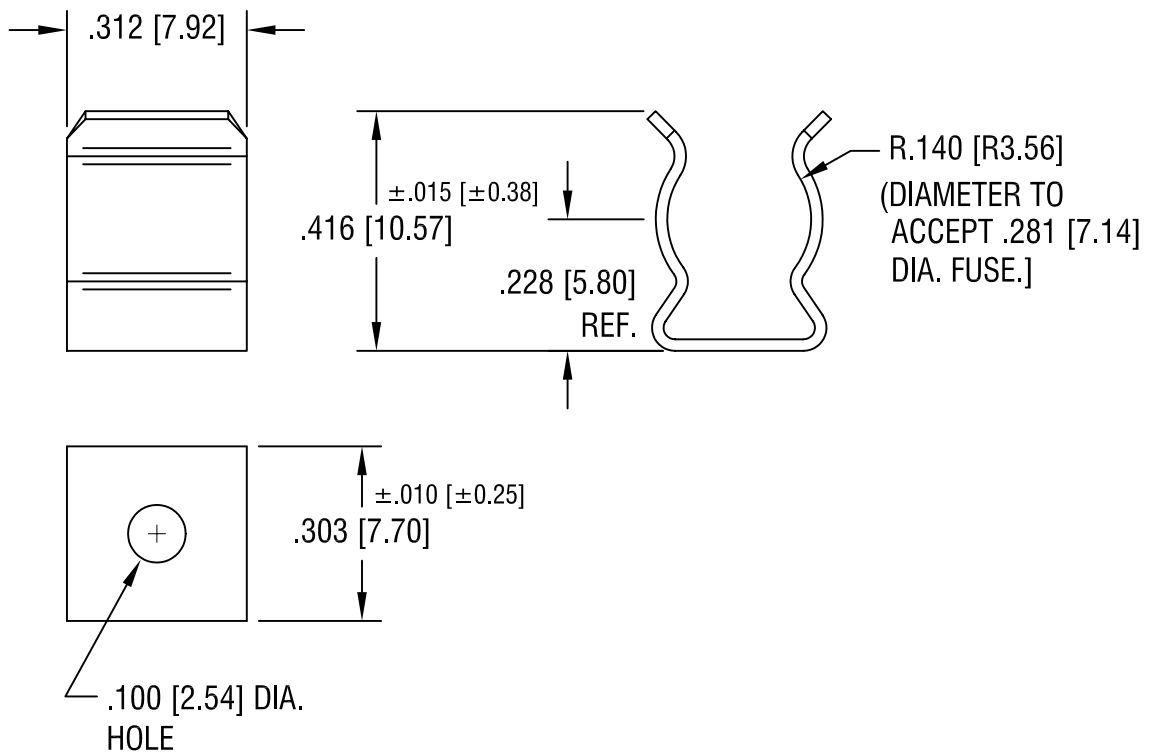


THIS DOCUMENT IS THE PROPERTY OF
KEYSTONE ELECTRONICS CORP. AND
SHALL NOT BE REPRODUCED, DISTRIBUTED
OR USED AS A BASIS FOR MANUFACTURE
WITHOUT PRIOR WRITTEN PERMISSION
FROM KEYSTONE ELECTRONICS CORP.



5.11.04 | CHANGE AS PER ECN 04-032

C

DATE	DESCRIPTION	REV.
5.11.04	CHANGE AS PER ECN 04-032	C

KEYSTONE ELECTRONICS CORP.

ASTORIA, N.Y. 11105-2017

PART NAME

.281 DIA. FUSE CLIP

MATERIAL

.020 [0.50] TH'K BRASS

FINISH

NICKEL PLATE

DRN BY

BOONE

DATE

12.10.98

APPD

LN

SCALE

3X

TOLERANCES

INCH [MM]

DECIMAL $\pm .005$ [± 0.15]

ANGULAR $\pm 1^\circ$

UNLESS OTHERWISE SPECIFIED

CODE

C

DWG NO.

3565