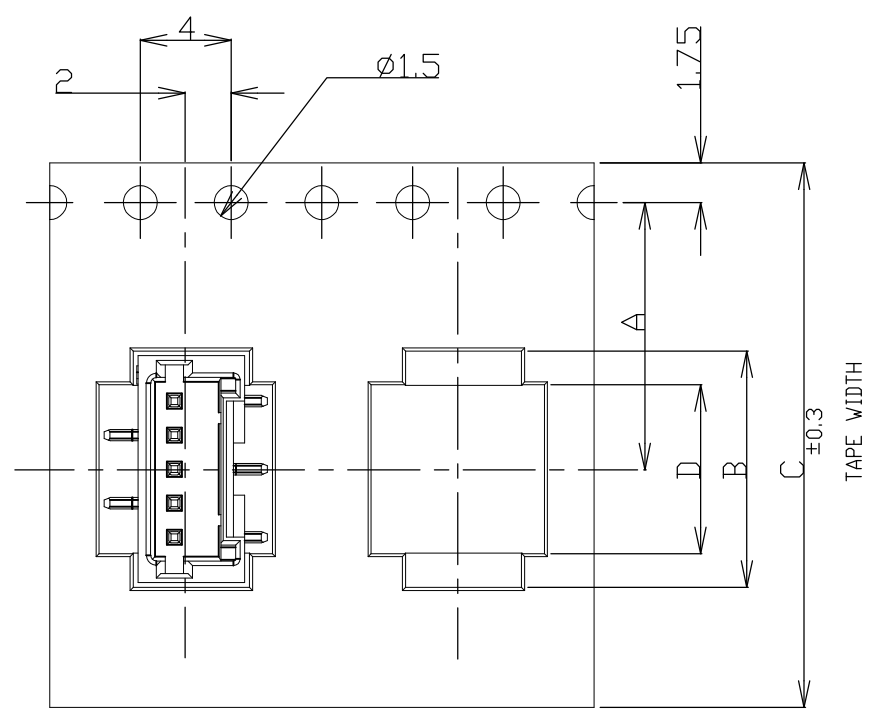
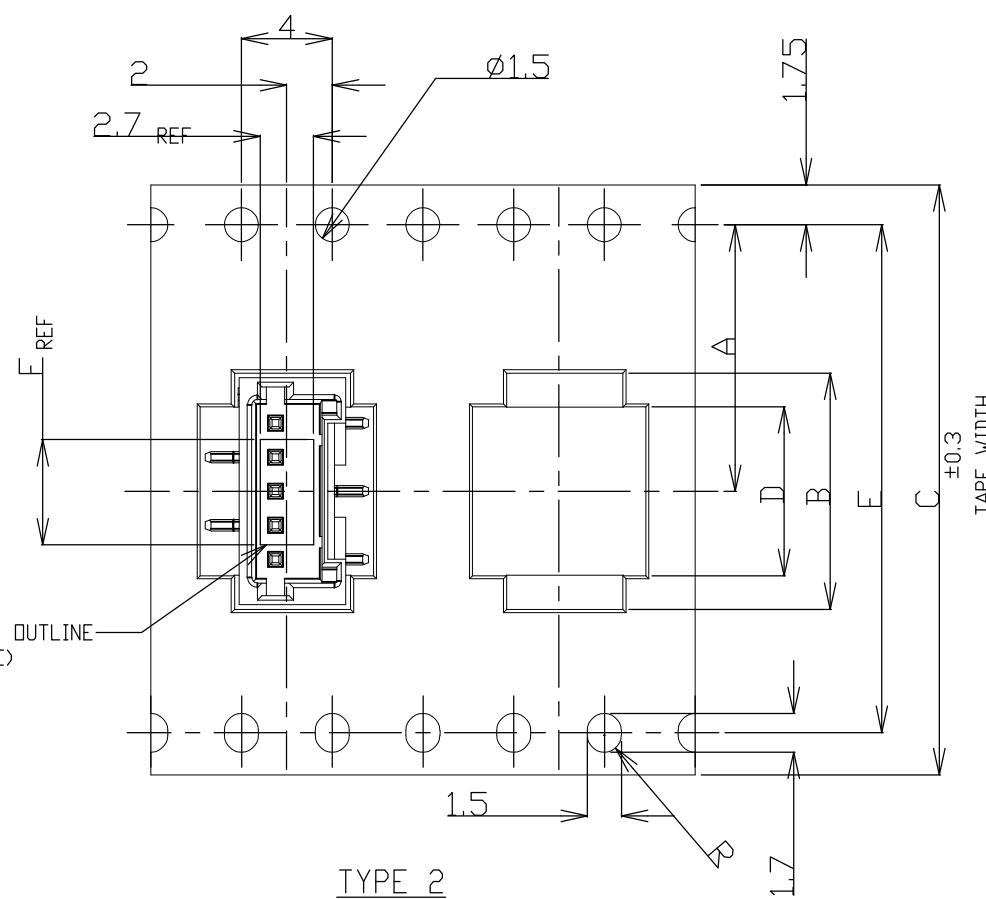


THIS DRAWING IS UNPUBLISHED. RELEASED FOR PUBLICATION
 © COPYRIGHT - By - ALL RIGHTS RESERVED.

LOC		DIST		REVISIONS					
ES		00		P	LTR	DESCRIPTION	DATE	DWN	APVD
					D1	REVISED PER ECO-11-005033	28MAR11	RK	HMR



TYPE 1

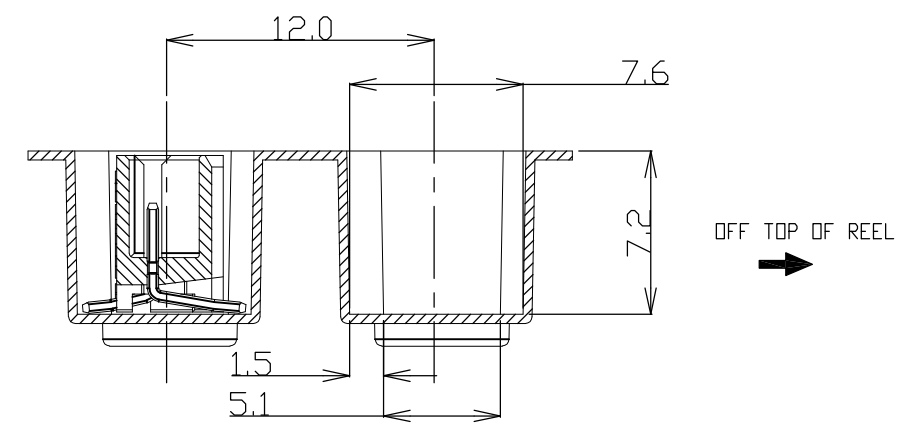
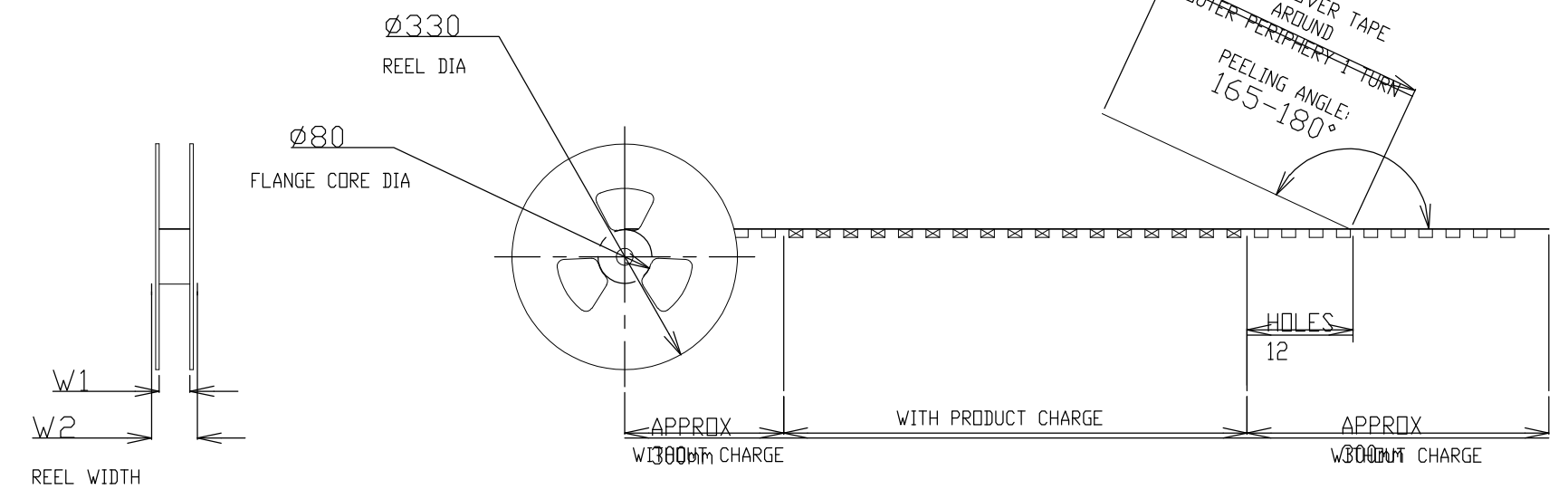
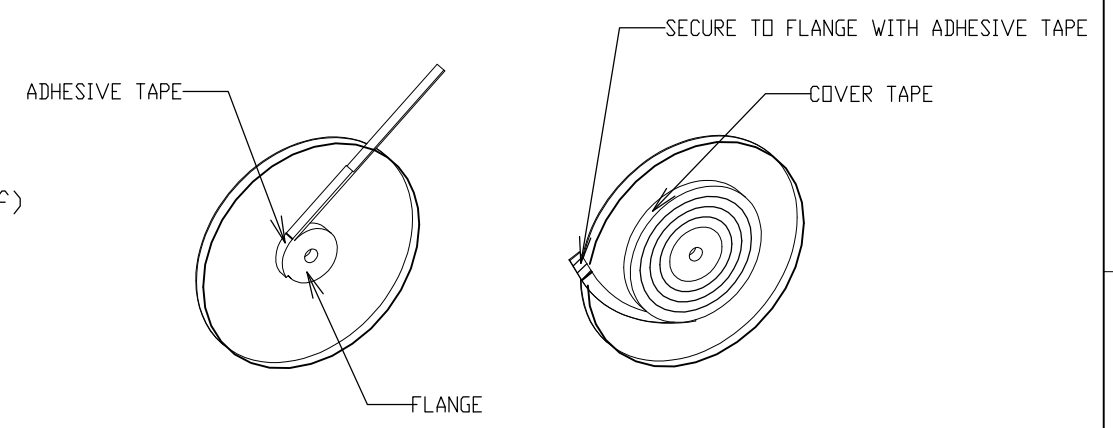


TYPE 2

TOLERANCES UNLESS OTHERWISE SPECIFIED:

10 >	: ±0.2
30 > * > 10	: ±0.25
100 > * > 30	: ±0.3
ANGLE	: ±3°

NOTE:
 1. PEELING STRENGTH: 0.20-0.69N (20-70gf)
 PEELING ANGLE: 165-180°
 PEELING SPEED: 300mm/MINUTE.



THIS DRAWING IS A CONTROLLED DOCUMENT.		DWN	S.XU	31JAN03	STE TE Connectivity
		CHK	S.YAO	31JAN03	
		APVD	T.SASAKI	31JAN03	NAME
		PRODUCT SPEC			AMP MINI COMMON TERMINATED (CT) CONNECTOR
		APPLICATION SPEC			1.5 mm PITCH SINGLE ROW POST HDR ASS'Y (V)
		WEIGHT			SMT TYPE WITHOUT BOSS, EMBOSS TAPE PACKAGED
		SIZE	CAGE CODE	DRAWING NO	RESTRICTED TO
		A3 00779		C-292231	-
		CUSTOMER DRAWING		SCALE	NON
		SHEET		1 OF 4	REV
				D1	


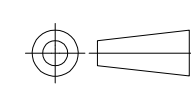
THIS DRAWING IS UNPUBLISHED. RELEASED FOR PUBLICATION
 © COPYRIGHT - By - ALL RIGHTS RESERVED.

LOC	DIST	REVISIONS					
ES	00	P	LTR	DESCRIPTION	DATE	DWN	APVD
		-		SEE SHEET 1	-	-	-

TYPE	DIMENSIONS								QTY/REEL	POS	COLOR	ON TAPE P/N	
	W2	W1	F	E	D	C	B	A					
TYPE 2	49.5	45.5	6.2	40.4	29.9	44	32.9	20.2±0.15	500	20	BLACK	7-292231-0	
	49.5	45.5	4.7	40.4	28.4	44	31.4		500	19		6-292231-9	
	49.5	45.5	6.2	40.4	26.9	44	29.9		500	18		6-292231-8	
	49.5	45.5	4.7	40.4	25.4	44	28.4		500	17		6-292231-7	
	49.5	45.5	6.2	40.4	23.9	44	26.9		500	16		6-292231-6	
	49.5	45.5	4.7	40.4	22.4	44	25.4		500	15		6-292231-5	
	49.5	45.5	6.2	40.4	20.9	44	23.9		500	14		6-292231-4	
	49.5	45.5	4.7	40.4	19.4	44	22.4		500	13		6-292231-3	
	37.5	33.5	6.2	28.4	17.9	32	20.9		14.2	500		12	6-292231-2
	37.5	33.5	4.7	28.4	16.4	32	19.4		14.2	500		11	6-292231-1
TYPE 1	29.5	25.5	6.2	-	11.9	24	14.9	11.5	500	8	5-292231-8		
	29.5	25.5	4.7	-	10.4	24	13.4	11.5	500	7	5-292231-7		
	29.5	25.5	6.2	-	8.9	24	11.9	11.5	500	6	5-292231-6		
	29.5	25.5	4.7	-	7.4	24	10.4	11.5	500	5	5-292231-5		
	21.5	17.5	6.2	-	5.9	16	8.9	7.5	500	4	5-292231-4		
	21.5	17.5	4.7	-	4.4	16	7.4	7.5	500	3	5-292231-3		
	21.5	17.5	2.8	-	2.9	16	5.9	7.5	500	2	-		
TAPE TYPE	W2	W1	F	E	D	C	B	A	QTY/REEL	POS	COLOR	ON TAPE P/N	

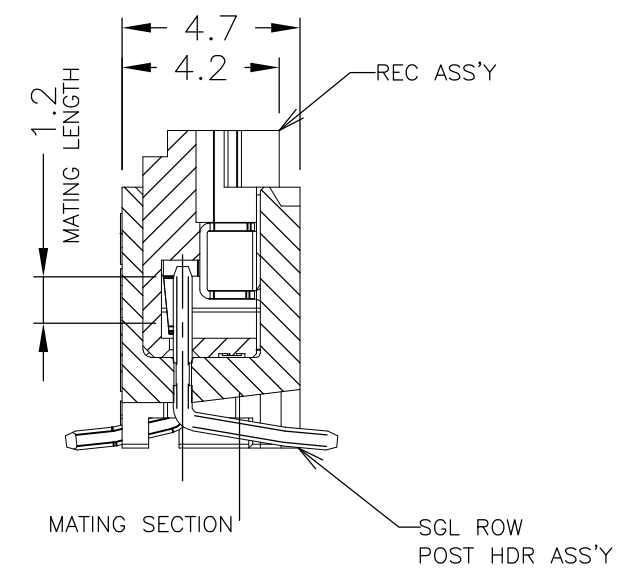
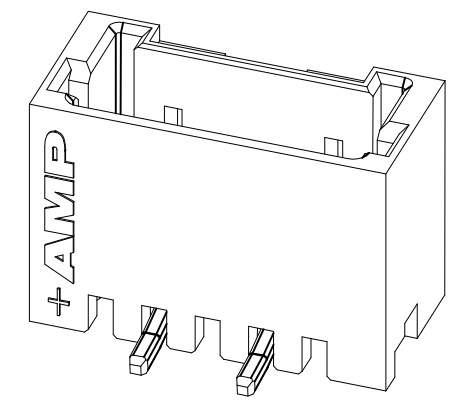
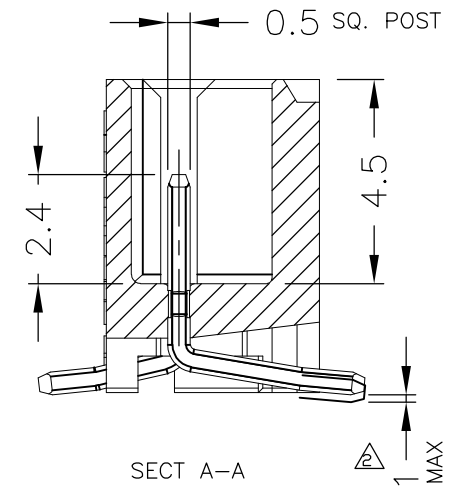
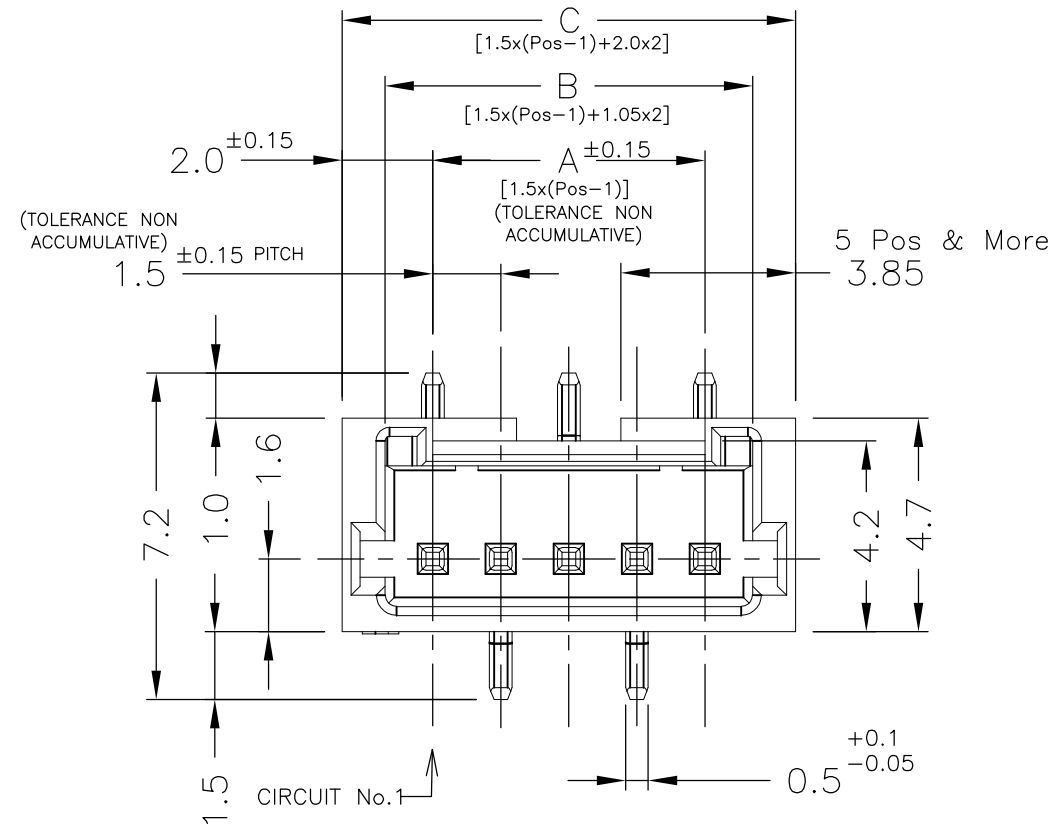
REACTIVATE

TYPE	DIMENSIONS								QTY/REEL	POS	COLOR	ON TAPE P/N	
	W2	W1	F	E	D	C	B	A					
TYPE 2	49.5	45.5	6.2	40.4	29.9	44	32.9	20.2±0.15	500	20	BEIGE	2-292231-0	
	49.5	45.5	4.7	40.4	28.4	44	31.4		500	19		1-292231-9	
	49.5	45.5	6.2	40.4	26.9	44	29.9		500	18		1-292231-8	
	49.5	45.5	4.7	40.4	25.4	44	28.4		500	17		1-292231-7	
	49.5	45.5	6.2	40.4	23.9	44	26.9		500	16		1-292231-6	
	49.5	45.5	4.7	40.4	22.4	44	25.4		500	15		1-292231-5	
	49.5	45.5	6.2	40.4	20.9	44	23.9		500	14		1-292231-4	
	49.5	45.5	4.7	40.4	19.4	44	22.4		500	13		1-292231-3	
	37.5	33.5	6.2	28.4	17.9	32	20.9		14.2	500		12	1-292231-2
	37.5	33.5	4.7	28.4	16.4	32	19.4		14.2	500		11	1-292231-1
TYPE 1	29.5	25.5	6.2	-	11.9	24	14.9	11.5	500	8	292231-8		
	29.5	25.5	4.7	-	10.4	24	13.4	11.5	500	7	292231-7		
	29.5	25.5	6.2	-	8.9	24	11.9	11.5	500	6	292231-6		
	29.5	25.5	4.7	-	7.4	24	10.4	11.5	500	5	292231-5		
	21.5	17.5	6.2	-	5.9	16	8.9	7.5	500	4	292231-4		
	21.5	17.5	4.7	-	4.4	16	7.4	7.5	500	3	292231-3		
	21.5	17.5	2.8	-	2.9	16	5.9	7.5	500	2	-		
TAPE TYPE	W2	W1	F	E	D	C	B	A	QTY/REEL	POS	COLOR	ON TAPE P/N	

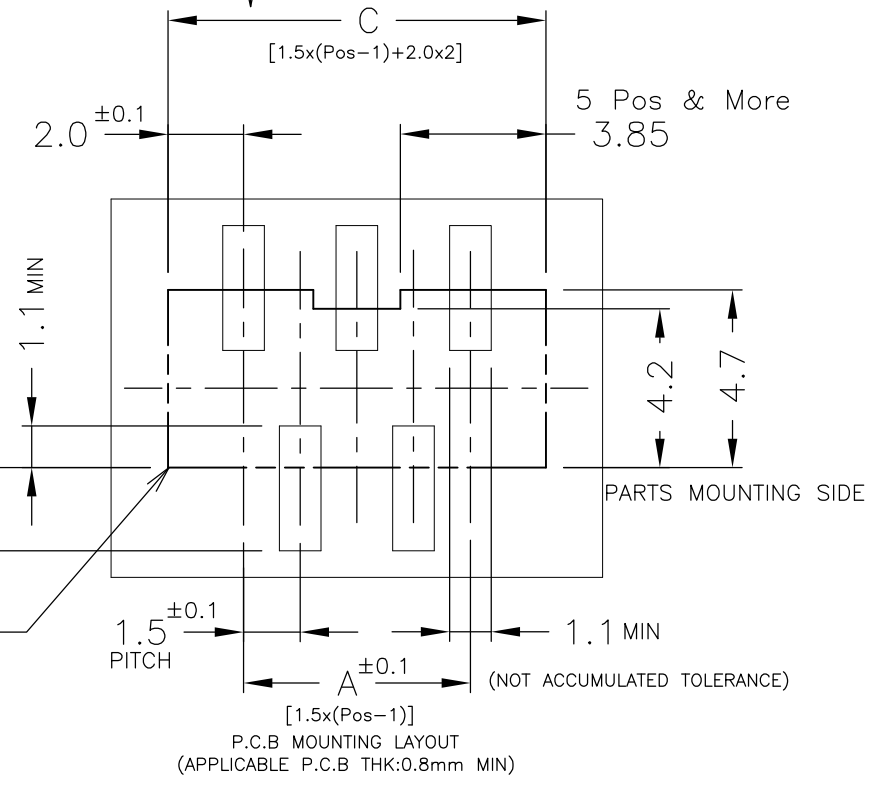
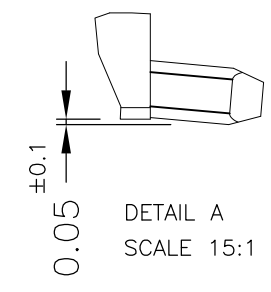
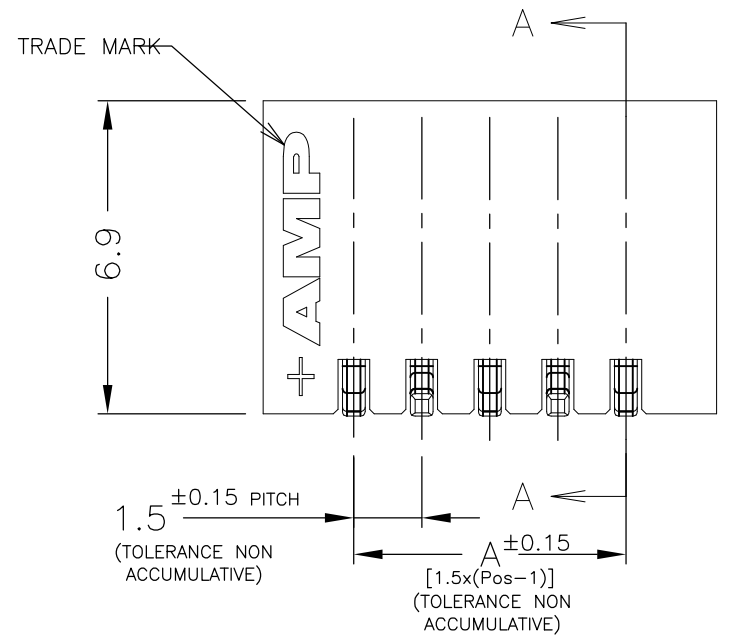
THIS DRAWING IS A CONTROLLED DOCUMENT.		DWN -		 TE Connectivity	
DIMENSIONS: mm		CHK -			
		APVD -			
TOLERANCES UNLESS OTHERWISE SPECIFIED: 0 PLC ± - 1 PLC ± 0.1 2 PLC ± 0.01 3 PLC ± 0.001 4 PLC ± 0.0001 ANGLES ± -		PRODUCT SPEC SEE SHEET 1 OF 2			
MATERIAL		FINISH		NAME AMP MINI COMMON TERMINATED (CT) CONNECTOR 1.5 mm PITCH SINGLE ROW POST HDR ASS'Y (V) SMT TYPE WITHOUT BOSS, EMBOSS TAPE PACKAGED	
		APPLICATION SPEC SEE SHEET 1 OF 2		SIZE CAGE CODE DRAWING NO RESTRICTED TO A3 00779 C-292231 -	
		WEIGHT -		CUSTOMER DRAWING SCALE NON SHEET 2 OF 4 REV D1	

THIS DRAWING IS UNPUBLISHED. RELEASED FOR PUBLICATION
 © COPYRIGHT - By - ALL RIGHTS RESERVED.

LOC	DIST	REVISIONS					
ES	00	P	LTR	DESCRIPTION	DATE	DWN	APVD
		-		SEE SHEET 1	-	-	-



CIRCUIT No.1



NOTES:
 MATERIAL:
 HOUSING: GLASS FILLED, HIGH HEAT RESISTANT NYLON, UL94V-0, COLOR: BEIGE OR BLACK
 POST:TIN BRASS WIRE
 TO BE MEASURED WITH CONNECTOR PLACED ON HORIZONTAL DATUM SURFACE, FLOAT OF SOLDER TINE FROM DATUM SURFACE IS 0.1mm MAX.

THIS DRAWING IS A CONTROLLED DOCUMENT.		DWN J.JIANG 04FEB03	TE Connectivity	
DIMENSIONS: mm		CHK S.YAO 04FEB03		
TOLERANCES UNLESS OTHERWISE SPECIFIED:		APVD T.SASAKI 04FEB03	NAME	
0 PLC ± -	1 PLC ± -	PRODUCT SPEC	AMP MINI COMMON TERMINATED (CT) CONNECTOR	
2 PLC ± -	3 PLC ± -	108-60018	1.5 mm PITCH SINGLE ROW POST HDR ASS'Y (V)	
4 PLC ± -	ANGLES ± -	APPLICATION SPEC	SMT TYPE WITHOUT BOSS	
MATERIAL SEE NOTE A	FINISH SEE NOTE A	114-5223	SIZE	CAGE CODE
		WEIGHT SEE TABLE	A3	00779
		CUSTOMER DRAWING	DRAWING NO	C-292231
			RESTRICTED TO	-
			SCALE	NON
			SHEET	3 OF 4
			REV	D1

4

3


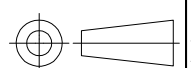
2

1

THIS DRAWING IS UNPUBLISHED. RELEASED FOR PUBLICATION - , - .
 © COPYRIGHT - By - ALL RIGHTS RESERVED.

LOC	DIST	REVISIONS					
		P	LTR	DESCRIPTION	DATE	DWN	APVD
ES	00		-	SEE SHEET 1	-	-	-

0.98	32.5	30.6	28.5	20	7-292231-0	2-292231-0
0.93	31.0	29.1	27.0	19	6-292231-9	1-292231-9
0.89	29.5	27.6	25.5	18	6-292231-8	1-292231-8
0.84	28.0	26.1	24.0	17	6-292231-7	1-292231-7
0.80	26.5	24.6	22.5	16	6-292231-6	1-292231-6
0.75	25.0	23.1	21.0	15	6-292231-5	1-292231-5
0.71	23.5	21.6	19.5	14	6-292231-4	1-292231-4
0.66	22.0	20.1	18.0	13	6-292231-3	1-292231-3
0.62	20.5	18.6	16.5	12	6-292231-2	1-292231-2
0.57	19.0	17.1	15.0	11	6-292231-1	1-292231-1
0.52	17.5	15.6	13.5	10	6-292231-0	1-292231-0
0.48	16.0	14.1	12.0	9	5-292231-9	292231-9
0.43	14.5	12.6	10.5	8	5-292231-8	292231-8
0.39	13.0	11.1	9.0	7	5-292231-7	292231-7
0.34	11.5	9.6	7.5	6	5-292231-6	292231-6
0.30	10.0	8.1	6.0	5	5-292231-5	292231-5
0.25	8.5	6.6	4.5	4	5-292231-4	292231-4
0.20	7.0	5.1	3.0	3	5-292231-3	292231-3
0.17	5.5	3.6	1.5	2	-	-
WEIGHT (g)	C	B	A	Pos.	BLACK	BEIGE (NAT)
	DIMENSIONS				P/N	

THIS DRAWING IS A CONTROLLED DOCUMENT.		DWN	 TE Connectivity AMP MINI COMMON TERMINATED (CT) CONNECTOR 1.5 mm PITCH SINGLE ROW POST HDR ASS'Y (V) SMT TYPE WITHOUT BOSS			
DIMENSIONS: mm		CHK				
		APVD				
0 PLC ± - 1 PLC ± - 2 PLC ± - 3 PLC ± - 4 PLC ± - ANGLES ± -		PRODUCT SPEC				
MATERIAL	FINISH	APPLICATION SPEC	SIZE	CAGE CODE	DRAWING NO	RESTRICTED TO
SEE SHEET 1	SEE SHEET 1	WEIGHT	A3	00779	C-292231	-
CUSTOMER DRAWING			SCALE	SHEET	REV	
			NON	4 OF 4	D1	