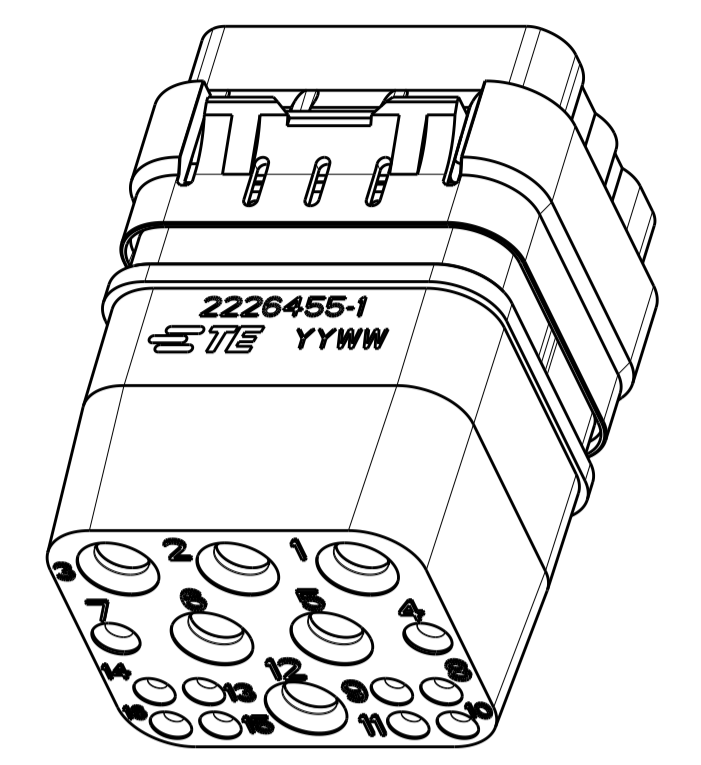
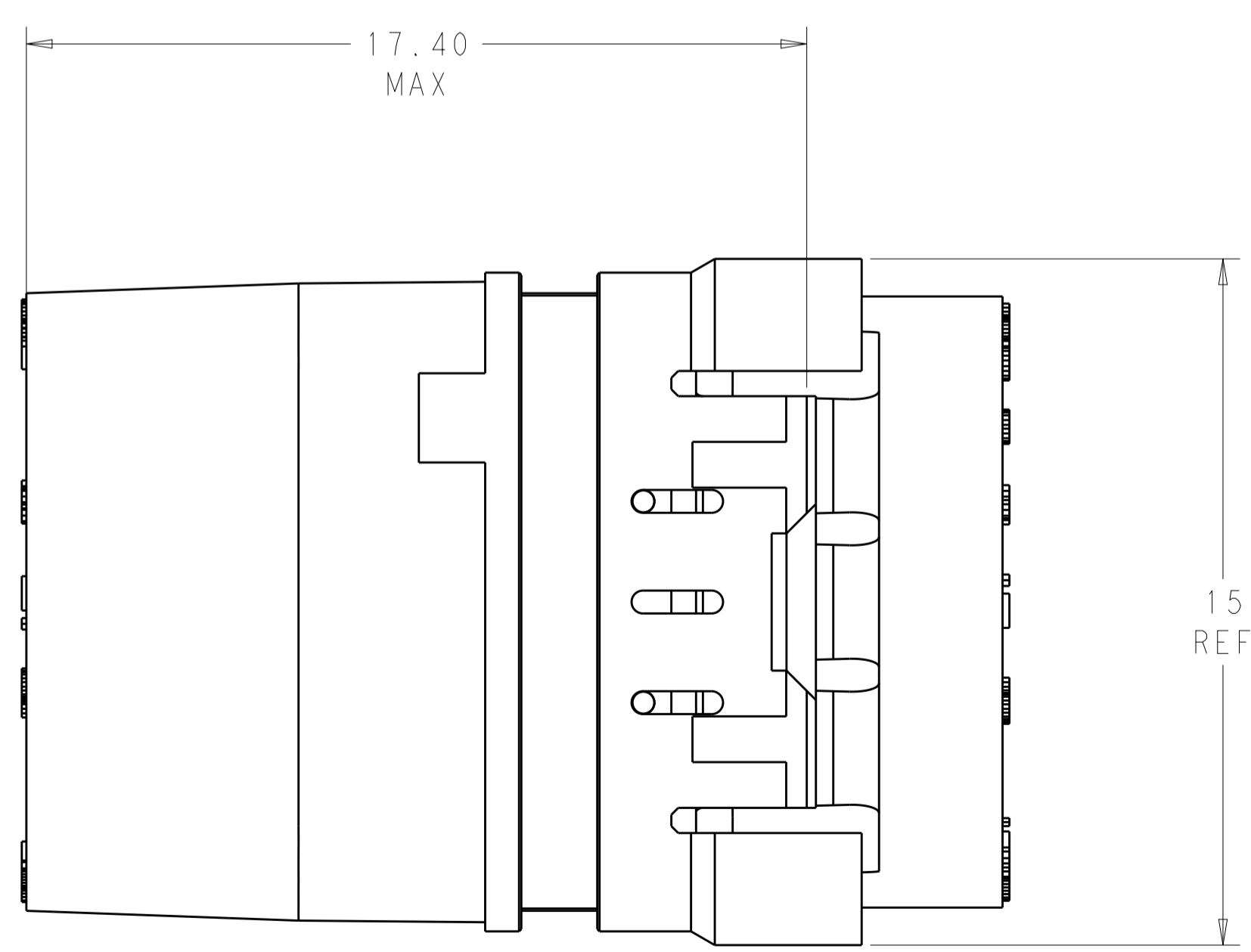
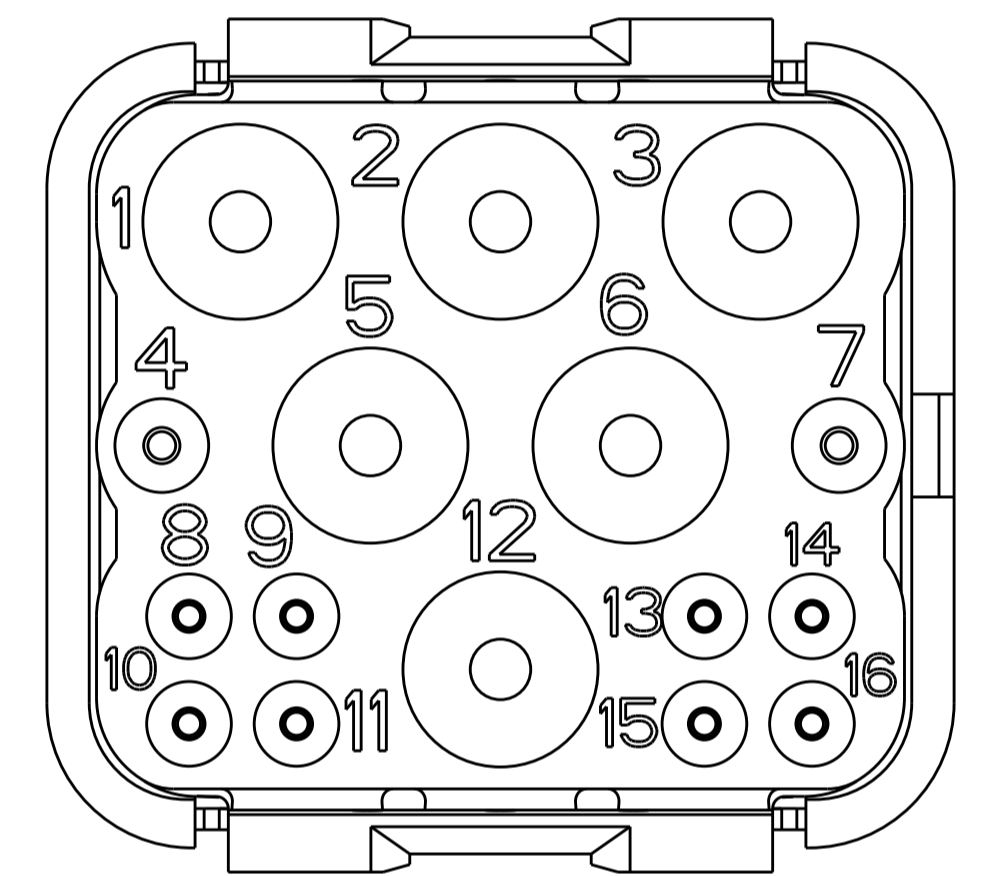
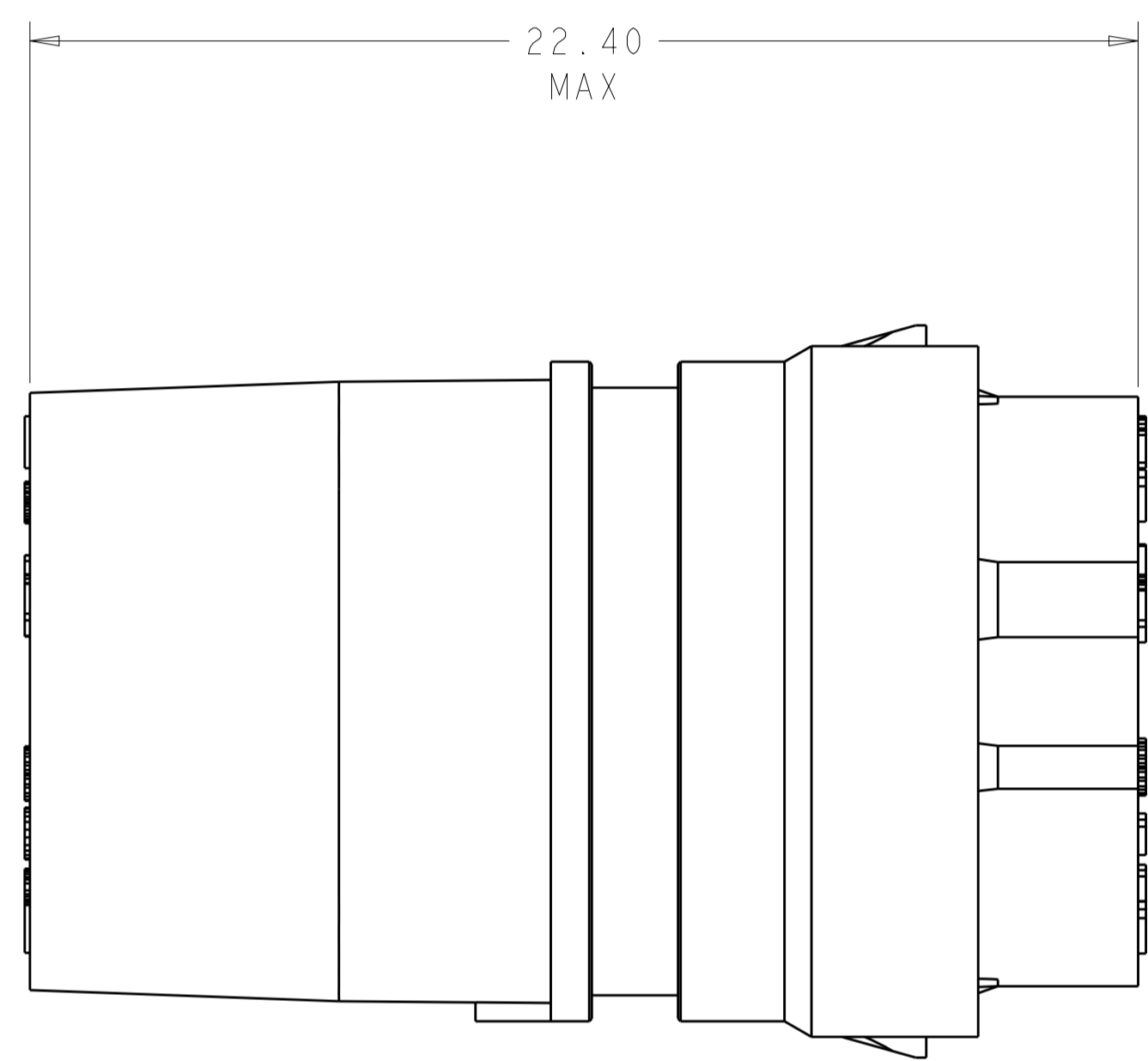
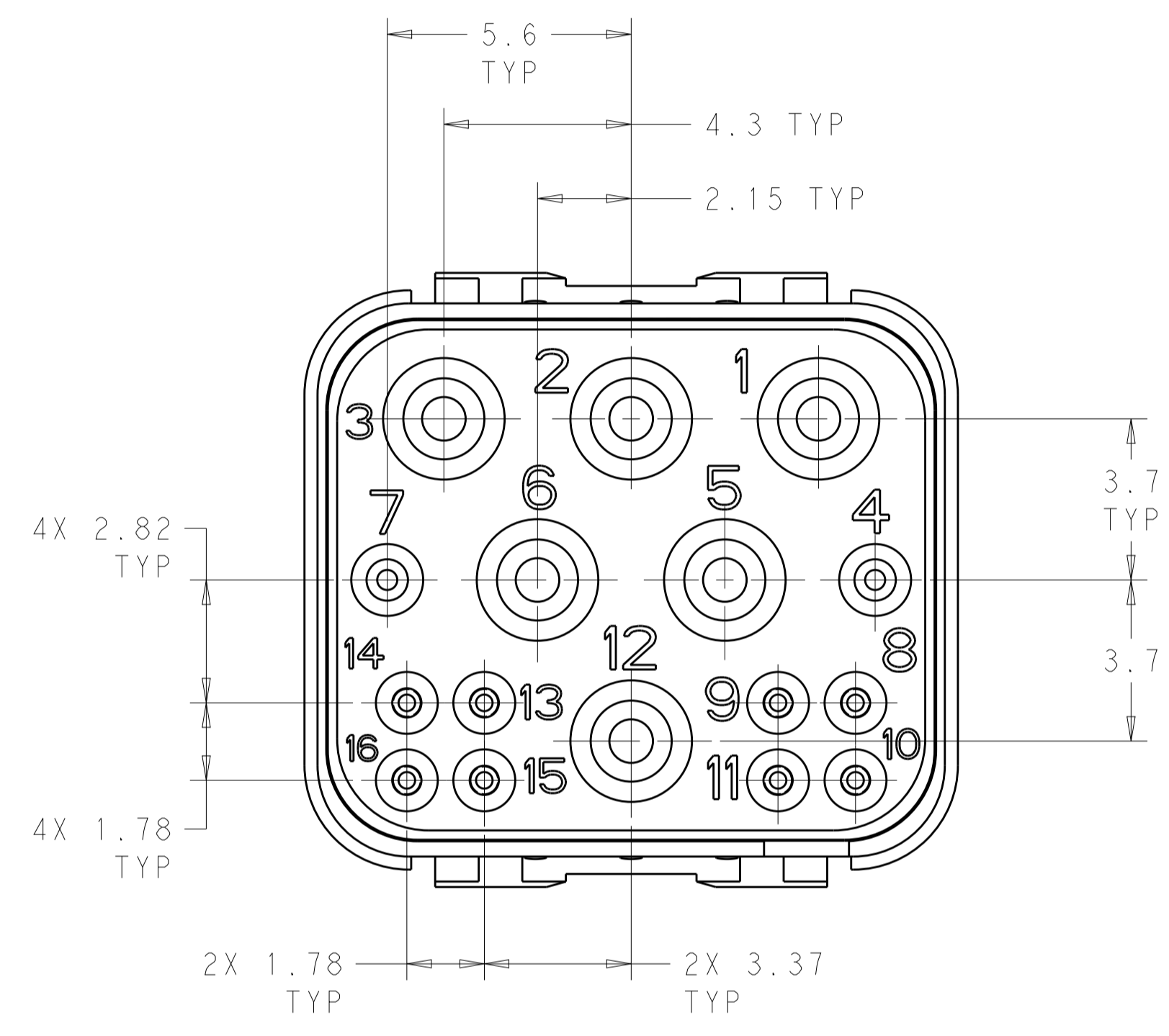


1. TEMPERATURE RANGE: -55°C TO +175°C
2. MATERIAL: THERMOPLASTIC, FLUOROSILICONE
3. CHARACTERISTICS:
 - DELIVERED WITHOUT CONTACTS, MUST BE ORDERED SEPARATELY.
 - SOCKET #16 CONTACTS (QTY=6) PER MIL-C 39029/57-358 (DEUTSCH P/N 38946-16L)
 - SOCKET #22 CONTACTS (QTY=2) PER MIL-C 39029/57-354 (DEUTSCH P/N 38946-22L)
 - SOCKET GbE CONTACTS (QTY=8) (DEUTSCH P/N 605704 OR 724-0003-24 OR TE P/N 2226892-1)
4. HAND CRIMP TOOL FOR GbE CONTACTS:
 - DMC M22520/2-01, SETTING NUMBER 3
 - POSITIONER: K1586
5. COMPATIBLE WITH ARINC 809 PLUG SHELLS (DEUTSCH P/N DMC-MD20 SERIES)
6. COMPATIBLE WITH ARINC 809 RECEPTACLE SHELLS (DEUTSCH P/N DMC-MD24 AND DMC-MD26 SERIES)

| REVISIONS | | | | |
|-----------|-----|-----------------------|----------|-------|
| P. | LTN | DESCRIPTION | DATE | APVD |
| H | | REV PER ECO 19-016450 | 11-22-19 | CT RL |
| | | | | |
| | | | | |



SCALE 4:1



2226455-1
ASSEMBLY, SOCKET, INSERT MODULE

2226455-1
PART NUMBER

| | | | |
|--|--|--|-----------------|
| THIS DRAWING IS A CONTROLLED DOCUMENT. | | DWN: D BROCKWAY 29MAY2013 | TE Connectivity |
| | | CHK: R LUENTE 29MAY2013 | |
| DIMENSIONS: | | NAME: SOCKET INSERT, MODULE CABLE ATTACH, GbE + POWER | |
| TOLERANCES UNLESS OTHERWISE SPECIFIED: | | PRODUCT SPEC | |
| mm | | APPLICATION SPEC | |
| 0 PLC ± | | SIZE CAGE CODE DRAWING NO | |
| 1 PLC ±0.5 | | RESTRICTED TO | |
| 2 PLC ±0.13 | | A 100779 C=2226455 | |
| 3 PLC ±0.013 | | SCALE 8:1 SHEET 1 OF 1 REV H | |
| 4 PLC ±0.001 | | | |
| ANGLES ±0.0001 | | | |
| FINISH | | CUSTOMER DRAWING | |