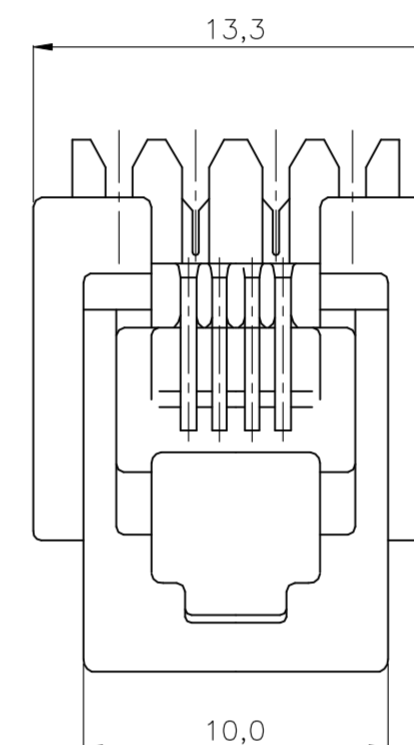
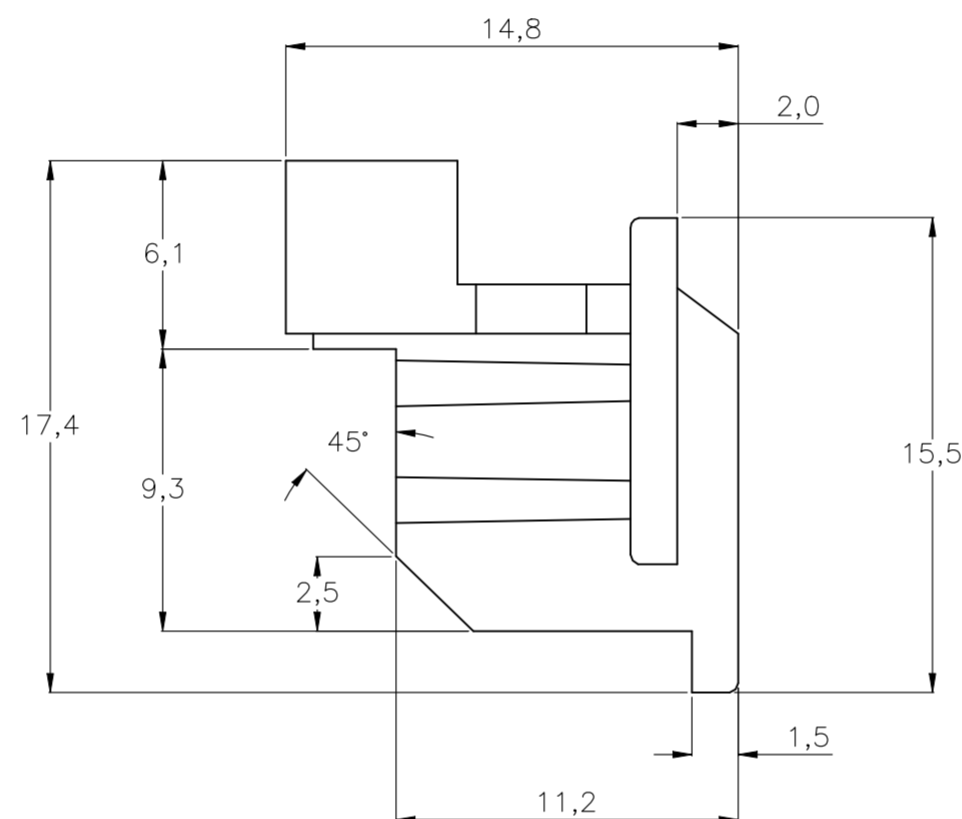
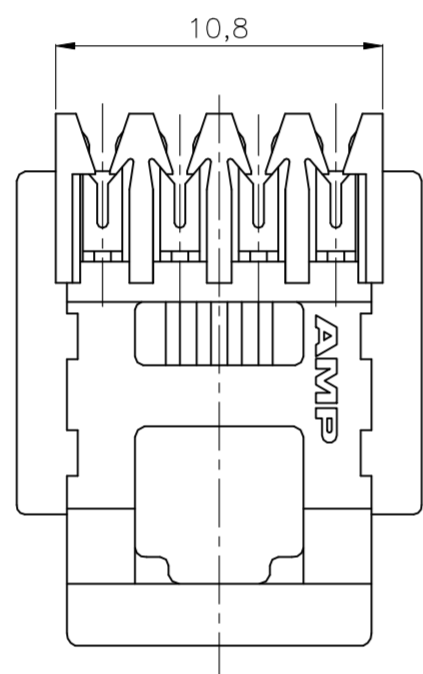
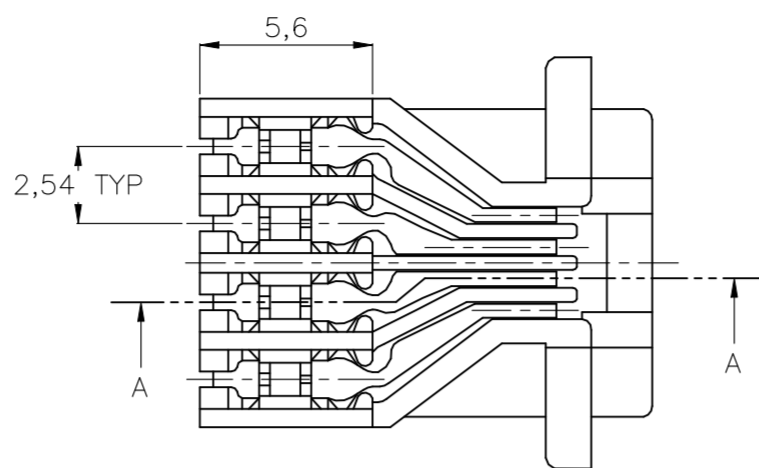


REVISIONS					
P	LTR	DESCRIPTION	DATE	DWN	APVD
P		ECR-06-013127	31-05-06	MO	-
P1		ECR-08-012368	05-11-08	AEG	WRV
P2		REVISED PER ECO-09-020935	29AUG09	KK	AEG
P3		REVISED AS PER ECN-22-180673	09NOV2022	DPS	SZ

NOTES:

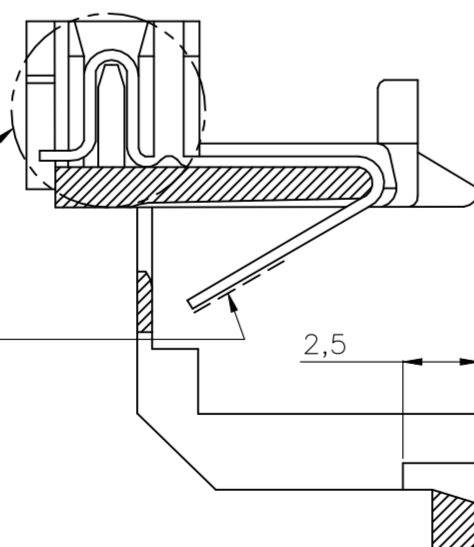
- FOR APPLICATION INFORMATION SEE TE SPECIFICATION 114-19005.
- FOR PERFORMANCE REQUIREMENTS SEE TE SPECIFICATION 108-19039.
- 3** OBSOLETE PARTS: OBSOLETE CIS STREAMLINING PER D.RENAUD/D.SINISI



CONTACT PLATING IN THIS AREA:
1,25µm MIN. TIN.

CONTACT AREA GOLD PLATING THICKNESS:
SEE TABLE.

UNDERPLATING ON ENTIRE CONTACT :
1,25µm MIN. NICKEL.



SECTION A-A

MATERIALS OF CONTACTS:
PHOS. BRONZE.

OBSOLETE	800 PCS ON TAPE	0.8 µm		2-215222-4
OBSOLETE	3000 PCS IN A BOX			215222-4
	800 PCS ON TAPE	1.25 µm	ABS COLOR-CLEAR	2-215222-3
	3000 PCS IN A BOX			3 215222-3
OBSOLETE	3000 PCS IN A BOX	1.25 µm	PBT, UL 94V-0 COLOR-BLACK	215222-1
	PACKAGING	GOLD PLATING IN CONTACT AREA	HOUSING MATERIAL	ORDER NUMBER

THIS DRAWING IS A CONTROLLED DOCUMENT.		DWN P. BEJNON	24APR89	TE TE Connectivity	
DIMENSIONS: mm		CHK -	APVD -		
TOLERANCES UNLESS OTHERWISE SPECIFIED:		PRODUCT SPEC -		MODULAR JACK M.T., 4 POS./4 CONT WITH INSULATION DISPLACEMENT CONTACTS	
0 PLC ± -		APPLICATION SPEC -		SIZE	RESTRICTED TO
1 PLC ± -		-		CAGE CODE	
2 PLC ± -		-		DRAWING NO	
3 PLC ± -		-		WEIGHT	
4 PLC ± -		-		0.000000	
ANGLES ± -		-		A2 00779	C=215222
MATERIAL SEE NOTES	FINISH SEE NOTES	CUSTOMER DRAWING		SCALE	SHEET
				NTS	1 of 1
				REV	P3