

THIS DRAWING IS UNPUBLISHED. RELEASED FOR PUBLICATION
 (C) COPYRIGHT 19 BY AMP INCORPORATED. ALL RIGHTS RESERVED.

LOC		DIST		REVISIONS			
P	LTR	DESCRIPTION	DATE	DWN	APVD		
	A	ECN 96060302	07/JUN/96	RNP	RAR		
	B	EC OB20-0183-98	04/FEB/98	RNP	RAR		

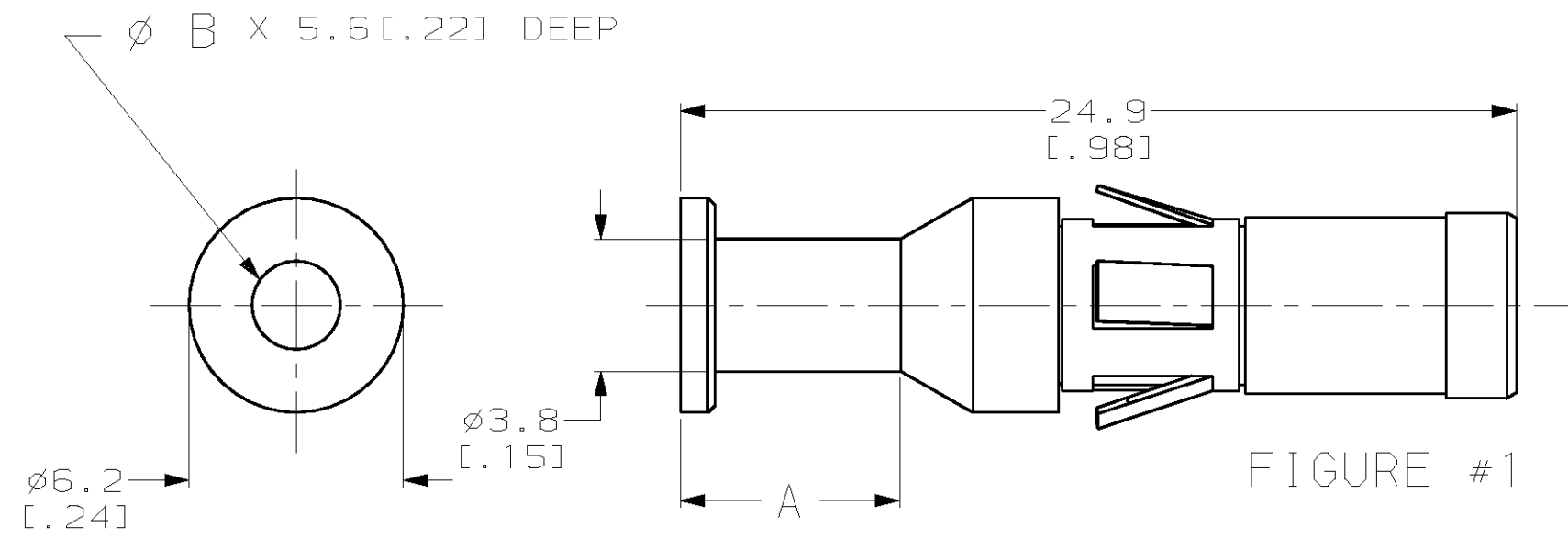


FIGURE #1

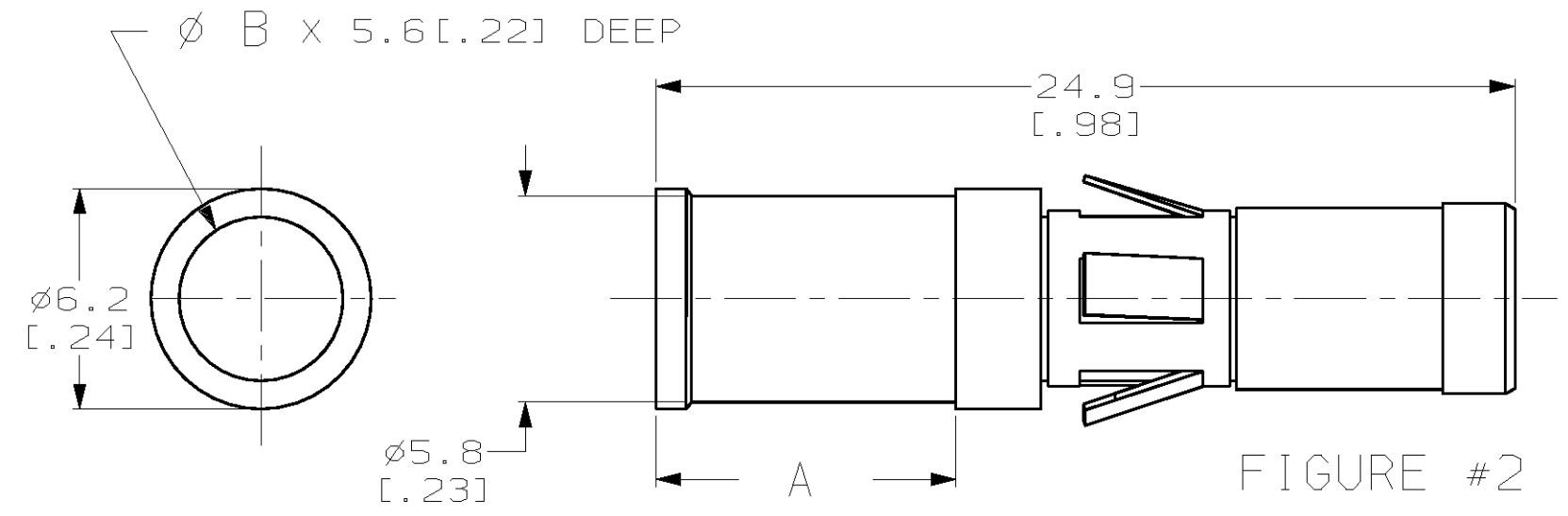


FIGURE #2

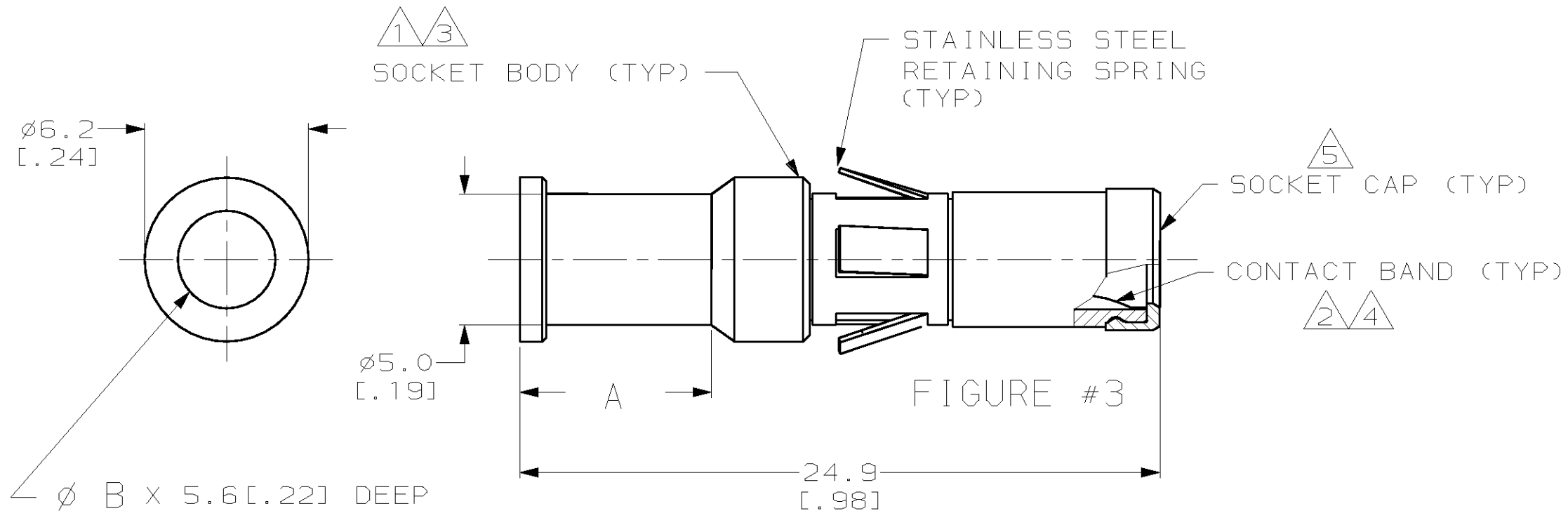


FIGURE #3

- 1 MATERIAL: TELLURIUM COPPER.
- 2 MATERIAL: BERYLLIUM COPPER.
- 3 FINISH: SILVER PLATE 5 μ M [200 μ IN] THICK MIN. OVER 1.2 μ M [50 μ IN] THICK MIN. NICKEL OVER 0.1 μ M [5 μ IN] THICK COPPER FLASH.
- 4 FINISH: SILVER PLATE 5 μ M [200 μ IN] THICK MIN. OVER 1 μ M [40 μ IN] THICK MIN. NICKEL.
- 5 MATERIAL: ACETYL (DELRIN).

2.55 [.100]	6.35 [.250]	1	SOCKET, 3MM, #12-14	194032-7
3.68 [.145]	7.24 [.285]	3	SOCKET, 3MM, #10	194032-6
4.60 [.181]	8.42 [.331]	2	SOCKET, 3MM, #8	194032-5

ϕB	A DIM	FIGURE #	DESCRIPTION	PART NUMBER
----------	-------	----------	-------------	-------------

<small>THIS DRAWING IS A CONTROLLED DOCUMENT FOR AMP INCORPORATED. IT IS SUBJECT TO CHANGE AND THE CONTROLLING ENGINEERING ORGANIZATION SHOULD BE CONTACTED FOR THE LATEST REVISION.</small>		DWN RNP	28/SEP/95	AMP Incorporated Harrisburg, PA 17105-3608
DIMENSIONS: mm [in] 		CHK -	APVD -	
TOLERANCES UNLESS OTHERWISE SPECIFIED: 0 PLC ±- 1 PLC ±- 2 PLC ±- 3 PLC ±- 4 PLC ±- ANGLES ±- FINISH -		PRODUCT SPEC -	APPLICATION SPEC -	SIZE A2
MATERIAL -		WEIGHT -	CAGE CODE 00779	DRAWING NO ©=194032
CUSTOMER DRAWING			SCALE	SHEET 1 OF 1 REV B