

THIS DRAWING IS UNPUBLISHED.

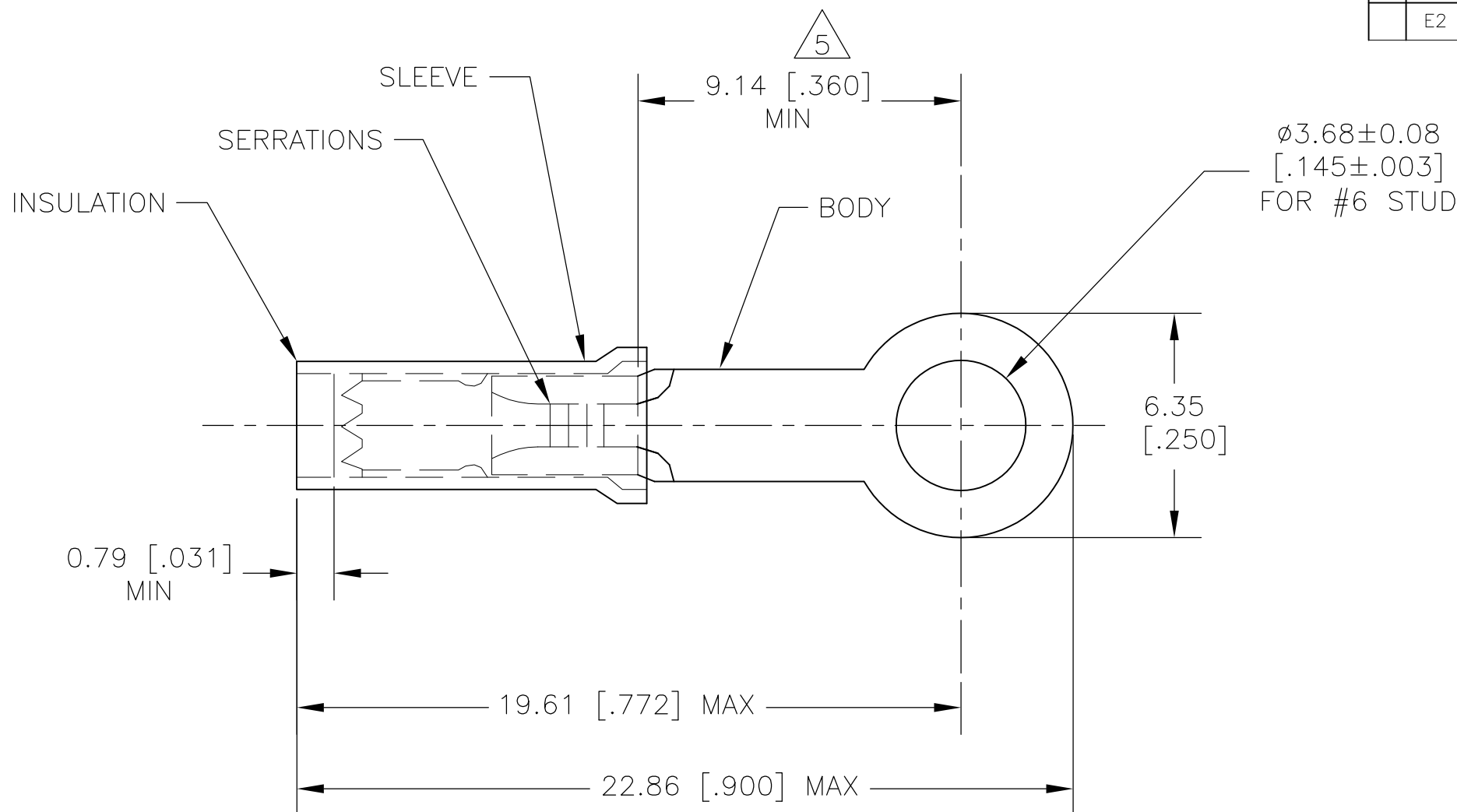
RELEASED FOR PUBLICATION

ALL RIGHTS RESERVED.

© COPYRIGHT - By -

REVISIONS

P	LTR	DESCRIPTION	DATE	DWN	APVD
	E2	REVISED PER ECO-16-001994	15FEB2016	NK	DR



1000	LOOSE PIECE	152896
QTY	PACKAGING TYPE	PART NO.

THIS DRAWING IS A CONTROLLED DOCUMENT.		DWN jr_ruth 06AUG07	<b>STE</b> TE Connectivity														
DIMENSIONS: mm [INCHES]		CHK T MICHELUTTI 30AUG07															
TOLERANCES UNLESS OTHERWISE SPECIFIED:		APVD T MICHELUTTI 30AUG07	NAME RING TONGUE, PIDG														
<table border="0"> <tr><td>0 PLC</td><td>± -</td></tr> <tr><td>1 PLC</td><td>± -</td></tr> <tr><td>2 PLC</td><td>± -</td></tr> <tr><td>3 PLC</td><td>± 0.38 [.015]</td></tr> <tr><td>4 PLC</td><td>± -</td></tr> <tr><td>ANGLES</td><td>± 5°</td></tr> </table>		0 PLC	± -	1 PLC	± -	2 PLC	± -	3 PLC	± 0.38 [.015]	4 PLC	± -	ANGLES	± 5°	PRODUCT SPEC -	SIZE A3		
0 PLC	± -																
1 PLC	± -																
2 PLC	± -																
3 PLC	± 0.38 [.015]																
4 PLC	± -																
ANGLES	± 5°																
MATERIAL 1		APPLICATION SPEC -	CAGE CODE 00779	DRAWING NO C-152896	RESTRICTED TO -												
FINISH 2		WEIGHT	SCALE 6:1														
CUSTOMER DRAWING			SHEET 1 OF 1														
			REV E2														