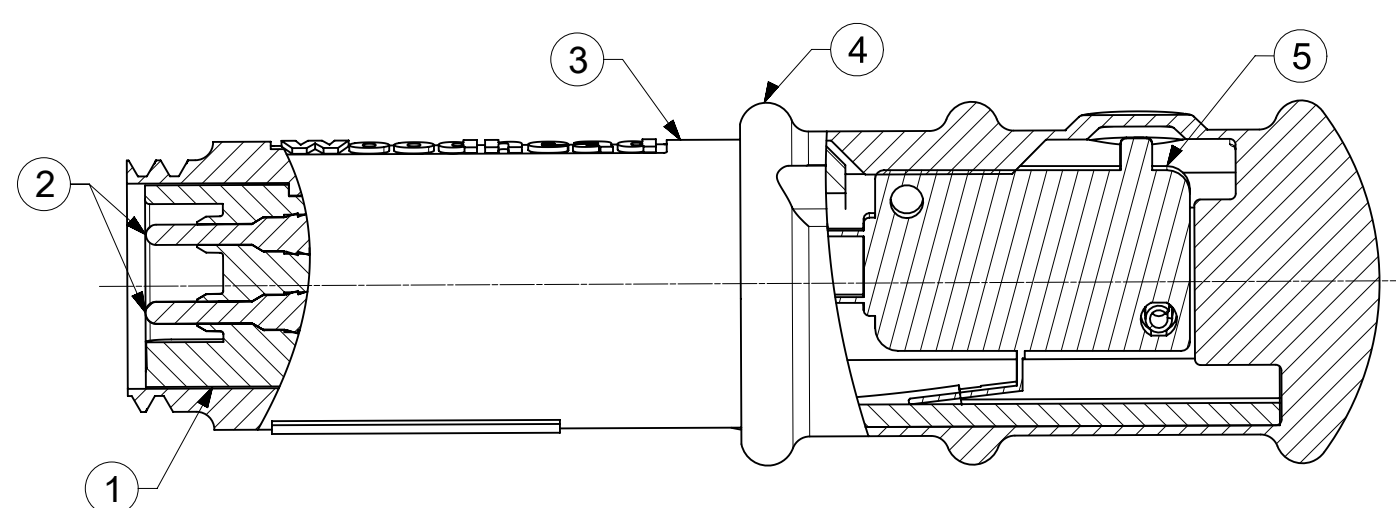
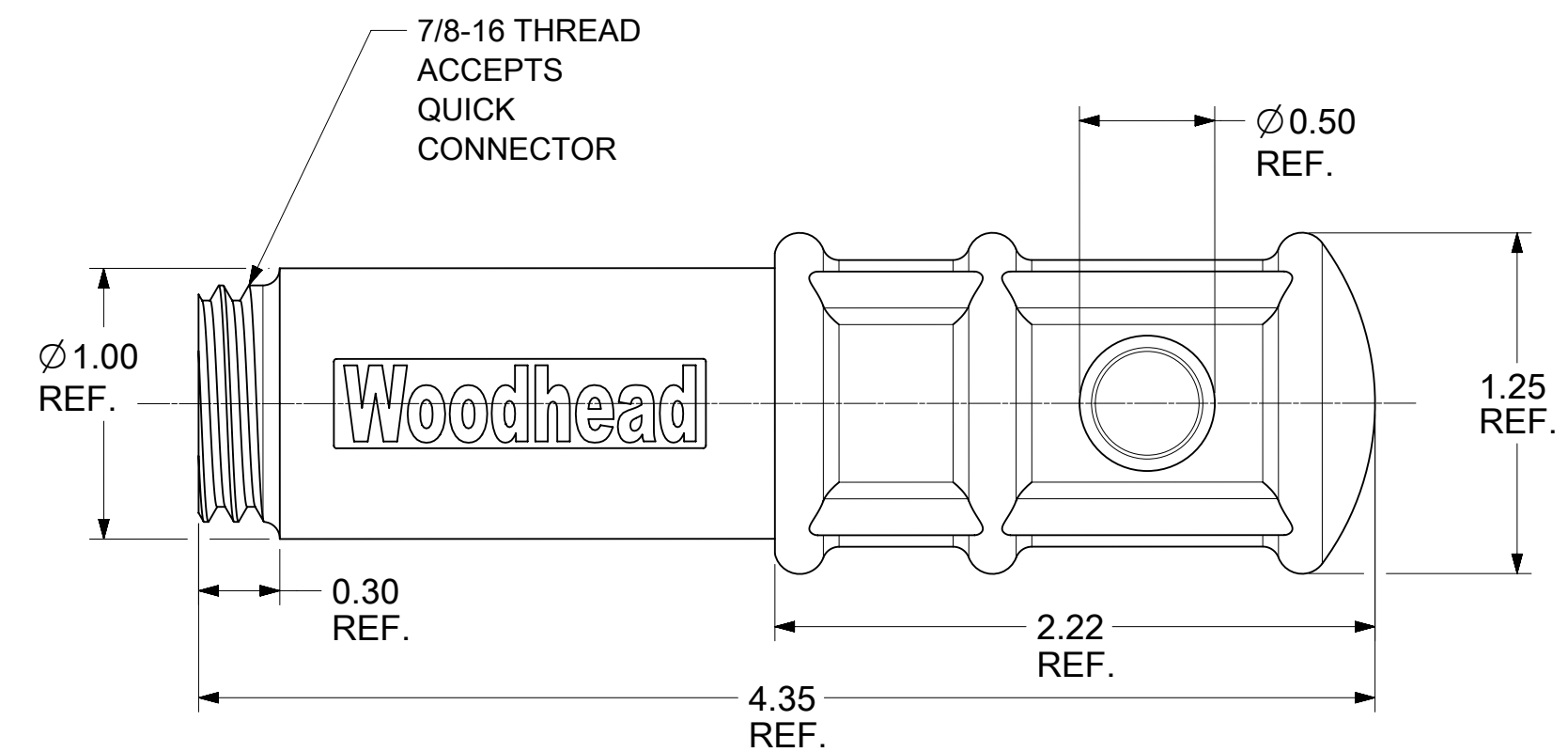
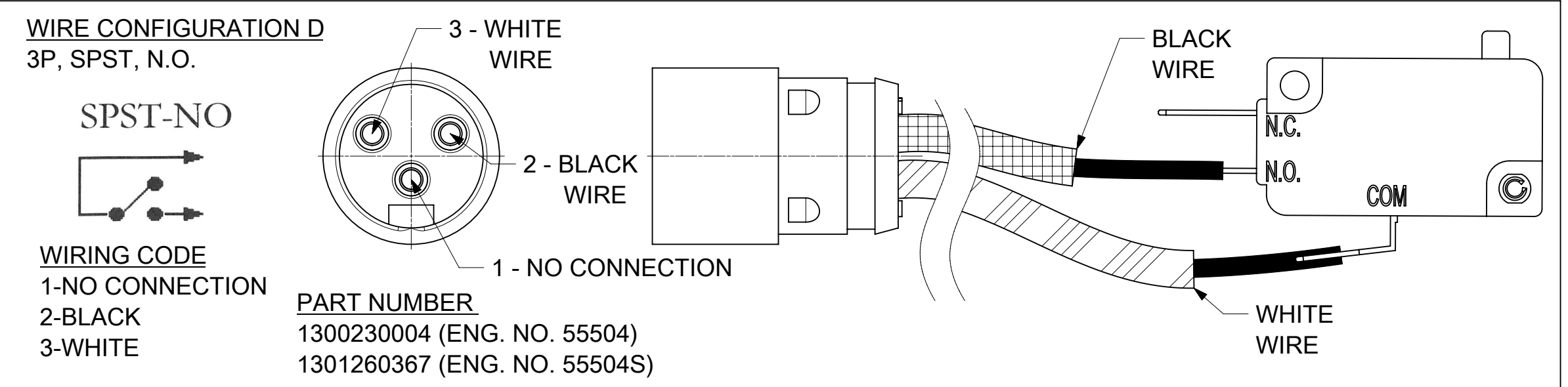
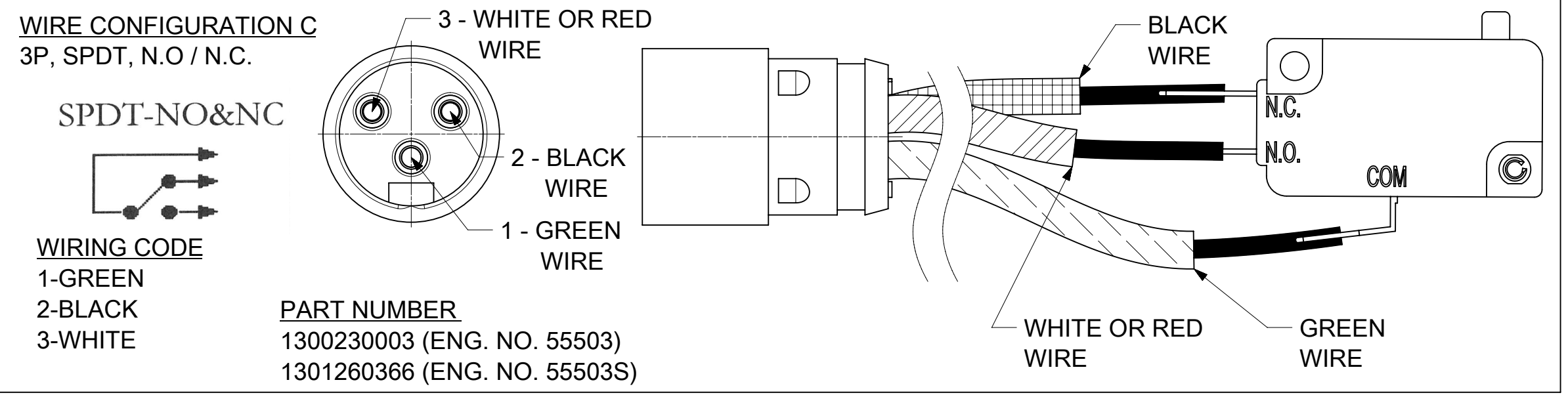
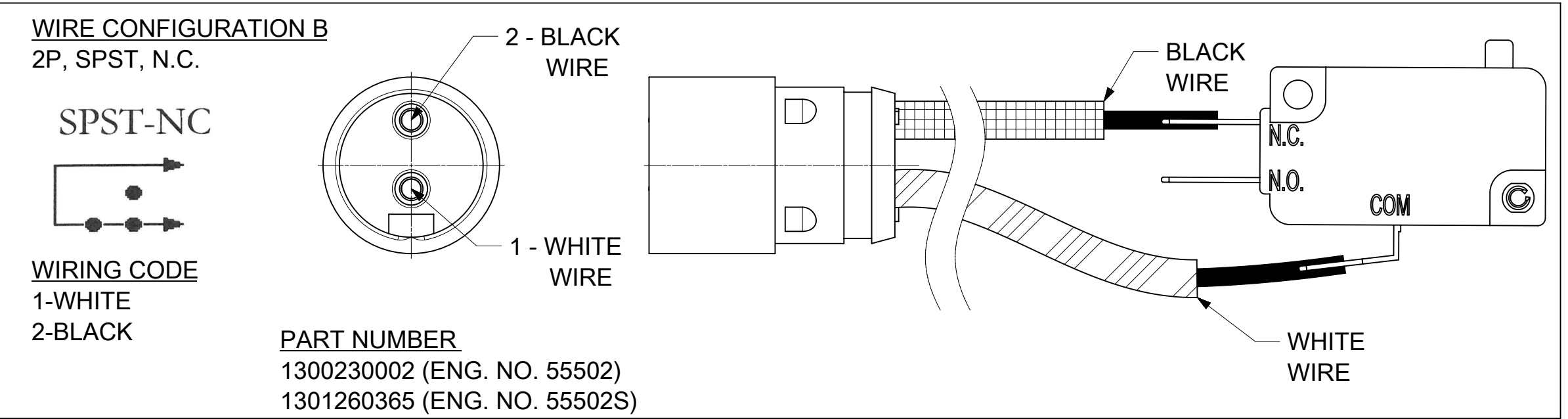
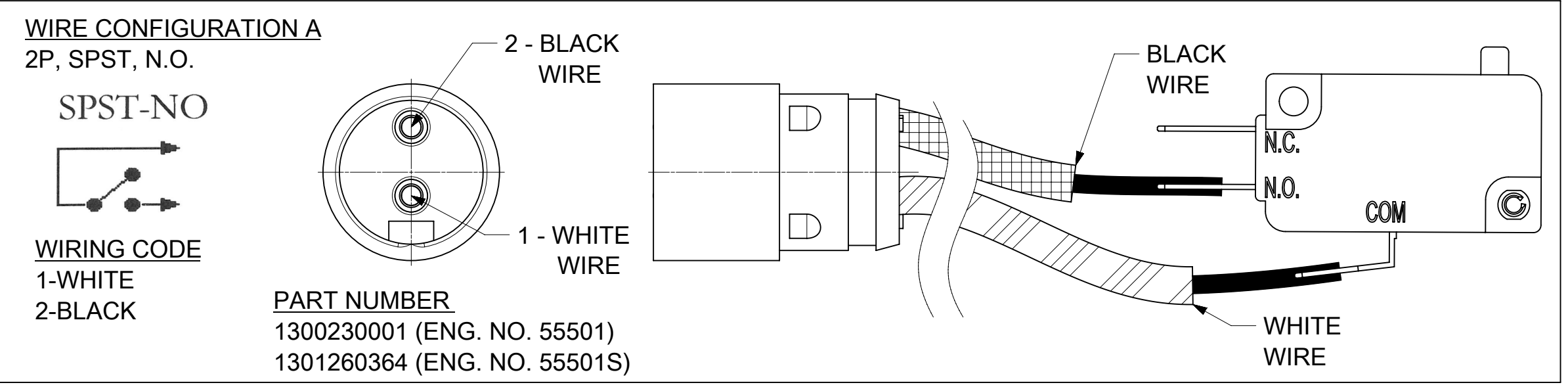


PART NUMBER	ENG. NUMBER	DESCRIPTION	SWITCH BOOT MATERIAL	WIRE CONFIGURATION
1300230001	55501	2P, SPST - NORMALLY OPEN	NBR/PVC	A
1300230002	55502	2P, SPST - NORMALLY CLOSED		B
1300230003	55503	3P, SPDT - NORMALLY OPEN / NORMALLY CLOSED		C
1300230004	55504	3P, SPST - NORMALLY OPEN	SILICONE	D
1301260364	55501S	2P, SPST - NORMALLY OPEN		A
1301260365	55502S	2P, SPST - NORMALLY CLOSED		B
1301260366	55503S	3P, SPDT - NORMALLY OPEN / NORMALLY CLOSED		C
1301260367	55504S	3P, SPST - NORMALLY OPEN	D	



ITEM	DESCRIPTION	MATERIAL	FINISH
1	PIN INSERT	PVC	YELLOW
2	CONTACT PIN	COPPER ALLOY	GOLD PLATED
3	SWITCH BODY	NYLON	YELLOW
4	SWITCH BOOT	RUBBER (SEE TABLE)	YELLOW
5	SWITCH	-	-

- NOTES:**
- MATERIAL: SEE TABLE
  - FINISHES: SEE TABLE
  - ELECTRICAL SPECIFICATIONS  
VOLTAGE RATING: 125/250VAC  
CURRENT RATING: 10 AMPS (AC)  
HORSEPOWER RATING: 1/2 HP
  - OPERATING TEMP. RANGE: -20 °C to 85 °C
  - ASSEMBLY IS RoHS COMPLIANT



FUNCTIONAL SYMBOLS		THIS DRAWING CONTAINS INFORMATION THAT IS PROPRIETARY TO MOLEX ELECTRONIC TECHNOLOGIES, LLC AND SHOULD NOT BE USED WITHOUT WRITTEN PERMISSION			
FA = 0	INCH	SCALE	2:1		
EA = 0	GENERAL TOLERANCES (UNLESS SPECIFIED)		EC NO: 723619		2022/10/04
EP = 0	ANGULAR TOL ± 0.5°		DRWN: WLEUNG		
DIVISIONAL SYMBOLS		4 PLACES ±	CHK'D: DNGUYEN62		2022/10/04
		3 PLACES ±	APPR: DNGUYEN62		2022/10/04
		2 PLACES ± 0.05	INITIAL REVISION:		
		1 PLACE ± 0.1	DRWN: RSTONE		2013/01/22
		0 PLACES ±	APPR: JFMURPHY		2013/03/01
DRAFT WHERE APPLICABLE MUST REMAIN WITHIN DIMENSIONS		THIRD ANGLE PROJECTION	DRAWING	SERIES	MATERIAL NUMBER
			C-SIZE	130023	SEE TABLE
DOCUMENT STATUS		P1	RELEASE DATE	2022/10/04 21:40:15	DOC TYPE
					PSD
					001
					C
					1 OF 1