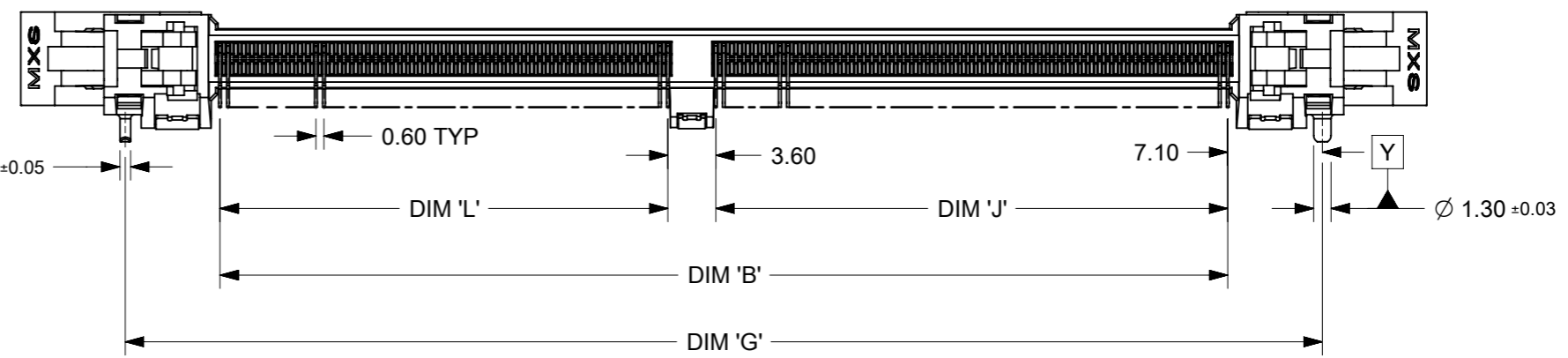
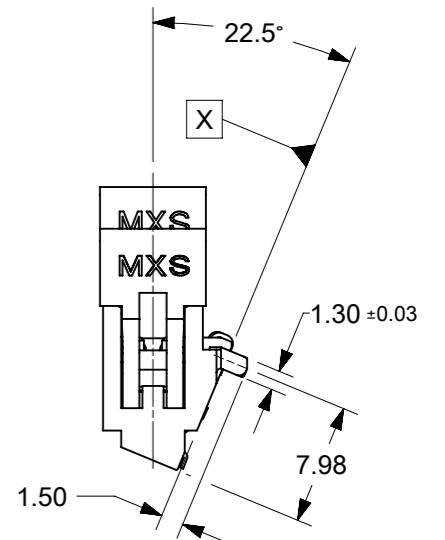
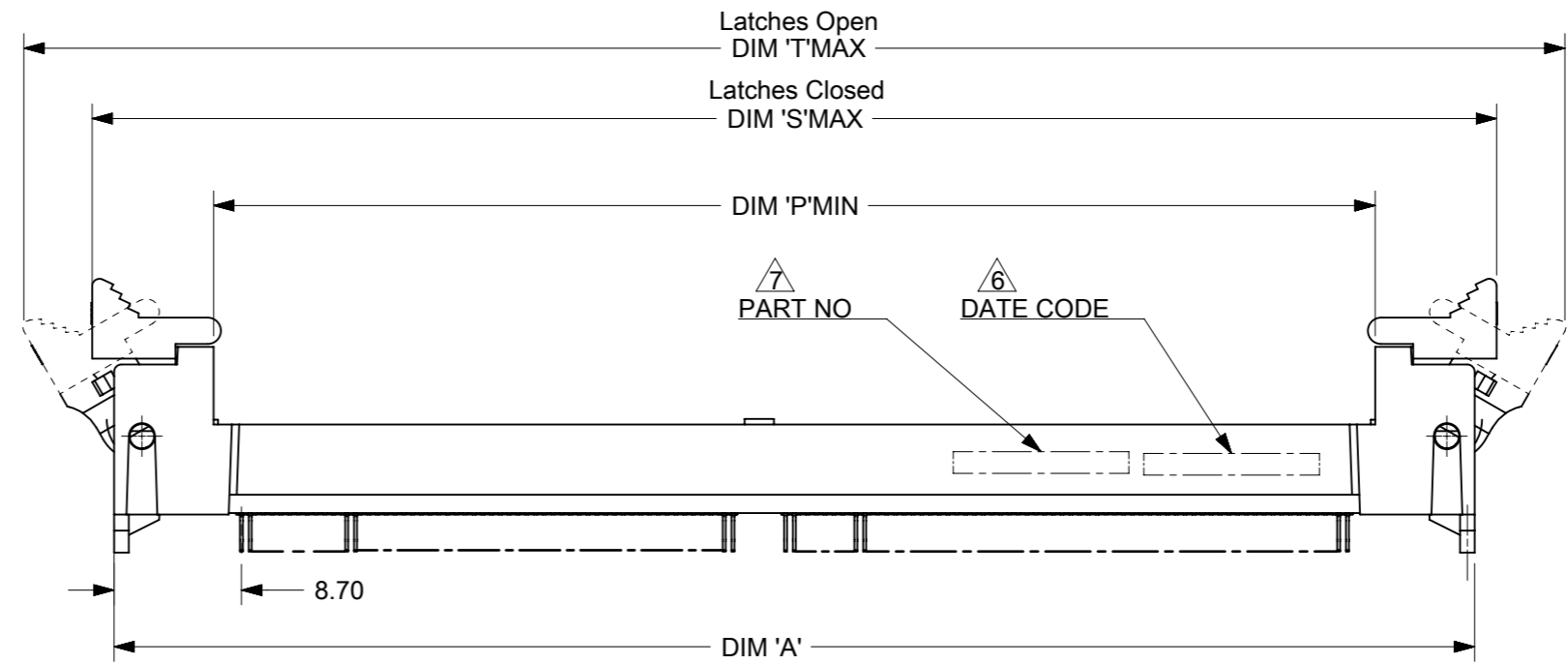


MINIMUM HEIGHT OF SOCKET WITH
MODULE CARD HEIGHT OF 30.00mm
AND THICKNESS OF 4mm.



NOTES :
 1. MATERIAL :
 HOUSING : HIGH TEMPERATURE LIQUID CRYSTAL POLYMER, UL94V-0
 COLOUR : BLACK
 CONTACTS : COPPER ALLOY
 LATCHES : HIGH TEMPERATURE NYLON, UL94V-0
 COLOUR : NATURAL (OFF-WHITE)
 COVER : HIGH TEMPERATURE NYLON, UL 94V-0
 COLOUR : BLACK

2. FINISH
 CONTACTS : 0.76 MICROMETER (30 MICROINCH) MIN GOLD OVER
 1.25 MICROMETER (50 MICROINCH) MIN NICKEL
 SMT TAIL : 2.54 MICROMETER (100 MICROINCH) MIN TIN OVER
 1.25 MICROMETER (50 MICROINCH) MIN NICKEL

3. ACCEPTS 1.0mm THICK MEMORY MODULE PER JEDEC MO-244 FOR 244 CKTS AND MO-258 FOR 200 CKTS.

4. PRODUCT SPECIFICATION : PS-78035-001.

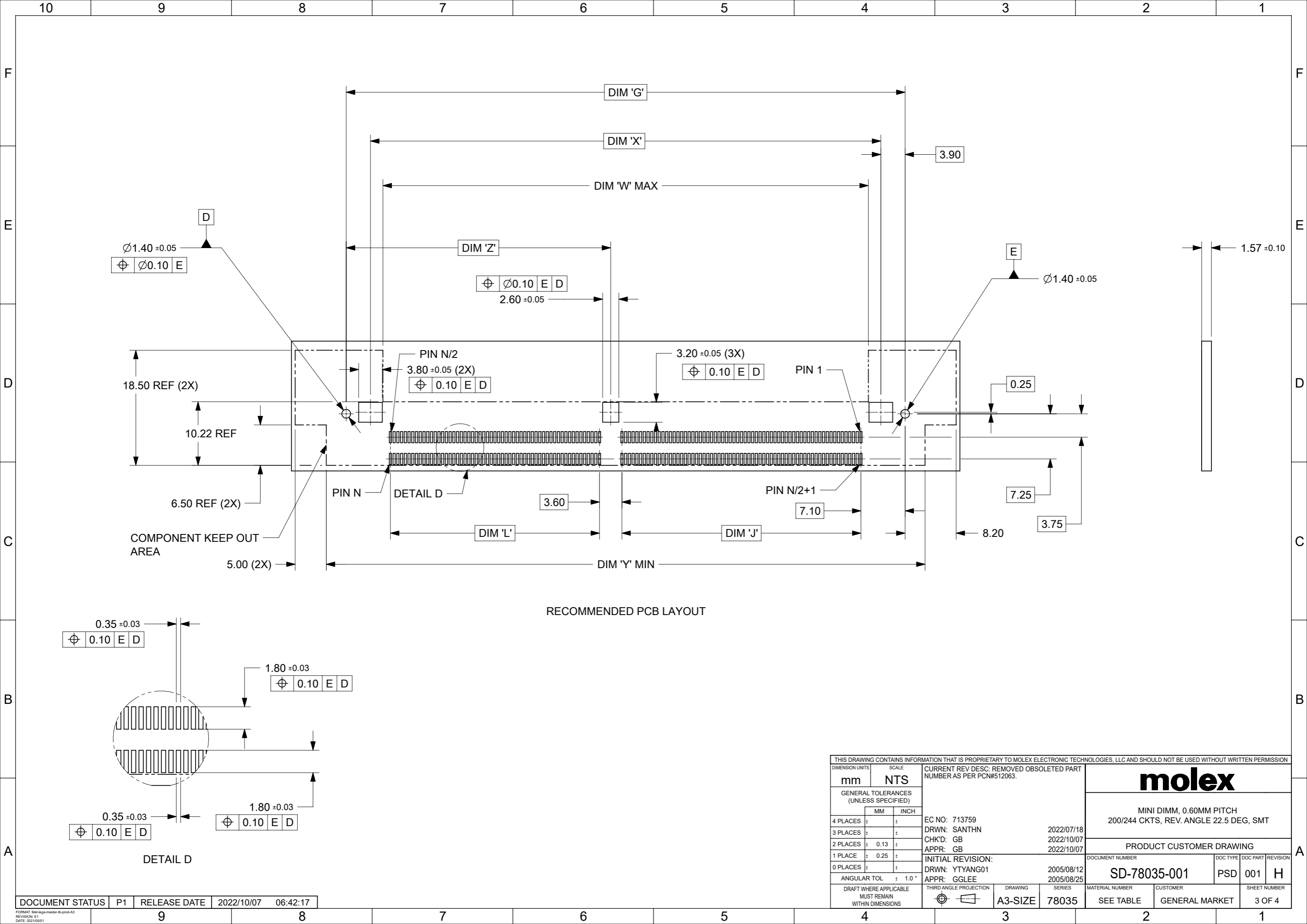
5. PACKING SPECIFICATION: SEE TABLE IN SHEET 4.

6. DATE CODE SHALL BE MARKED LEGIBLY AS SHOWN : YY DDD.

7. PART NUMBER SHALL BE MARKED LEGIBLY AS SHOWN : 78035-XXXX (REFER TO TABLE).

THIS DRAWING CONTAINS INFORMATION THAT IS PROPRIETARY TO MOLEX ELECTRONIC TECHNOLOGIES, LLC AND SHOULD NOT BE USED WITHOUT WRITTEN PERMISSION

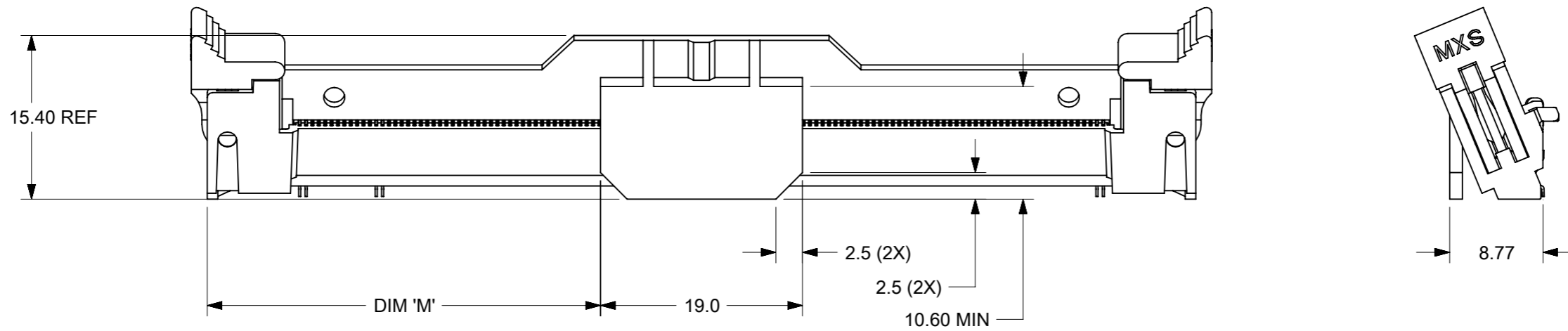
DIMENSION UNITS		SCALE		CURRENT REV DESC: REMOVED OBSOLETE PART NUMBER AS PER PCN#512063.				molex			
mm		NTS									
GENERAL TOLERANCES (UNLESS SPECIFIED)				EC NO: 713759				MINI DIMM, 0.60MM PITCH			
				DRWN: SANTHN				200/244 CKTS, REV. ANGLE 22.5 DEG, SMT			
				CHK'D: GB				PRODUCT CUSTOMER DRAWING			
				APPR: GB				DOCUMENT NUMBER			
				INITIAL REVISION:				DOC TYPE			
				DRWN: YTYANG01				DOC PART			
				APPR: GGLEE				REVISION			
				ANGULAR TOL ± 1.0°				SD-78035-001			
DRAFT WHERE APPLICABLE MUST REMAIN WITHIN DIMENSIONS				THIRD ANGLE PROJECTION		DRAWING		MATERIAL NUMBER		CUSTOMER	SHEET NUMBER
				A3-SIZE		SERIES		SEE TABLE		GENERAL MARKET	1 OF 4
				78035							



RECOMMENDED PCB LAYOUT

THIS DRAWING CONTAINS INFORMATION THAT IS PROPRIETARY TO MOLEX ELECTRONIC TECHNOLOGIES, LLC AND SHOULD NOT BE USED WITHOUT WRITTEN PERMISSION											
DIMENSION UNITS		SCALE		CURRENT REV DESC: REMOVED OBSOLETE PART NUMBER AS PER PCN#512063.							
mm		NTS									
GENERAL TOLERANCES (UNLESS SPECIFIED)						EC NO: 713759		2022/07/18		MINI DIMM, 0.60MM PITCH	
						DRWN: SANTHN		2022/10/07		200/244 CKTS, REV. ANGLE 22.5 DEG, SMT	
4 PLACES		±				CHK'D: GB		2022/10/07		PRODUCT CUSTOMER DRAWING	
3 PLACES		±		0.13		APPR: GB		2022/10/07			
2 PLACES		±		0.25		INITIAL REVISION:				DOCUMENT NUMBER	
1 PLACE		±				DRWN: YTYANG01		2005/08/12		SD-78035-001	
0 PLACES		±				APPR: GGLEE		2005/08/25		DOC TYPE DOC PART REVISION	
ANGULAR TOL		±		1.0°		THIRD ANGLE PROJECTION		DRAWING		SERIES	
DRAFT WHERE APPLICABLE MUST REMAIN WITHIN DIMENSIONS								A3-SIZE		78035	
						MATERIAL NUMBER		CUSTOMER		SHEET NUMBER	
						SEE TABLE		GENERAL MARKET		3 OF 4	

DOCUMENT STATUS	P1	RELEASE DATE	2022/10/07	06:42:17
-----------------	----	--------------	------------	----------



SHOW WITH PICK & PLACE COVER

CKT SIZE 'N'	PART NUMBER	MODULE CARD	VOLTAGE KEY	DIM 'R'	DIM 'E'	DIM 'J'	DIM 'L'	DIM 'M'	DIM 'P'	DIM 'G'	DIM 'S'	DIM 'T'	DIM 'U'	DIM 'V'	DIM 'W'	DIM 'X'	DIM 'Y'	DIM 'Z'	DIM 'A'	DIM 'B'	TRAY P/N PACKAGING SPEC
244	78035-0001	DDR2	1.8 V	1.30	39.60	38.40	33.60	37.0	79.0	89.80	96.0	106.20	78.00	82.00	78.0	82.00	96.20	42.50	93.0	75.60	89990-8198 89990-8199 PK-78035-001
	78035-0301	DDR3	1.5 V	2.30																	78888-8026 PK-78035-003 (HARDTRAY)
	78035-6301		1.8 V	1.30																	
	78035-6001	DDR2	1.8 V	1.30																	
200	78035-0202	DDR	2.5 V	2.30	24.60	23.40	35.40	30.40	65.8	76.60	82.8	93.00	64.80	68.80	64.8	68.80	83.00	44.30	79.8	62.40	89990-8196 89990-8197 PK-78035-002

THIS DRAWING CONTAINS INFORMATION THAT IS PROPRIETARY TO MOLEX ELECTRONIC TECHNOLOGIES, LLC AND SHOULD NOT BE USED WITHOUT WRITTEN PERMISSION

DIMENSION UNITS mm	SCALE NTS	CURRENT REV DESC: REMOVED OBSOLETE PART NUMBER AS PER PCN#512063.		molex	
GENERAL TOLERANCES (UNLESS SPECIFIED)		EC NO: 713759			
		DRWN: SANTHN 2022/07/18		PRODUCT CUSTOMER DRAWING	
		CHK'D: GB 2022/10/07		DOCUMENT NUMBER	
		APPR: GB 2022/10/07		SD-78035-001	
		INITIAL REVISION:		DOC TYPE	
		DRWN: YTYANG01 2005/08/12		PSD	
		APPR: GGLEE 2005/08/25		DOC PART	
		ANGULAR TOL ± 1.0°		001	
DRAFT WHERE APPLICABLE MUST REMAIN WITHIN DIMENSIONS		THIRD ANGLE PROJECTION		REVISION	
		DRAWING		H	
		SERIES		SHEET NUMBER	
		A3-SIZE 78035		4 OF 4	
		MATERIAL NUMBER		CUSTOMER	
		SEE TABLE		GENERAL MARKET	