

- NOTES:
1. MATERIALS: HOUSING - LIQUID CRYSTAL POLYMER (LCP)
GLASS-FILLED, UL94V-0
TERMINALS - HIGH PERFORMANCE COPPER ALLOY
 2. FINISH: 30µ MIN GOLD IN CONTACT AREA.
SELECTIVE TIN ON PCB TAILS. NICKEL OVERALL.
 3. REFER TO MOLEX PRODUCT SPECIFICATION PS-76060-999
FOR PERFORMANCE SPECIFICATIONS AND ADDITIONAL PCB INFORMATION.
 4. THIS PART CONFORMS TO CLASS B REQUIREMENTS OF
MOLEX COSMETIC SPEC PS-45499-002.
 5. PACKAGE PER: PK-70873-7707.
 6. SEE SHEETS 2 & 3 FOR PART NUMBERS AND BOARD RELATIONSHIPS.
 7. REFER TO MOLEX SALES DRAWING SD-76990-001 FOR THE MATING RECEPTACLES.
 8. REFER TO MOLEX PCB ROUTING GUIDE AS-76060-990 FOR ANTIPAD AND
ROUTING RECOMMENDATIONS.
 9. "THESE DIMENSIONS REPRESENT THE AREA NEEDED TO ACCOMODATE CONNECTOR
INSERTION AND REPAIR ON THE PC BOARD. THIS IS REFERED TO AS THE
"CONNECTOR KEEP OUT ZONE" AND DOES NOT REPRESENT THE ACTUAL PREIMETER
OF THE CONNECTOR. WHEN LAYING OUT A PC BOARD FOR CONNECTORS STACKED
TOGETHER, USE A 1.9mm PROGRESSION."

THIS DRAWING CONTAINS INFORMATION THAT IS PROPRIETARY TO MOLEX ELECTRONIC TECHNOLOGIES, LLC AND SHOULD NOT BE USED WITHOUT WRITTEN PERMISSION									
DIMENSION UNITS		SCALE		CURRENT REV DESC: MIGRATED TO NX					
mm		4:1		molex IMPACT 5 PAIR ORTHO MATE UNGUIDED HEADER ASSY SALES DRAWING PRODUCT CUSTOMER DRAWING DOCUMENT NUMBER: SD-76989-0001 DOC TYPE: PSD DOC PART: 001 REVISION: A MATERIAL NUMBER: SEE CHART CUSTOMER: GENERAL MARKET SHEET NUMBER: 1 OF 3					
GENERAL TOLERANCES (UNLESS SPECIFIED)									
ANGULAR TOL ± 0.5°									
4 PLACES ±									
3 PLACES ±									
2 PLACES ± 0.13									
1 PLACE ± 0.25									
0 PLACES ±				EC NO: 610093		DRWN: SKRISHNAMURT 2018/09/18		CHK'D: HLG0H 2018/12/11	
DRAFT WHERE APPLICABLE MUST REMAIN WITHIN DIMENSIONS				THIRD ANGLE PROJECTION		DRAWING C-SIZE		SERIES 76989	

PART NUMBER CHART

MATERIAL NUMBER	# OF COLUMNS	# OF DIFF PAIR
76989-112*	10	50

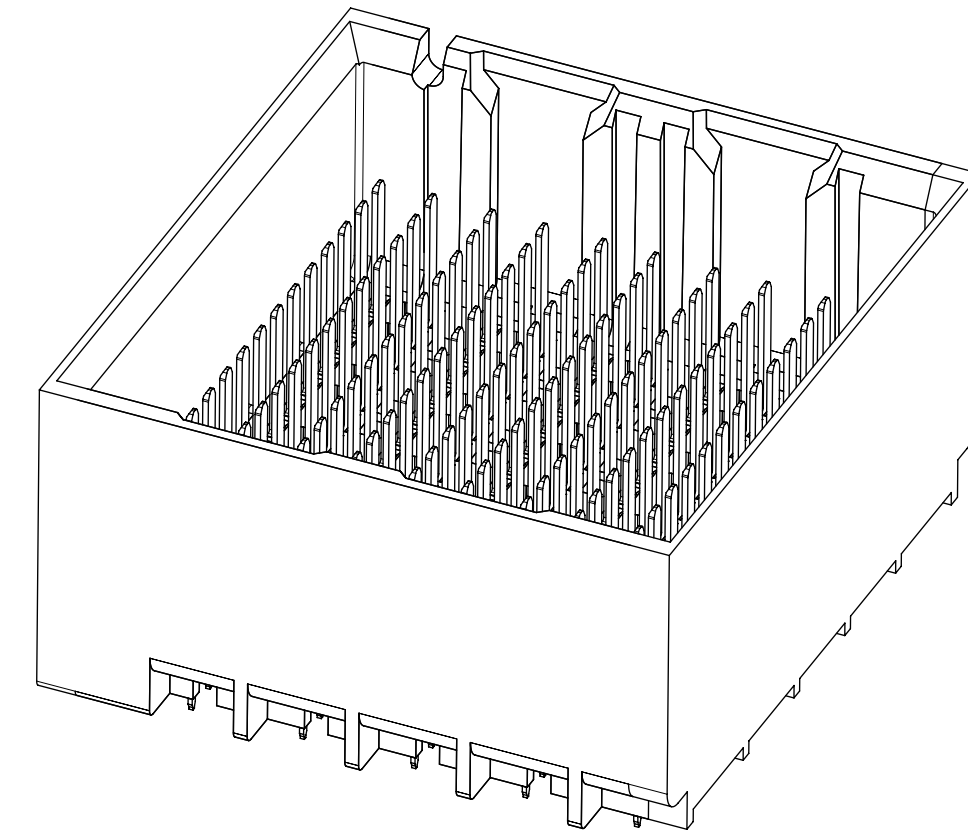
PART NUMBER LOGIC


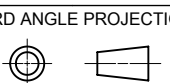
76989-112*

MODULE TYPE
1 = UNGUIDED, TIN

OF COLUMNS
1 = 10 COLUMN

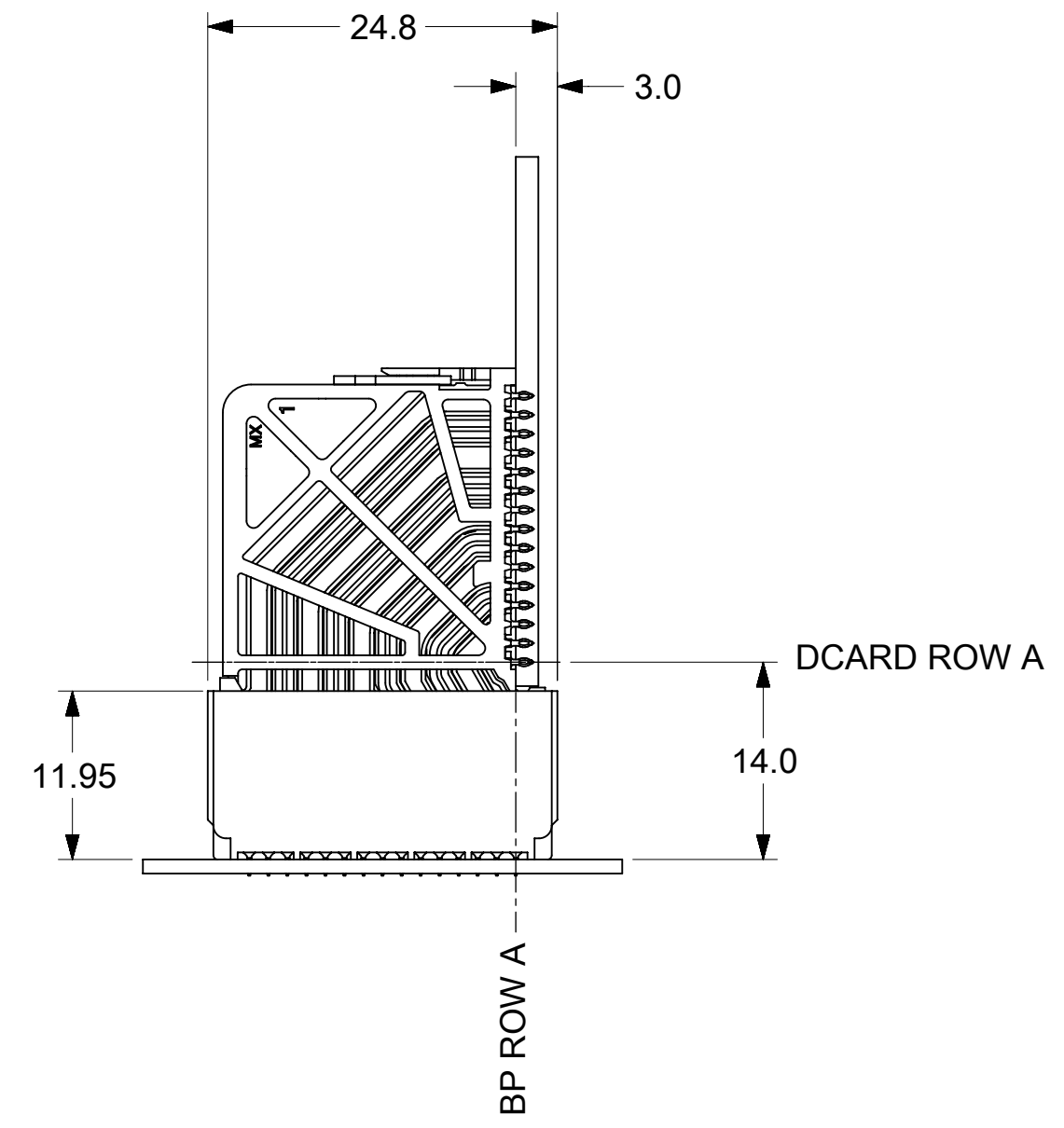
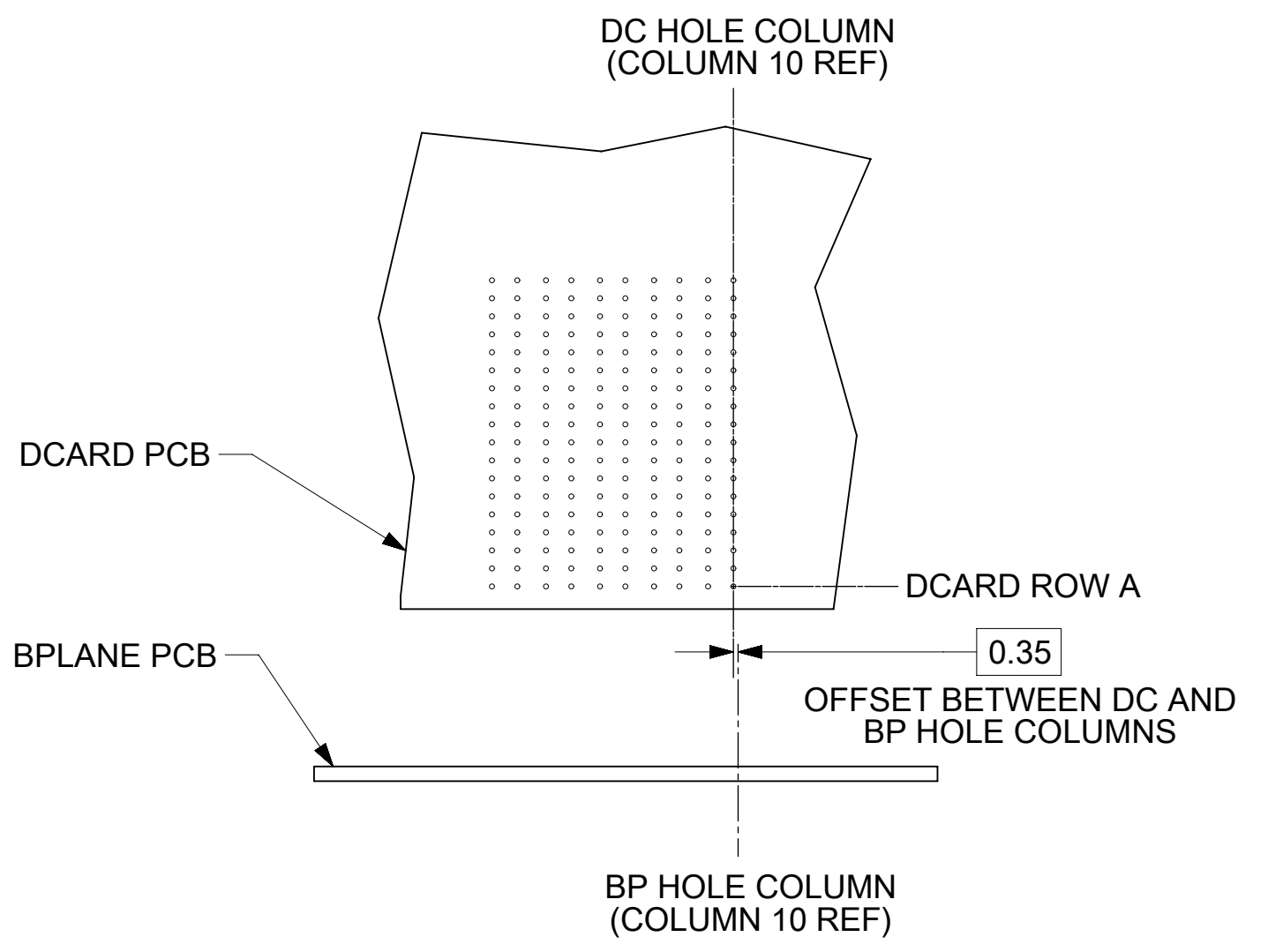
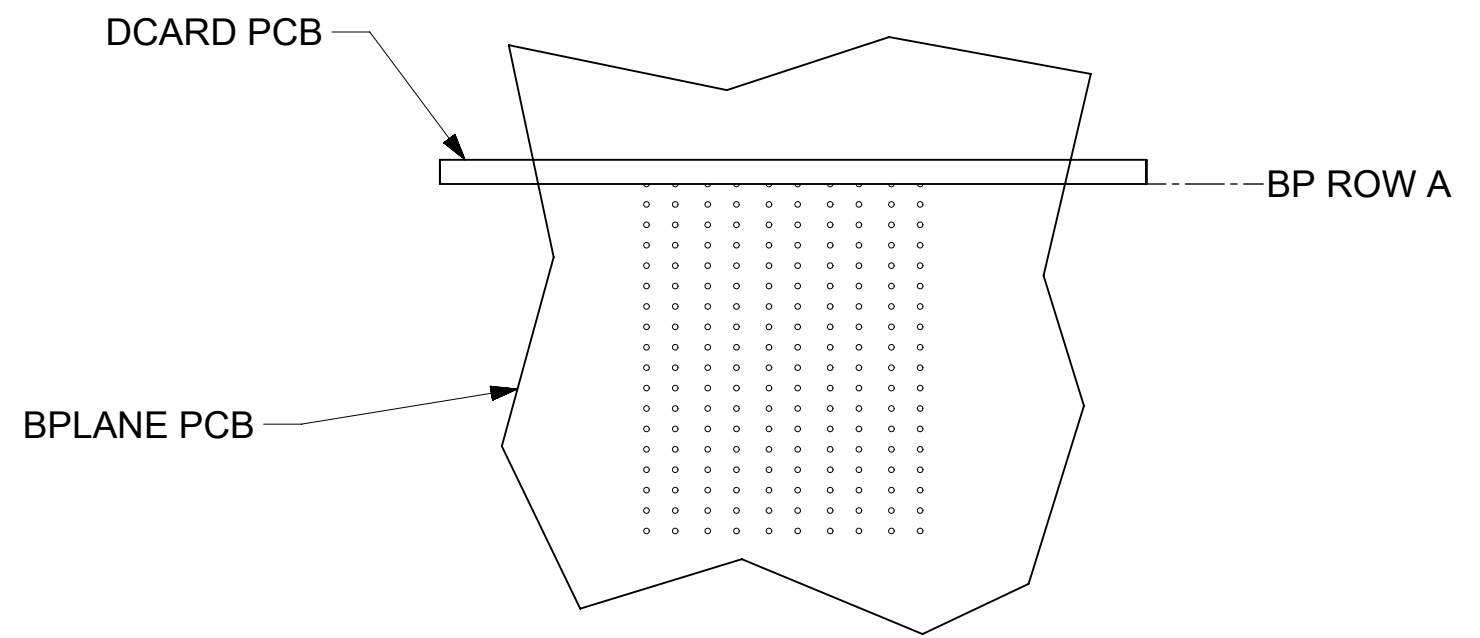
P=PIN LENGTH
4 = 4.90 (0.46 PTH)
5 = 5.50 (0.46 PTH)
7 = 4.90 (0.39 PTH)
8 = 5.50 (0.39 PTH)



THIS DRAWING CONTAINS INFORMATION THAT IS PROPRIETARY TO MOLEX ELECTRONIC TECHNOLOGIES, LLC AND SHOULD NOT BE USED WITHOUT WRITTEN PERMISSION													
DIMENSION UNITS	SCALE	CURRENT REV DESC: MIGRATED TO NX											
mm	4:1												
GENERAL TOLERANCES (UNLESS SPECIFIED)		EC NO: 610093				IMPACT 5 PAIR ORTHO MATE UNGUIDED HEADER ASSY SALES DRAWING							
ANGULAR TOL	± 0.5°	DRWN: SKRISHNAMURT 2018/09/18											
4 PLACES	±	CHK'D: HLG OH 2018/12/11				PRODUCT CUSTOMER DRAWING							
3 PLACES	±	APPR: HLG OH 2019/01/10											
2 PLACES	± 0.13	INITIAL REVISION:				DOCUMENT NUMBER							
1 PLACE	± 0.25	DRWN: JMENDOZA 2012/08/24				SD-76989-0001							
0 PLACES	±	APPR: JMENDOZA 2012/12/03				DOC TYPE		DOC PART		REVISION			
DRAFT WHERE APPLICABLE MUST REMAIN WITHIN DIMENSIONS		THIRD ANGLE PROJECTION		DRAWING		SERIES		MATERIAL NUMBER		CUSTOMER		SHEET NUMBER	
				C-SIZE		76989		SEE CHART		GENERAL MARKET		2 OF 3	

DOCUMENT STATUS	P1	RELEASE DATE	2019/01/10	07:24:06
12	11	10	9	8

IMPACT 5 PAIR ORTHO MATE BOARD RELATIONSHIPS



THIS DRAWING CONTAINS INFORMATION THAT IS PROPRIETARY TO MOLEX ELECTRONIC TECHNOLOGIES, LLC AND SHOULD NOT BE USED WITHOUT WRITTEN PERMISSION												
DIMENSION UNITS		SCALE		CURRENT REV DESC: MIGRATED TO NX				molex				
mm		2:1										
GENERAL TOLERANCES (UNLESS SPECIFIED)				EC NO: 610093 DRWN: SKRISHNAMURT 2018/09/18 CHK'D: HLG0H 2018/12/11 APPR: HLG0H 2019/01/10 INITIAL REVISION: DRWN: JMENDOZA 2012/08/24 APPR: JMENDOZA 2012/12/03				DOCUMENT NUMBER		DOC TYPE	DOC PART	REVISION
ANGULAR TOL	±	0.5°						SD-76989-0001		PSD	001	A
4 PLACES	±							MATERIAL NUMBER		CUSTOMER		SHEET NUMBER
3 PLACES	±							SEE CHART		GENERAL MARKET		3 OF 3
2 PLACES	±	0.13										
1 PLACE	±	0.25										
0 PLACES	±											
DRAFT WHERE APPLICABLE MUST REMAIN WITHIN DIMENSIONS				THIRD ANGLE PROJECTION	DRAWING	SERIES						
					C-SIZE	76989						

DOCUMENT STATUS	P1	RELEASE DATE	2019/01/10 07:24:06
-----------------	----	--------------	---------------------