

MATERIALS AND FINISHES

BODY ZINC ALLOY  
 PLATED BRIGHT TIN 100 MICROINCHES MIN.

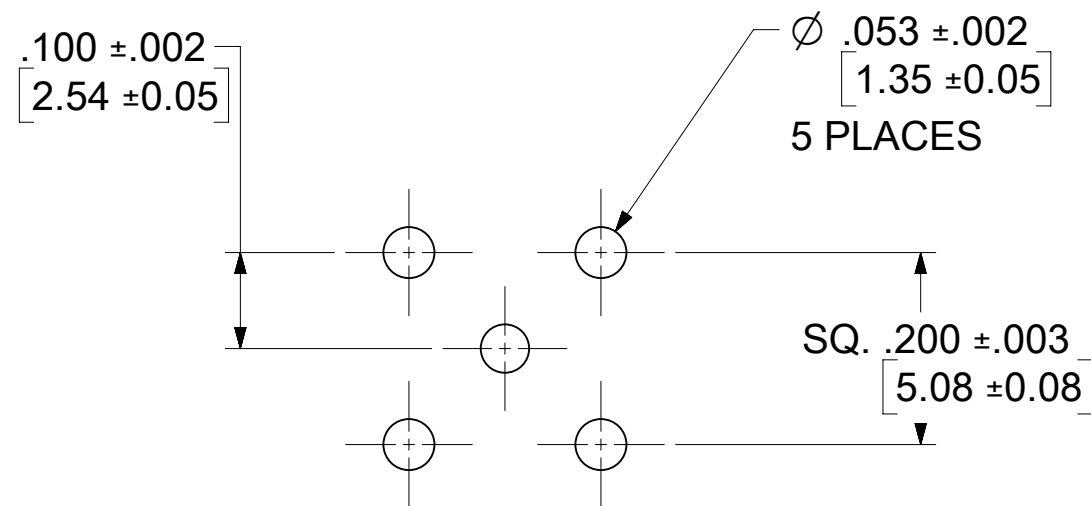
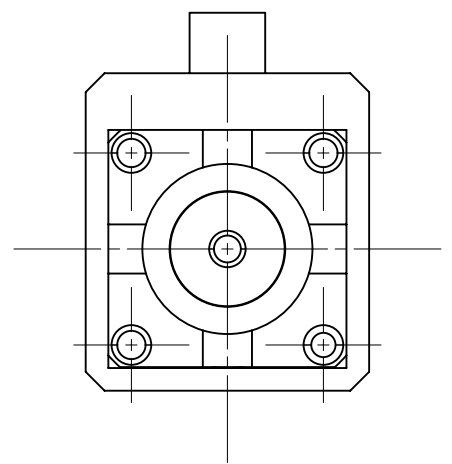
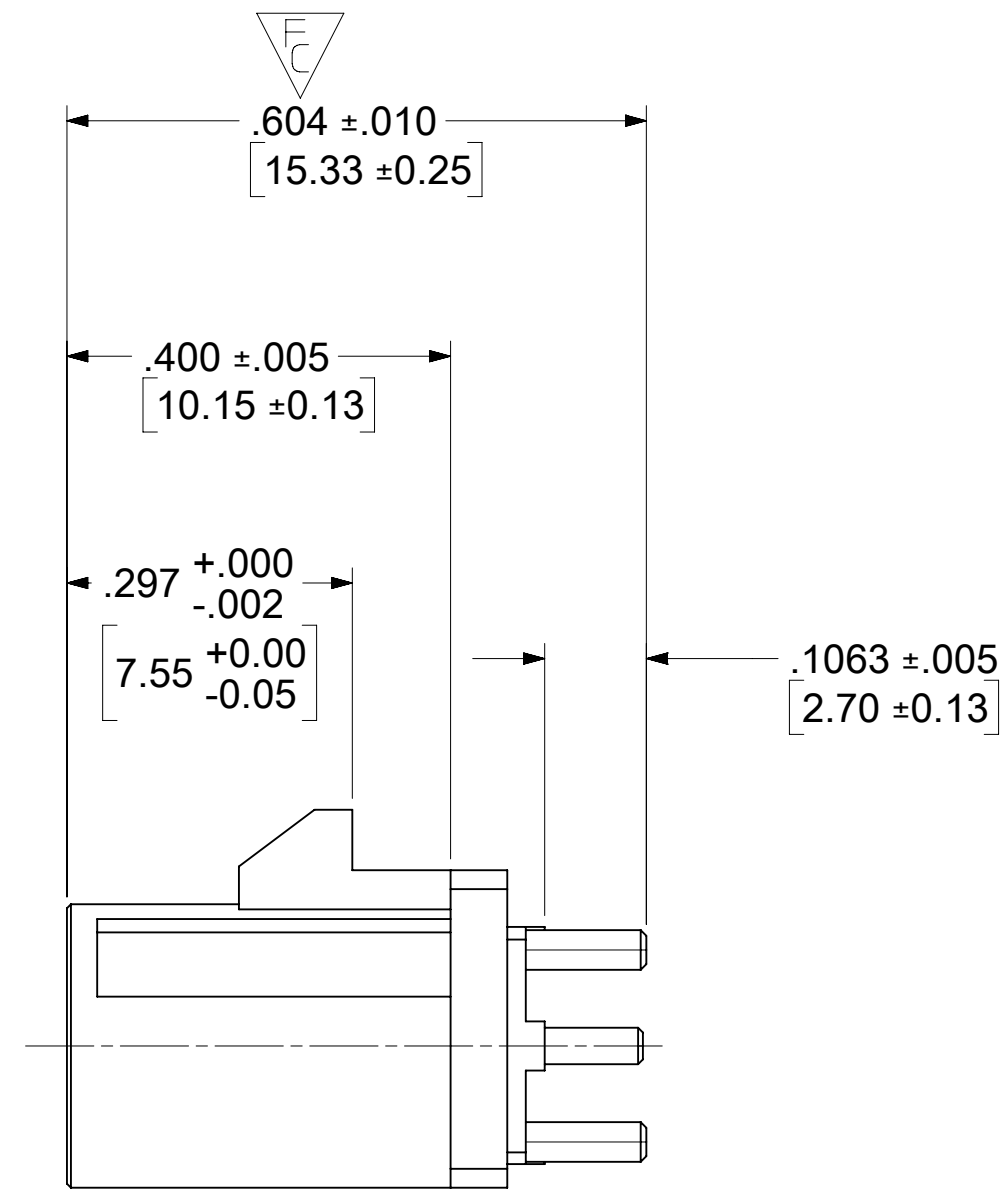
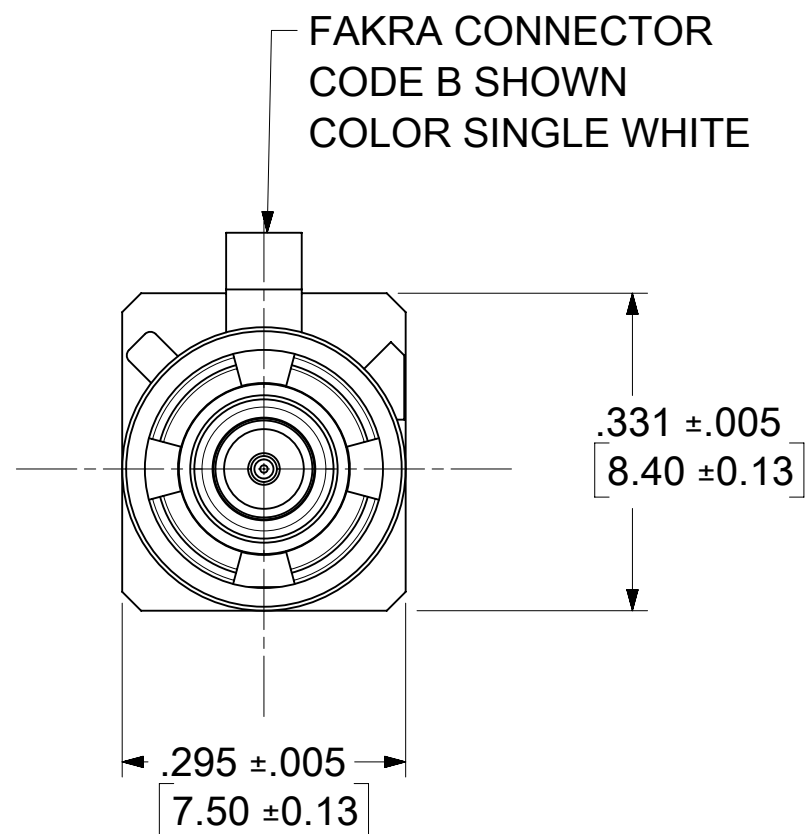
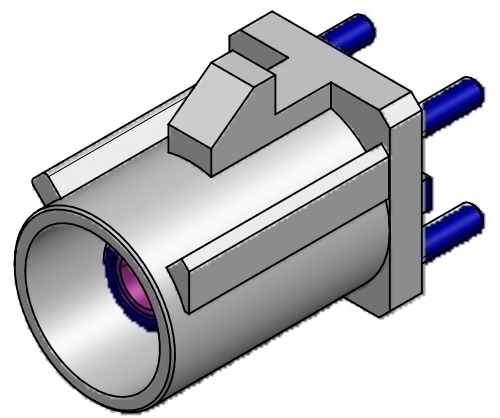
CENTER CONTACT BRASS  
 PLATED GOLD 5 MICROINCHES MIN. OVER  
 NICKEL 50 MICROINCHES MIN.

OUTER CASING NYLON46 30GF (STANYL TS200F6)  
 KEYING CODE B  
 COLOR SINGLE WHITE

INSULATOR TEFLON

RETENTION SPECIFICATION:

THE FAKRA CONNECTOR SHROUD WILL WITHSTAND  
 A LONGITUDINAL FORCE OF 110 N (24.75 LBS)



RECOMMENDED PCB LAYOUT

PART # 73403-5561

PS-89675-3310	PRODUCT SPECIFICATION
MIL-STD-348A, FIG. 311.1	INTERFACE SPECIFICATION
SPECIFICATION	DESCRIPTION

FUNCTIONAL SYMBOLS FA = 0 FC = 0 FP = 0	THIS DRAWING CONTAINS INFORMATION THAT IS PROPRIETARY TO MOLEX ELECTRONIC TECHNOLOGIES, LLC AND SHOULD NOT BE USED WITHOUT WRITTEN PERMISSION		CURRENT REV DESC:		<b>molex</b>		
	DIMENSION UNITS	SCALE	EC NO: 719496				
	INCH/MM	NTS	DRWN: ELIN 2022/08/17				
	GENERAL TOLERANCES (UNLESS SPECIFIED)		CHK'D: YCHENG 2022/08/30				
DIVISIONAL SYMBOLS	ANGULAR TOL ± 2.0°		APPR: YCHENG 2022/08/30		PRODUCT CUSTOMER DRAWING		
	4 PLACES ±	INITIAL REVISION:					
	3 PLACES ±	DRWN: ELIN 2010/01/20					
	2 PLACES ±	APPR: MHUANG 2010/01/27					
1 PLACE ±	DOCUMENT NUMBER		DOC TYPE	DOC PART	REVISION		
0 PLACES ±	SD-73403-556		PSD	001	A4		
DRAFT WHERE APPLICABLE MUST REMAIN WITHIN DIMENSIONS		THIRD ANGLE PROJECTION	DRAWING	SERIES	MATERIAL NUMBER	CUSTOMER	SHEET NUMBER
			C-SIZE	73403	SEE TABLE	GENERAL MARKET	1 OF 8

DOCUMENT STATUS	P1	RELEASE DATE	2022/08/30	08:30:37
-----------------	----	--------------	------------	----------

MATERIALS AND FINISHES

BODY ZINC ALLOY  
 PLATED BRIGHT TIN 100 MICROINCHES MIN.

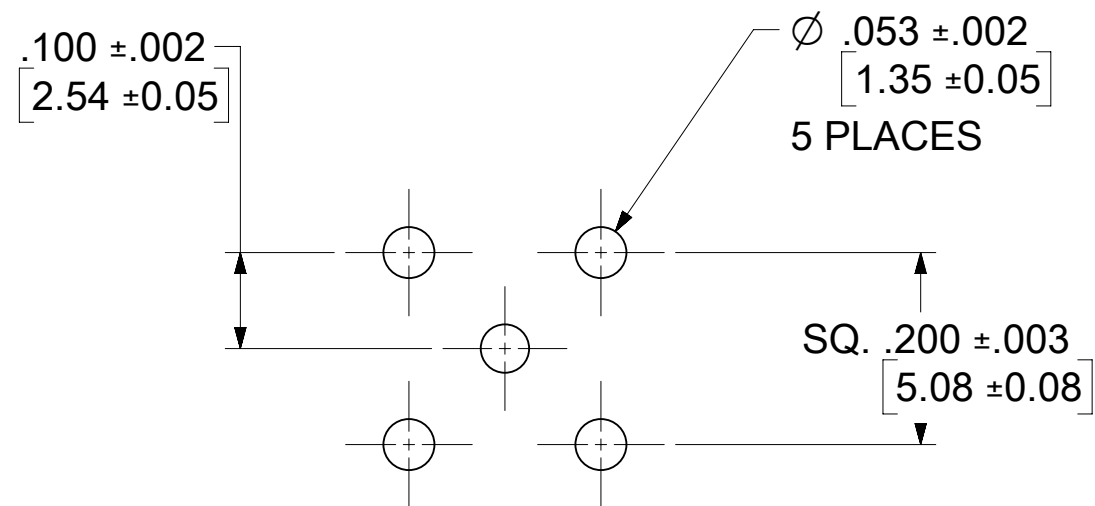
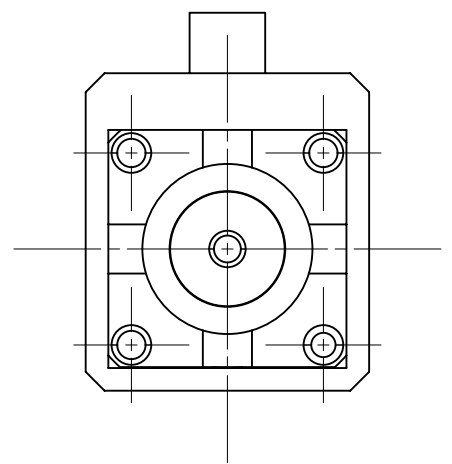
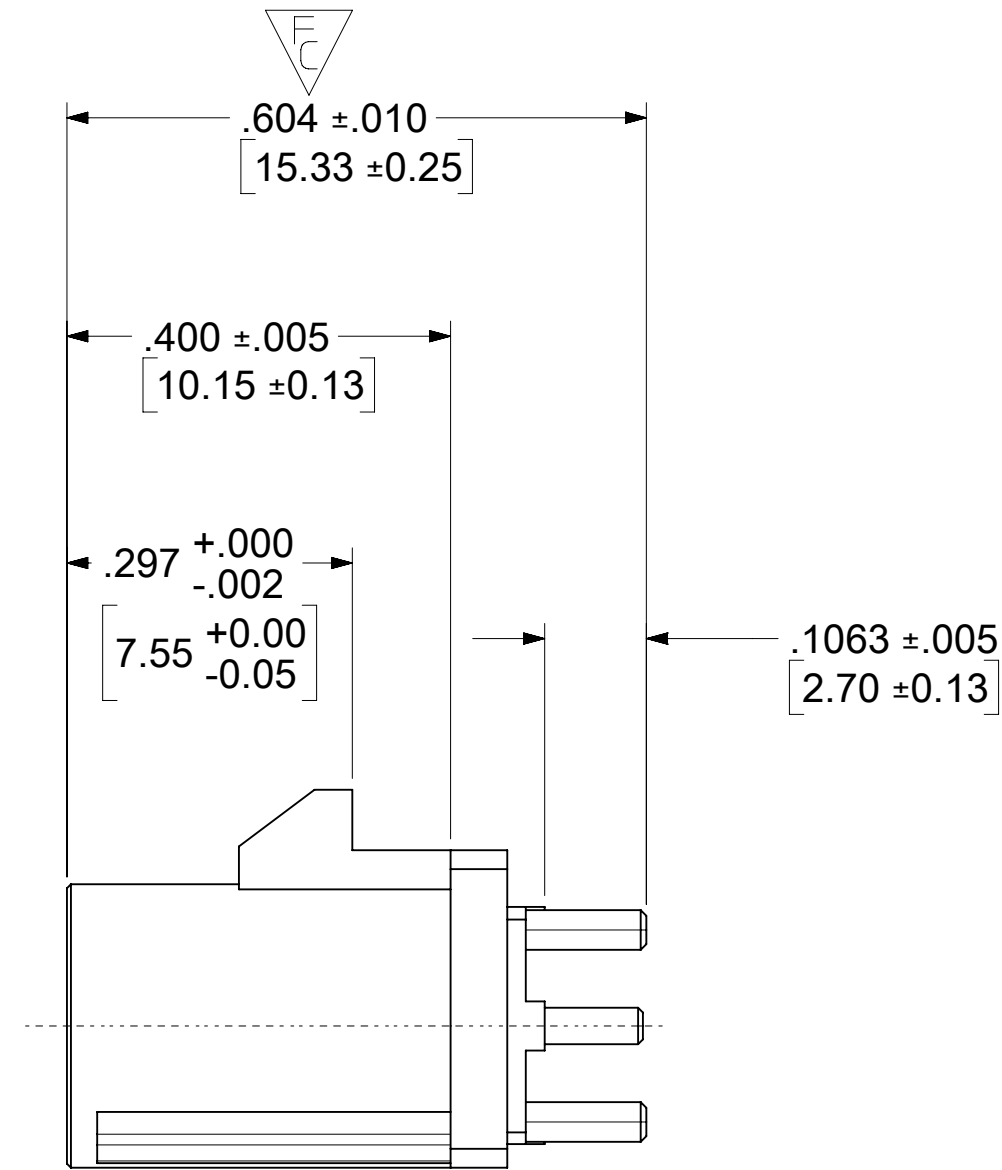
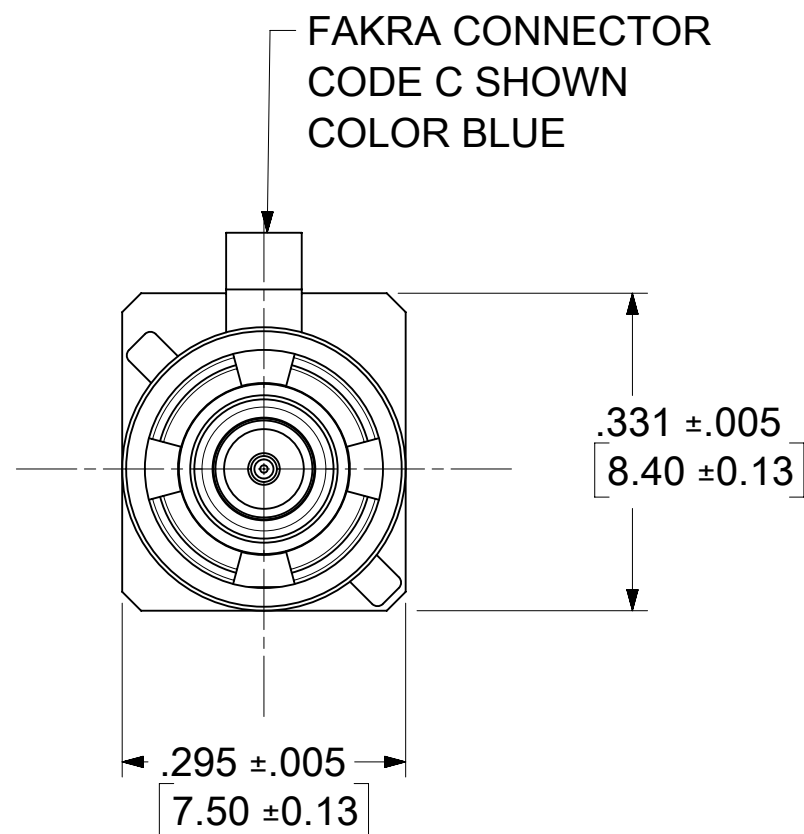
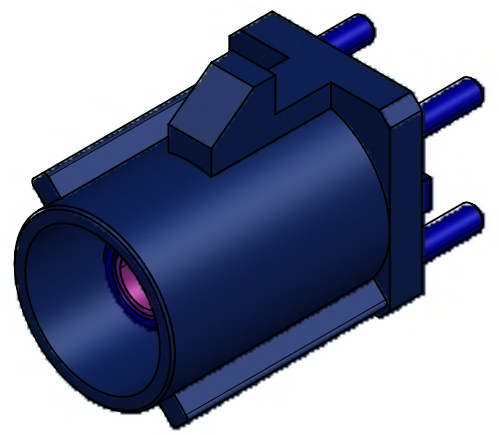
CENTER CONTACT BRASS  
 PLATED GOLD 5 MICROINCHES MIN. OVER  
 NICKEL 50 MICROINCHES MIN.

OUTER CASING NYLON46 30GF (STANYL TS200F6)  
 KEYING CODE C  
 COLOR BLUE

INSULATOR TEFLON

RETENTION SPECIFICATION:

THE FAKRA CONNECTOR SHROUD WILL WITHSTAND  
 A LONGITUDINAL FORCE OF 110 N (24.75 LBS)



RECOMMENDED PCB LAYOUT

PART # 73403-5562

PS-89675-3310	PRODUCT SPECIFICATION
MIL-STD-348A, FIG. 311.1	INTERFACE SPECIFICATION
SPECIFICATION	DESCRIPTION

FUNCTIONAL SYMBOLS $\frac{F}{A} = 0$ $\frac{F}{C} = 0$ $\frac{F}{P} = 0$	THIS DRAWING CONTAINS INFORMATION THAT IS PROPRIETARY TO MOLEX ELECTRONIC TECHNOLOGIES, LLC AND SHOULD NOT BE USED WITHOUT WRITTEN PERMISSION	SCALE		CURRENT REV DESC:	<b>molex</b>				
	DIMENSION UNITS	INCH/MM	NTS			EC NO: 719496 DRWN: ELIN 2022/08/17 CHK'D: YCHENG 2022/08/30 APPR: YCHENG 2022/08/30			
	GENERAL TOLERANCES (UNLESS SPECIFIED)	ANGULAR TOL ± 2.0°							
	4 PLACES ±	3 PLACES ±	2 PLACES ±						
DIVISIONAL SYMBOLS	3 PLACES ±	2 PLACES ±	1 PLACE ±	INITIAL REVISION:	DOCUMENT NUMBER	DOC TYPE	DOC PART	REVISION	
0 PLACES ±	DRWN: ELIN 2010/01/20	APPR: MHUANG 2010/01/27	INITIAL REVISION:	DRWN: ELIN 2010/01/20	APPR: MHUANG 2010/01/27	SD-73403-556	PSD	001	A4
DRAFT WHERE APPLICABLE MUST REMAIN WITHIN DIMENSIONS	THIRD ANGLE PROJECTION	DRAWING	SERIES	MATERIAL NUMBER	CUSTOMER	SHEET NUMBER			
		C-SIZE	73403	SEE TABLE	GENERAL MARKET	2 OF 8			

DOCUMENT STATUS	P1	RELEASE DATE	2022/08/30	08:30:37
-----------------	----	--------------	------------	----------

MATERIALS AND FINISHES

BODY ZINC ALLOY  
 PLATED BRIGHT TIN 100 MICROINCHES MIN.

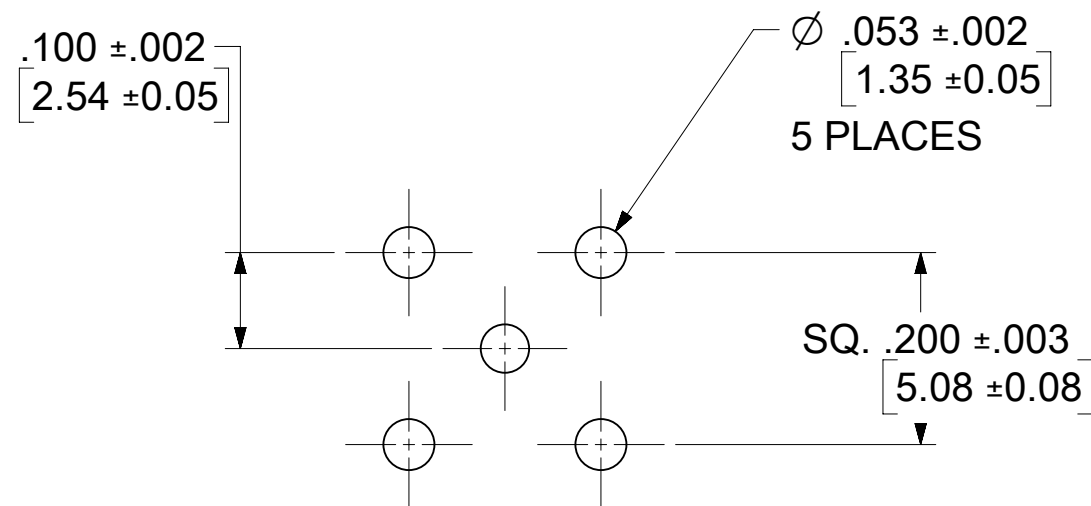
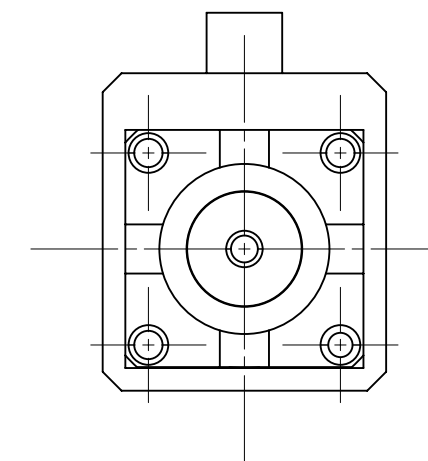
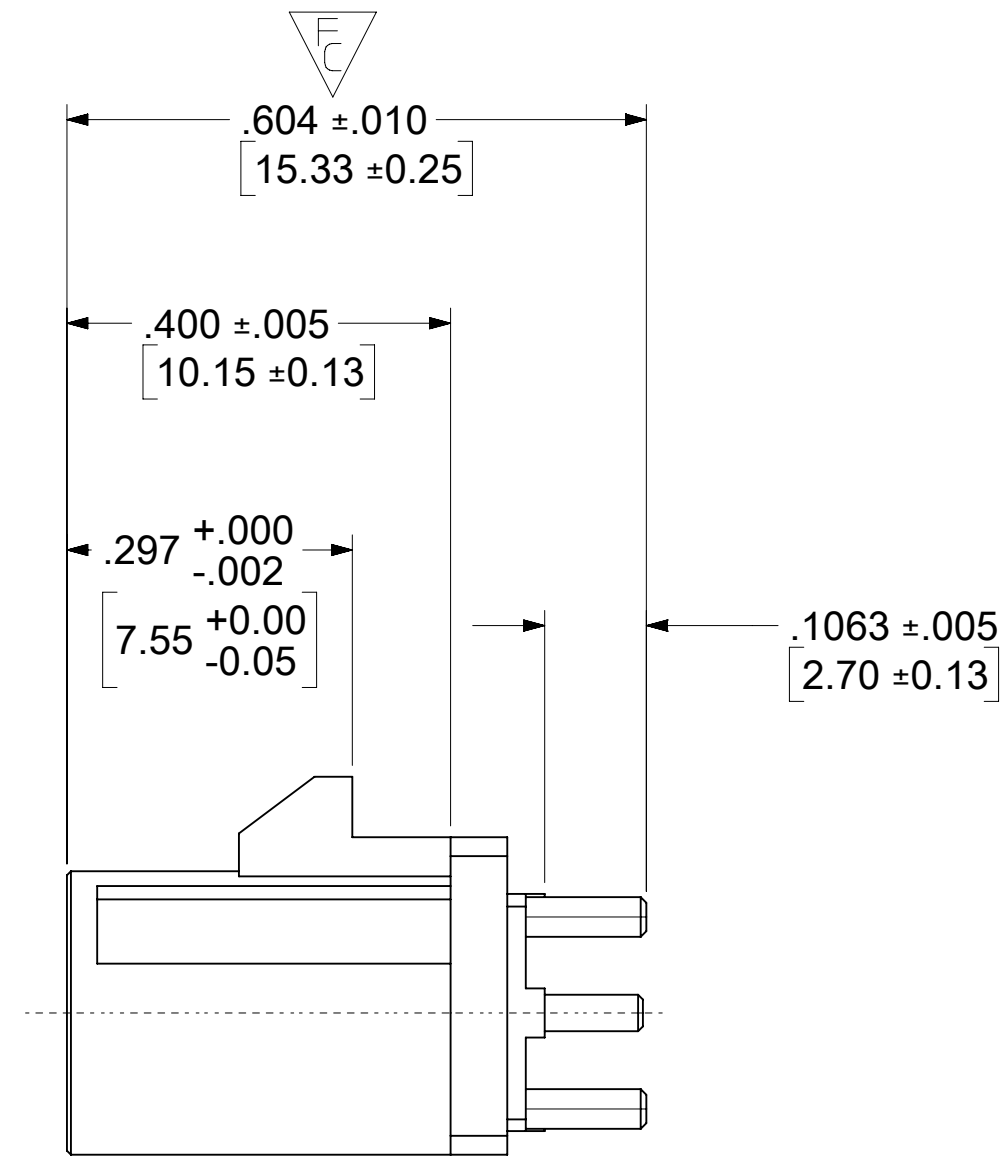
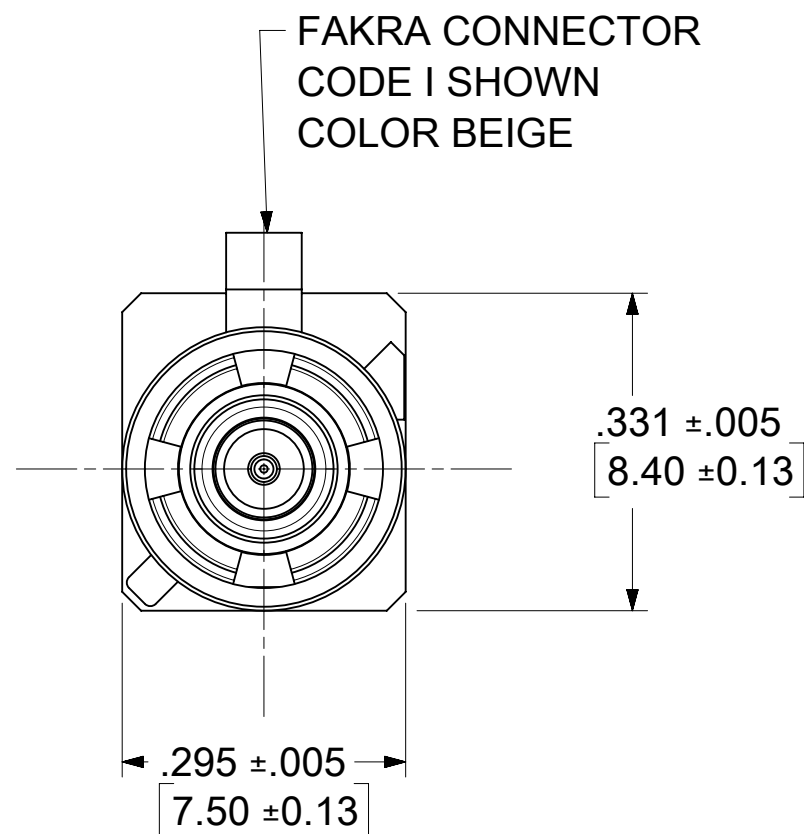
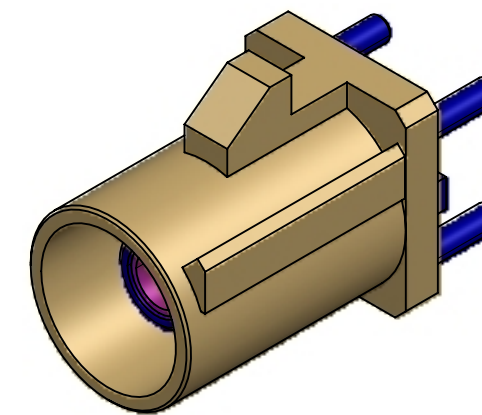
CENTER CONTACT BRASS  
 PLATED GOLD 5 MICROINCHES MIN. OVER  
 NICKEL 50 MICROINCHES MIN.

OUTER CASING NYLON46 30GF (STANYL TS200F6)  
 KEYING CODE I  
 COLOR BEIGE

INSULATOR TEFLON

RETENTION SPECIFICATION:

THE FAKRA CONNECTOR SHROUD WILL WITHSTAND  
 A LONGITUDINAL FORCE OF 110 N (24.75 LBS)



RECOMMENDED PCB LAYOUT

PART # 73403-5568

PS-89675-3310	PRODUCT SPECIFICATION
MIL-STD-348A, FIG. 311.1	INTERFACE SPECIFICATION
SPECIFICATION	DESCRIPTION

FUNCTIONAL SYMBOLS $\frac{F}{A} = 0$ $\frac{F}{C} = 0$ $\frac{F}{P} = 0$	THIS DRAWING CONTAINS INFORMATION THAT IS PROPRIETARY TO MOLEX ELECTRONIC TECHNOLOGIES, LLC AND SHOULD NOT BE USED WITHOUT WRITTEN PERMISSION	SCALE		CURRENT REV DESC:											
	DIMENSION UNITS	INCH/MM	SCALE	NTS	GENERAL TOLERANCES (UNLESS SPECIFIED)										
	DIVISIONAL SYMBOLS	ANGULAR TOL	±	2.0°	4 PLACES	±	EC NO: 719496	DRWN: ELIN	2022/08/17						
	1 PLACE	±	CHK'D: YCHENG	2022/08/30	2 PLACES	±	APPR: YCHENG	2022/08/30	INITIAL REVISION:						
0 PLACES	±	DRWN: ELIN	2010/01/20	0 PLACES	±	APPR: MHUANG	2010/01/27	DOCUMENT NUMBER	SD-73403-556	DOC TYPE	PSD	DOC PART	001	REVISION	A4
DRAFT WHERE APPLICABLE MUST REMAIN WITHIN DIMENSIONS		THIRD ANGLE PROJECTION		DRAWING		SERIES		MATERIAL NUMBER		CUSTOMER		SHEET NUMBER			
				C-SIZE		73403		SEE TABLE		GENERAL MARKET		3 OF 8			

DOCUMENT STATUS	P1	RELEASE DATE	2022/08/30	08:30:37
-----------------	----	--------------	------------	----------

MATERIALS AND FINISHES

BODY ZINC ALLOY  
 PLATED BRIGHT TIN 100 MICROINCHES MIN.

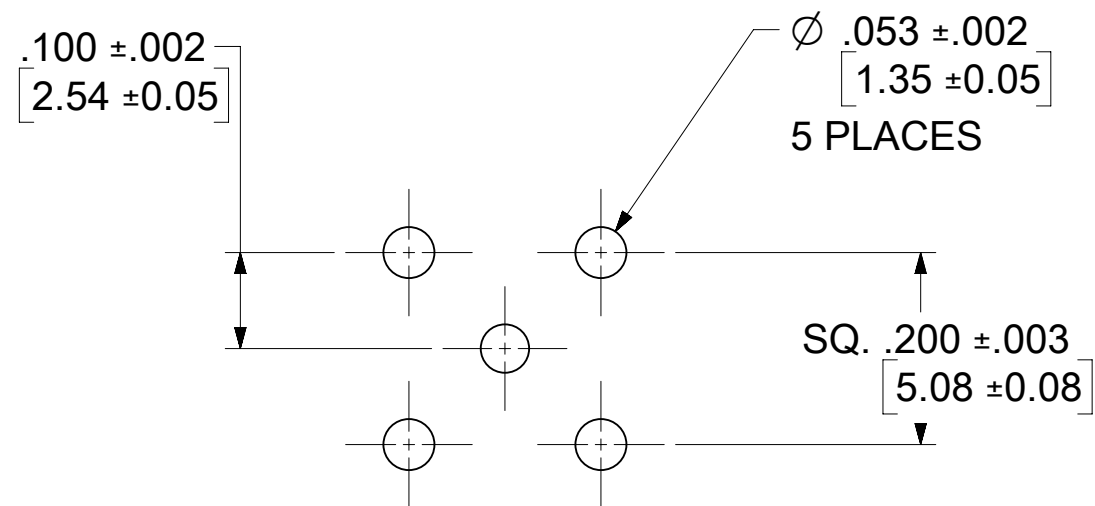
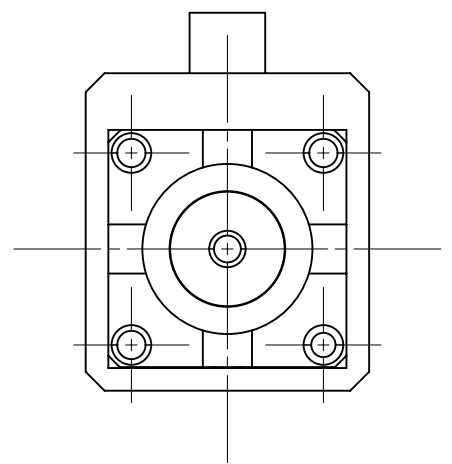
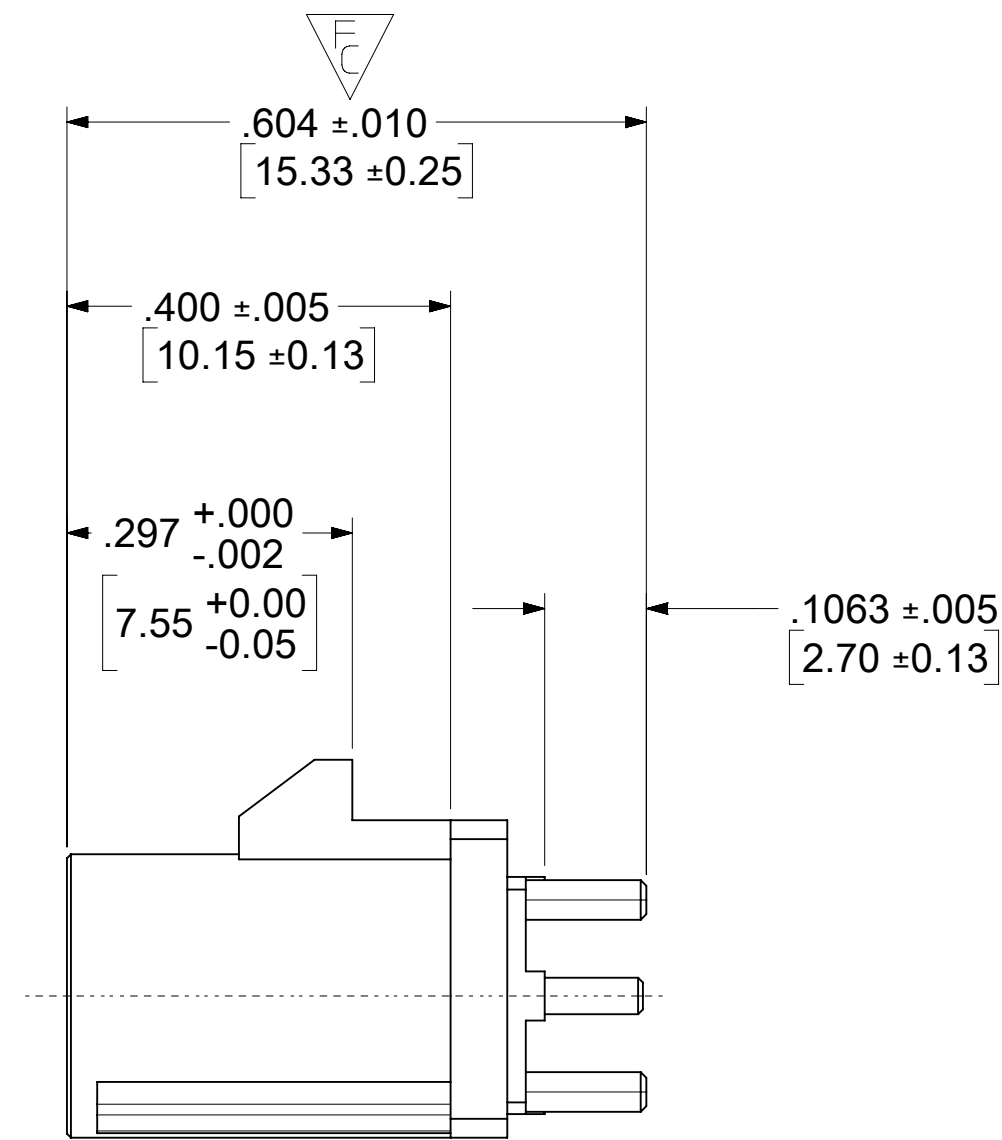
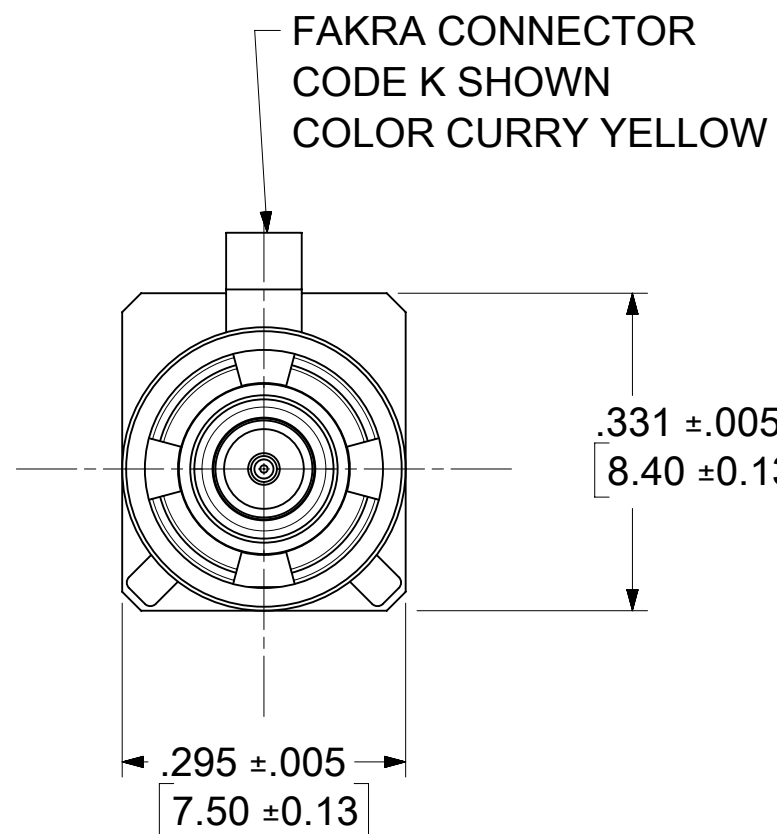
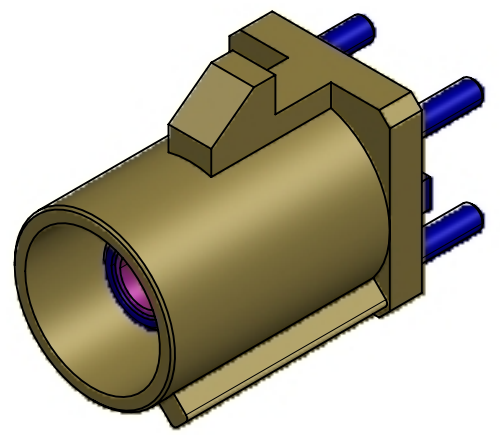
CENTER CONTACT BRASS  
 PLATED GOLD 5 MICROINCHES MIN. OVER  
 NICKEL 50 MICROINCHES MIN.

OUTER CASING NYLON46 30GF (STANYL TS200F6)  
 KEYING CODE K  
 COLOR CURRY YELLOW

INSULATOR TEFLON

RETENTION SPECIFICATION:

THE FAKRA CONNECTOR SHROUD WILL WITHSTAND  
 A LONGITUDINAL FORCE OF 110 N (24.75 LBS)



RECOMMENDED PCB LAYOUT

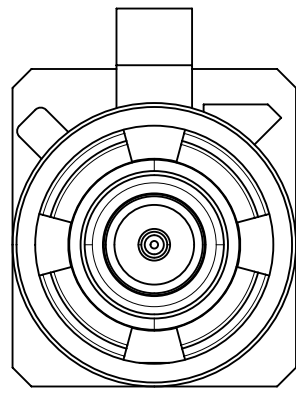
PART # 73403-5569

PS-89675-3310	PRODUCT SPECIFICATION
MIL-STD-348A, FIG. 311.1	INTERFACE SPECIFICATION
SPECIFICATION	DESCRIPTION

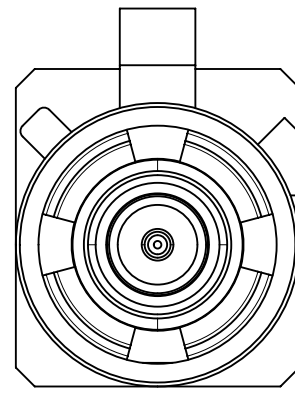
FUNCTIONAL SYMBOLS FA = 0 FC = 0 FP = 0	THIS DRAWING CONTAINS INFORMATION THAT IS PROPRIETARY TO MOLEX ELECTRONIC TECHNOLOGIES, LLC AND SHOULD NOT BE USED WITHOUT WRITTEN PERMISSION		CURRENT REV DESC:		<p>SMB JACK, FAKRA, VERTICAL PCB, 50 OHM SMB-J/PCB, EWR # 14535</p> <p>PRODUCT CUSTOMER DRAWING</p>			
	DIMENSION UNITS	SCALE	EC NO: 719496					
	INCH/MM	NTS	DRWN: ELIN 2022/08/17					
	GENERAL TOLERANCES (UNLESS SPECIFIED)		CHK'D: YCHENG 2022/08/30					
DIVISIONAL SYMBOLS	ANGULAR TOL ± 2.0°		APPR: YCHENG 2022/08/30		DOCUMENT NUMBER	DOC TYPE	DOC PART	REVISION
	4 PLACES ±	INITIAL REVISION:		SD-73403-556	PSD	001	A4	
	3 PLACES ±	DRWN: ELIN 2010/01/20		MATERIAL NUMBER	CUSTOMER		SHEET NUMBER	
	2 PLACES ±	APPR: MHUANG 2010/01/27		SEE TABLE	GENERAL MARKET		4 OF 8	
1 PLACE ±	DRAFT WHERE APPLICABLE MUST REMAIN WITHIN DIMENSIONS		THIRD ANGLE PROJECTION	DRAWING	SERIES			
0 PLACES ±				C-SIZE	73403			

DOCUMENT STATUS	P1	RELEASE DATE	2022/08/30	08:30:37
-----------------	----	--------------	------------	----------

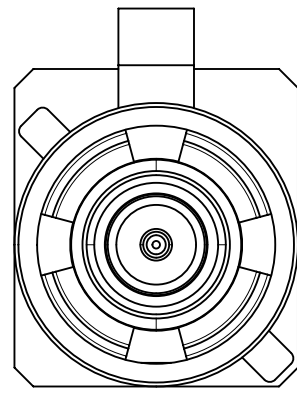




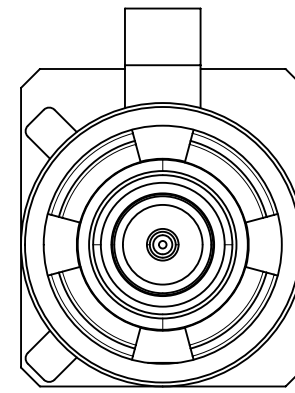
CODE A



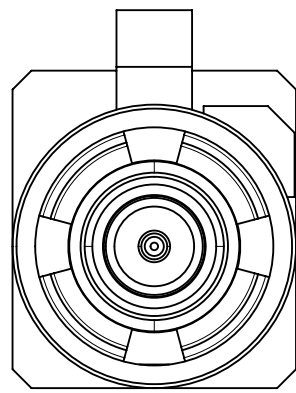
CODE B



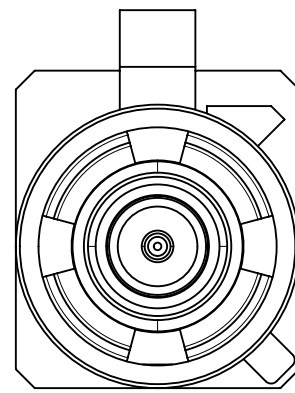
CODE C



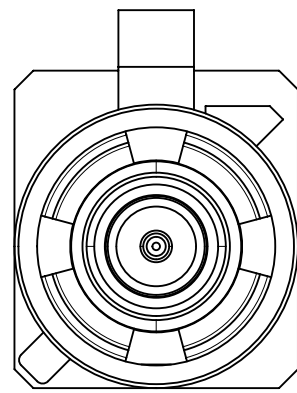
CODE D



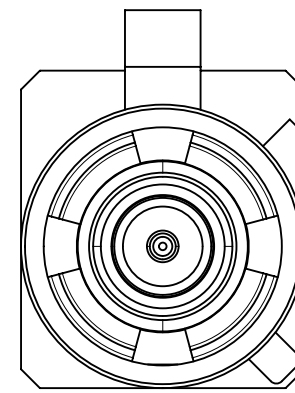
CODE E



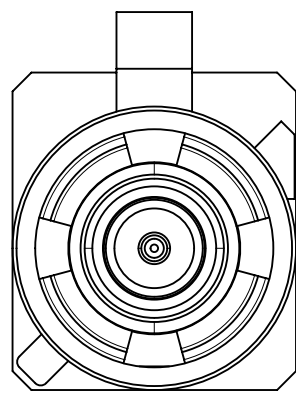
CODE F



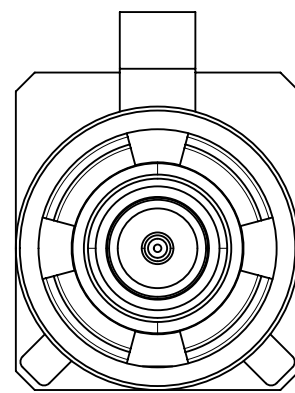
CODE G



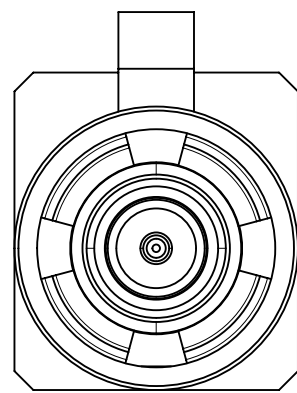
CODE H



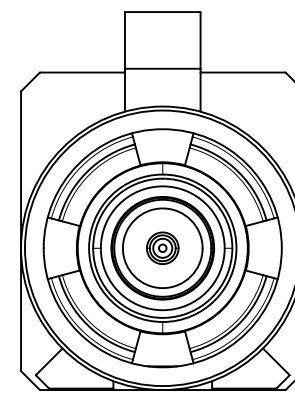
CODE I



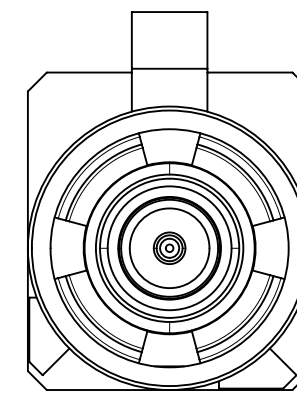
CODE K



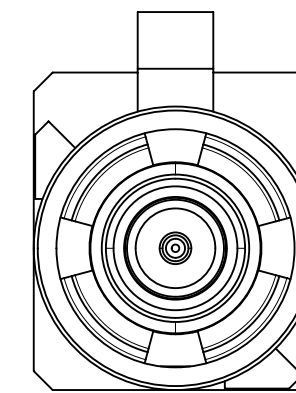
CODE Z



CODE L



CODE M



CODE N

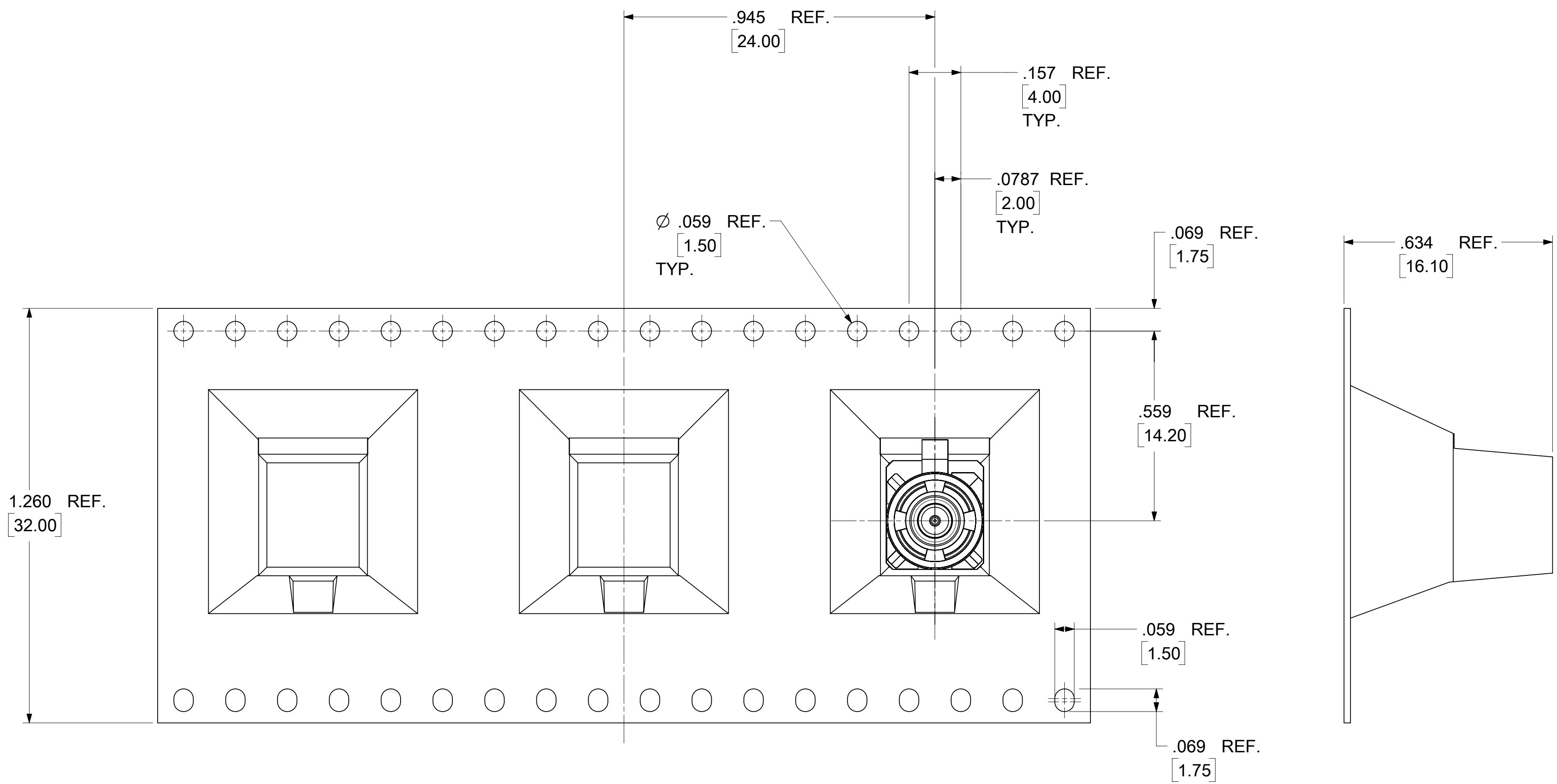
N	PASTEL GREEN	73403-5573
M	PASTEL ORANGE	73403-5572
L	CARMINE RED	73403-5571
Z	WATER BLUE	73403-5570
K	CURRY YELLOW	73403-5569
I	BEIGE	73403-5568
H	VIOLET	73403-5567
G	GRAY	73403-5566
F	BROWN	73403-5565
E	GREEN	73403-5564
D	BORDEAUXVIOLET	73403-5563
C	BLUE	73403-5562
B	SINGLE WHITE	73403-5561
A	BLACK	73403-5560
KEYING CODE	COLOR	PART NO.

FUNCTIONAL SYMBOLS	THIS DRAWING CONTAINS INFORMATION THAT IS PROPRIETARY TO MOLEX ELECTRONIC TECHNOLOGIES, LLC AND SHOULD NOT BE USED WITHOUT WRITTEN PERMISSION							
	DIMENSION UNITS	SCALE	CURRENT REV DESC:					
$\frac{E}{A} = 0$	INCH/MM	NTS	EC NO: 719496 DRWN: ELIN 2022/08/17 CHK'D: YCHENG 2022/08/30 APPR: YCHENG 2022/08/30					
$\frac{E}{C} = 0$	GENERAL TOLERANCES (UNLESS SPECIFIED)							
$\frac{E}{P} = 0$	ANGULAR TOL $\pm 2.0^\circ$							
DIVISIONAL SYMBOLS	4 PLACES	$\pm$	INITIAL REVISION: DRWN: ELIN 2010/01/20 APPR: MHUANG 2010/01/27					
	3 PLACES	$\pm$						
	2 PLACES	$\pm$						
	1 PLACE	$\pm$						
	0 PLACES	$\pm$						
DRAFT WHERE APPLICABLE MUST REMAIN WITHIN DIMENSIONS		THIRD ANGLE PROJECTION	DRAWING	SERIES	DOCUMENT NUMBER	DOC TYPE	DOC PART	REVISION
			C-SIZE	73403	SD-73403-556	PSD	001	A4
					SEE TABLE	GENERAL MARKET		5 OF 8

**molex**

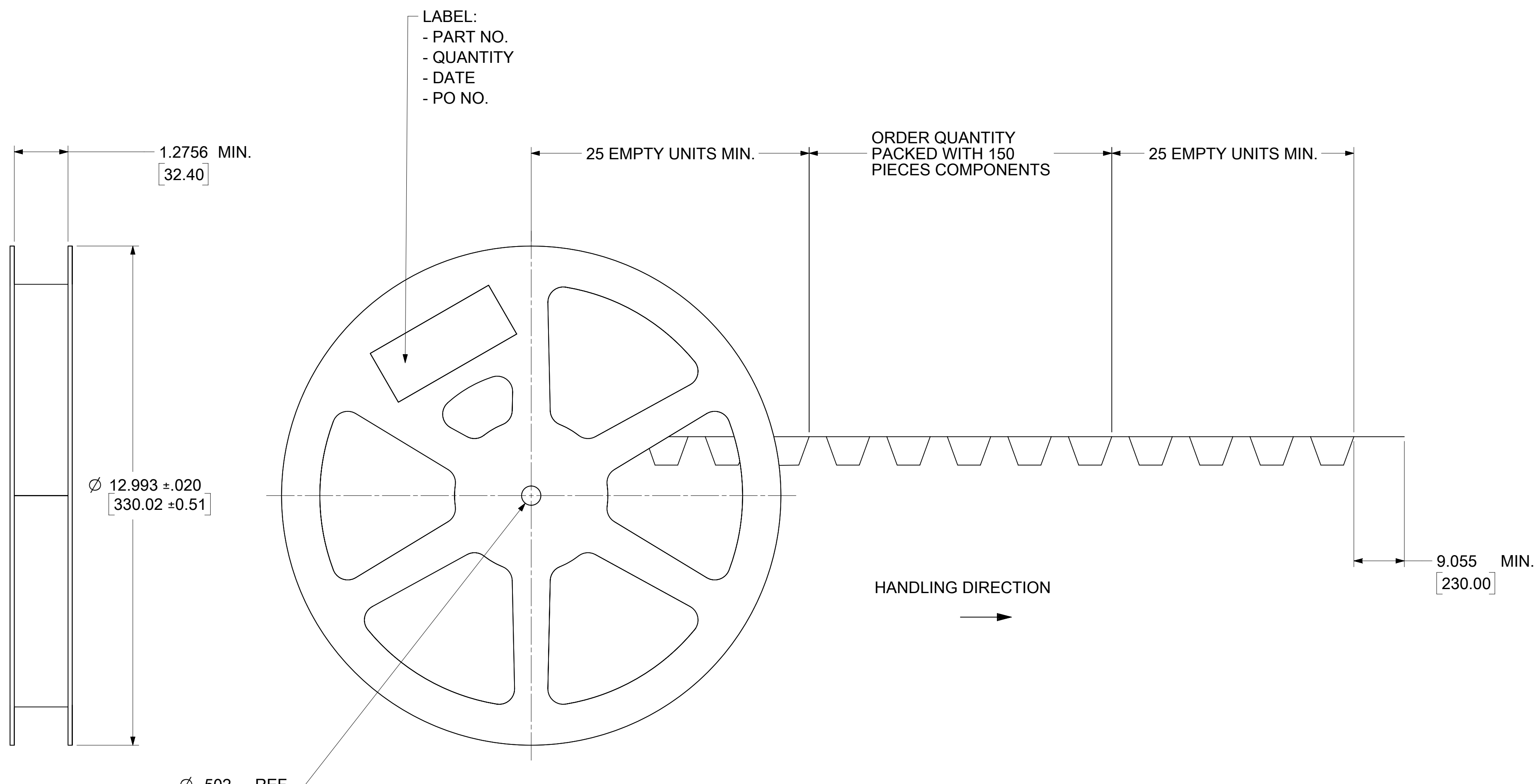
SMB JACK, FAKRA, VERTICAL PCB, 50 OHM  
SMB-J/PCB, EWR # 14535

PRODUCT CUSTOMER DRAWING



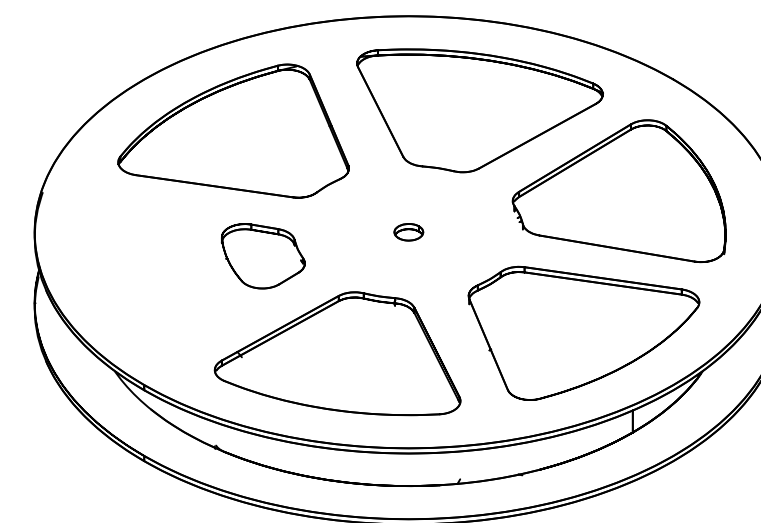
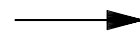
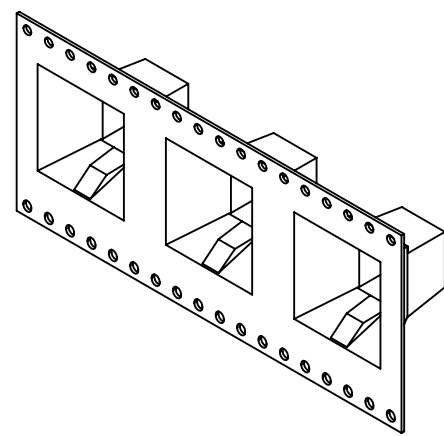
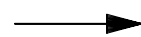
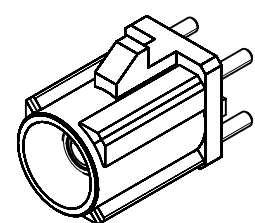
FUNCTIONAL SYMBOLS		THIS DRAWING CONTAINS INFORMATION THAT IS PROPRIETARY TO MOLEX ELECTRONIC TECHNOLOGIES, LLC AND SHOULD NOT BE USED WITHOUT WRITTEN PERMISSION		CURRENT REV DESC:						
DIMENSION UNITS		SCALE		EC NO: 719496						SMB JACK, FAKRA, VERTICAL PCB, 50 OHM SMB-J/PCB, EWR # 14535
= 0		INCH/MM NTS		DRWN: ELIN 2022/08/17		PRODUCT CUSTOMER DRAWING				
= 0		GENERAL TOLERANCES (UNLESS SPECIFIED)		CHK'D: YCHENG 2022/08/30		DOCUMENT NUMBER				
= 0		ANGULAR TOL ± 2.0°		APPR: YCHENG 2022/08/30		SD-73403-556				
DIVISIONAL SYMBOLS		4 PLACES ±		INITIAL REVISION:		DOC TYPE		DOC PART		REVISION
		3 PLACES ±		DRWN: ELIN 2010/01/20		PSD		001		A4
		2 PLACES ±		APPR: MHUANG 2010/01/27		MATERIAL NUMBER		CUSTOMER		SHEET NUMBER
		1 PLACE ±		DRAFT WHERE APPLICABLE MUST REMAIN WITHIN DIMENSIONS		SEE TABLE		GENERAL MARKET		6 OF 8
		0 PLACES ±		THIRD ANGLE PROJECTION		C-SIZE		73403		

DOCUMENT STATUS	P1	RELEASE DATE	2022/08/30	08:30:37
-----------------	----	--------------	------------	----------

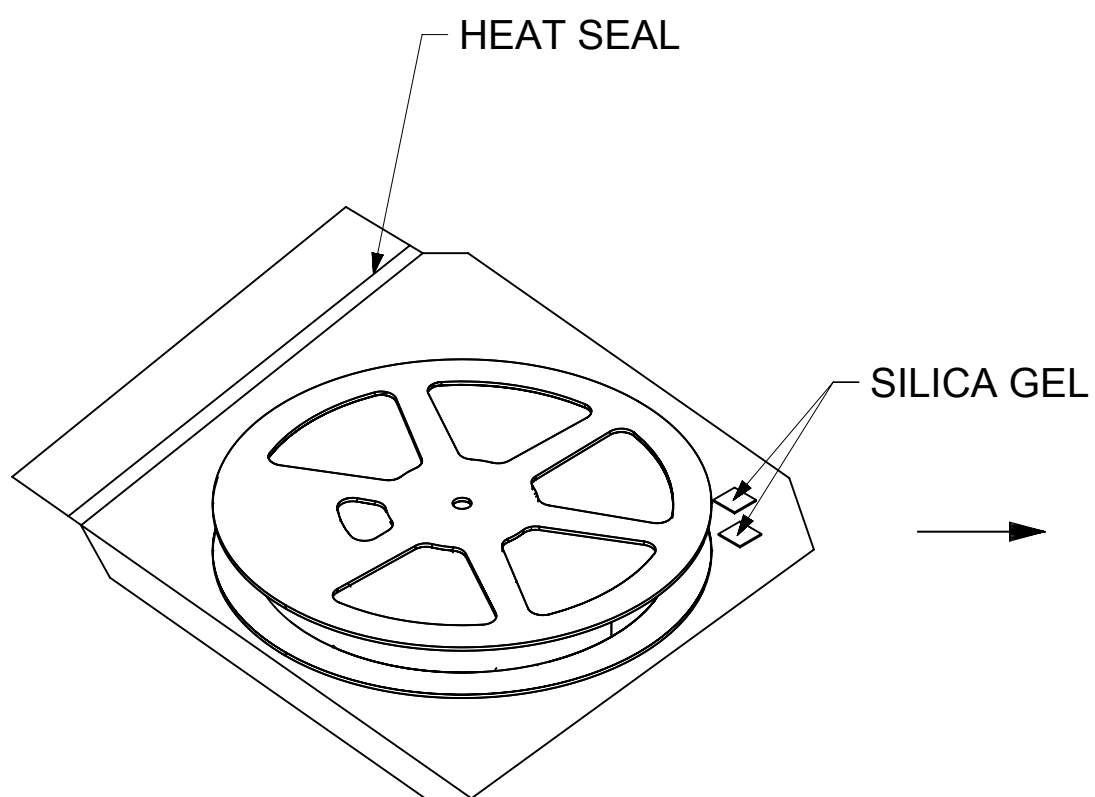


NOTE:  
13" REEL SIZE FOR 150 PIECES

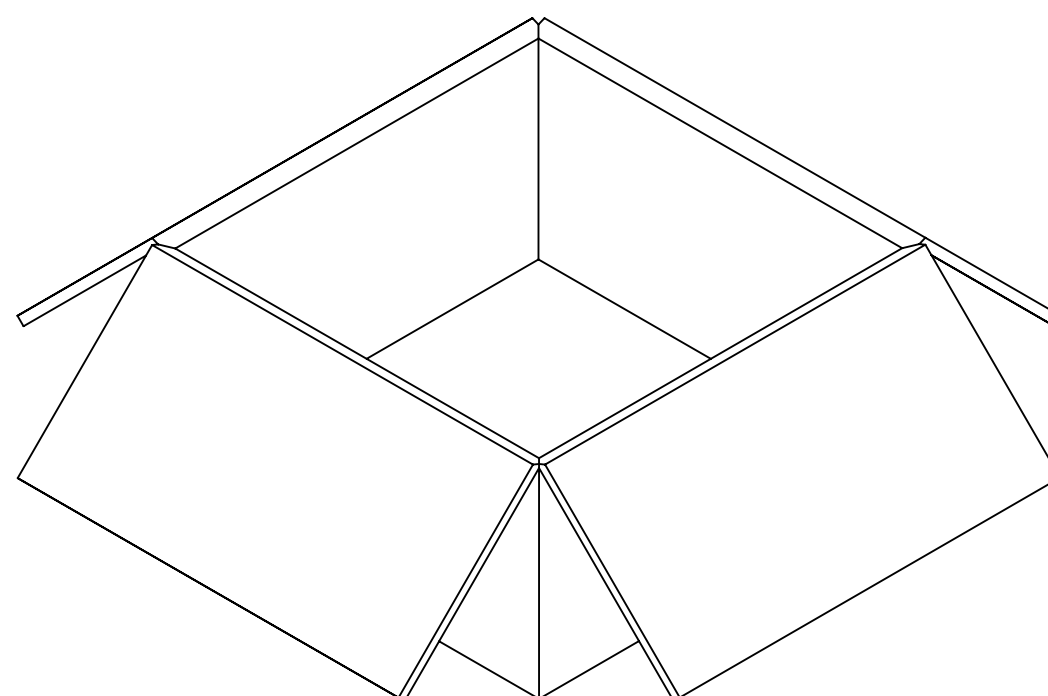
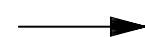
<b>FUNCTIONAL SYMBOLS</b> $\nabla_A = 0$ $\nabla_C = 0$ $\nabla_P = 0$	THIS DRAWING CONTAINS INFORMATION THAT IS PROPRIETARY TO MOLEX ELECTRONIC TECHNOLOGIES, LLC AND SHOULD NOT BE USED WITHOUT WRITTEN PERMISSION											
	DIMENSION UNITS	SCALE	CURRENT REV DESC:									
	INCH/MM	NTS	EC NO: 719496 DRWN: ELIN 2022/08/17 CHK'D: YCHENG 2022/08/30 APPR: YCHENG 2022/08/30									
	GENERAL TOLERANCES (UNLESS SPECIFIED)		ANGULAR TOL ± 2.0° 4 PLACES ± 3 PLACES ± 2 PLACES ± 1 PLACE ± 0 PLACES ±								PRODUCT CUSTOMER DRAWING	
<b>DIVISIONAL SYMBOLS</b>	DRAFT WHERE APPLICABLE MUST REMAIN WITHIN DIMENSIONS		THIRD ANGLE PROJECTION	DRAWING	SERIES	MATERIAL NUMBER	CUSTOMER	DOCUMENT NUMBER		DOC TYPE	DOC PART	REVISION
				C-SIZE	73403	SEE TABLE	GENERAL MARKET	SD-73403-556		PSD	001	A4



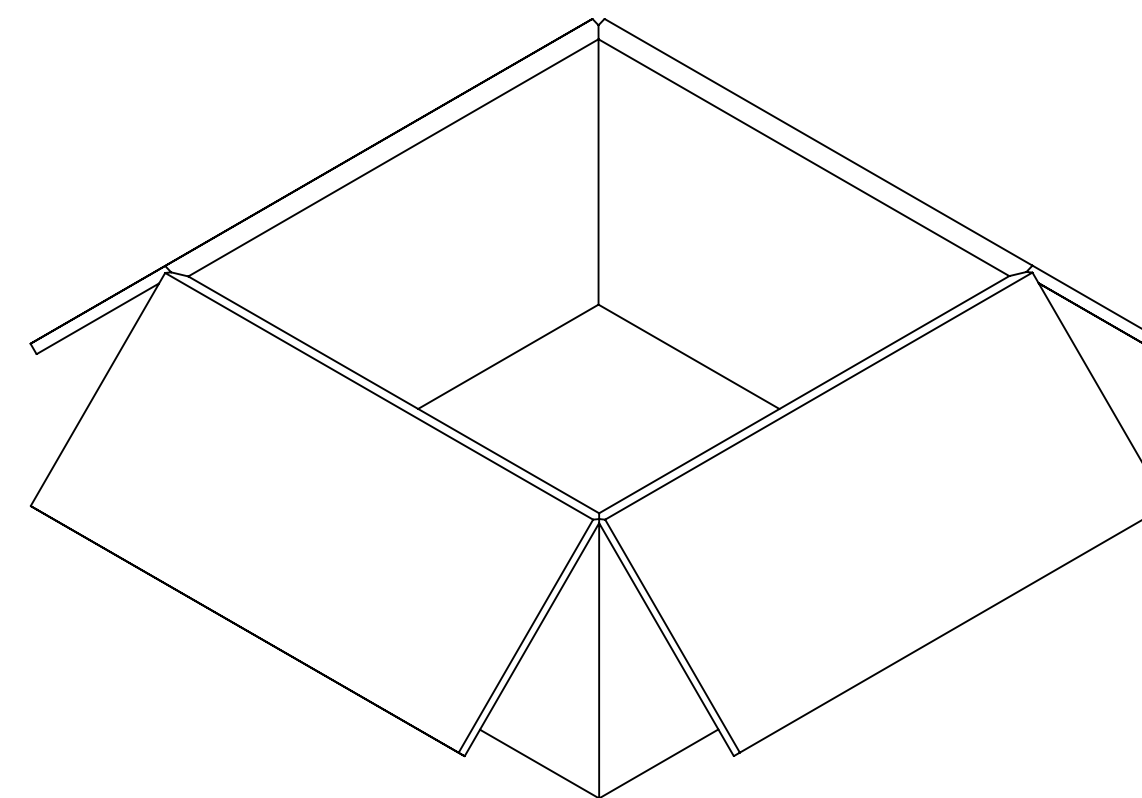
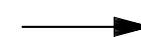
150 SET PER 13" REEL



HDPE BAG



600 SET PER INNER  
CARTON BOX



600 SET PER OUTER  
CARTON BOX

FUNCTIONAL SYMBOLS	THIS DRAWING CONTAINS INFORMATION THAT IS PROPRIETARY TO MOLEX ELECTRONIC TECHNOLOGIES, LLC AND SHOULD NOT BE USED WITHOUT WRITTEN PERMISSION										
	DIMENSION UNITS	SCALE	CURRENT REV DESC:							<b>molex</b>	
$\frac{F}{A} = 0$	INCH/MM	NTS	EC NO: 719496								
$\frac{E}{C} = 0$	GENERAL TOLERANCES (UNLESS SPECIFIED)		DRWN: ELIN 2022/08/17							SMB-J/PCB, EWR # 14535	
$\frac{E}{P} = 0$	ANGULAR TOL $\pm 2.0^\circ$		CHK'D: YCHENG 2022/08/30							PRODUCT CUSTOMER DRAWING	
DIVISIONAL SYMBOLS	4 PLACES $\pm$		APPR: YCHENG 2022/08/30							DOCUMENT NUMBER	
	3 PLACES $\pm$		INITIAL REVISION:							DOC TYPE	
	2 PLACES $\pm$		DRWN: ELIN 2010/01/20							DOC PART	
	1 PLACE $\pm$		APPR: MHUANG 2010/01/27							REVISION	
0 PLACES $\pm$		DRAFT WHERE APPLICABLE MUST REMAIN WITHIN DIMENSIONS		THIRD ANGLE PROJECTION		DRAWING	SERIES	MATERIAL NUMBER	CUSTOMER	SHEET NUMBER	
				C-SIZE	73403	SEE TABLE	GENERAL MARKET	SD-73403-556	PSD 001	A4	

DOCUMENT STATUS	P1	RELEASE DATE	2022/08/30	08:30:37
-----------------	----	--------------	------------	----------