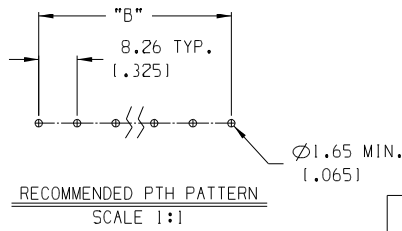
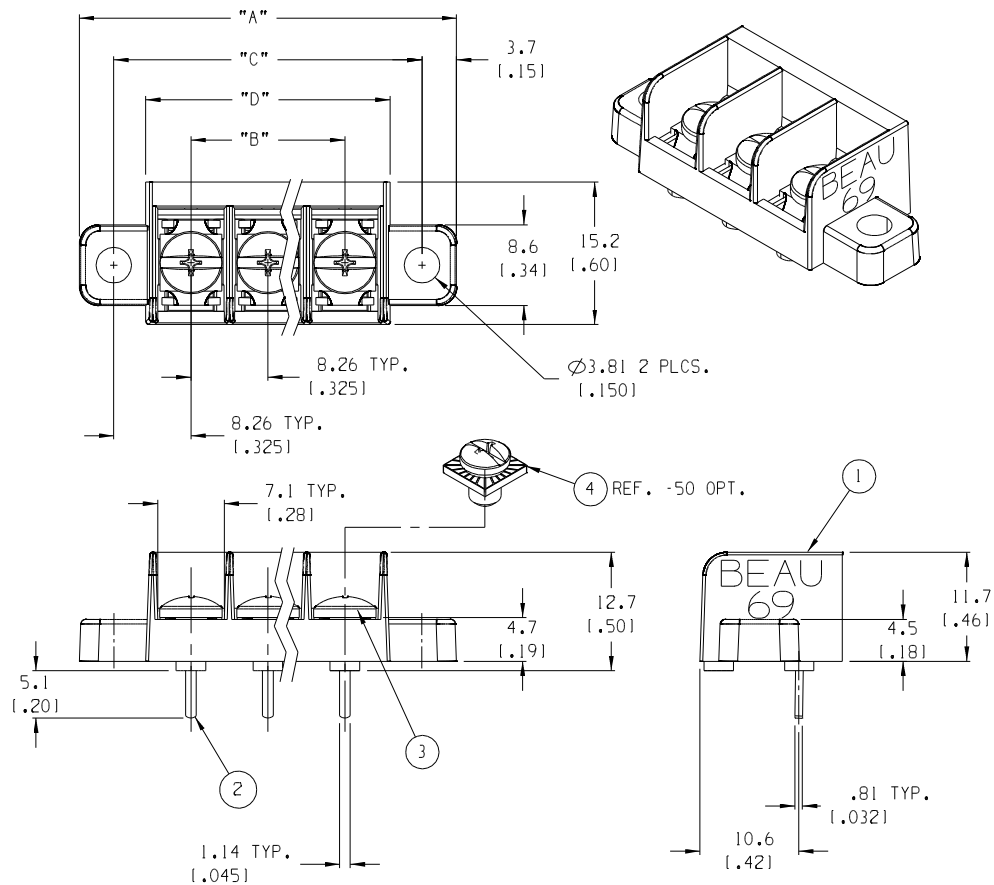


| # OF CIRC. "XX" | "A"           | "B"             | "C"             | "D"            | MATERIAL NO. (STD) | MATERIAL NO. (-50 OPTION) |
|-----------------|---------------|-----------------|-----------------|----------------|--------------------|---------------------------|
| 01              | 23.9 [1.94]   | -               | 16.51 [1.650]   | 9.7 [1.381]    | 386906401          | 386907601                 |
| 02              | 32.1 [1.27]   | 8.26 [1.325]    | 24.77 [1.975]   | 17.9 [1.711]   | 386906402          | 386907602                 |
| 03              | 40.4 [1.59]   | 16.51 [1.650]   | 33.02 [1.300]   | 26.2 [1.031]   | 386906403          | 386907603                 |
| 04              | 48.6 [1.92]   | 24.77 [1.975]   | 41.28 [1.625]   | 34.4 [1.361]   | 386906404          | 386907604                 |
| 05              | 56.9 [2.24]   | 33.02 [1.300]   | 49.53 [1.950]   | 42.7 [1.681]   | 386906405          | 386907605                 |
| 06              | 65.2 [2.57]   | 41.28 [1.625]   | 57.79 [2.275]   | 50.9 [2.011]   | 386906406          | 386907606                 |
| 07              | 73.4 [2.89]   | 49.53 [1.950]   | 66.04 [2.600]   | 59.2 [2.331]   | 386906407          | 386907607                 |
| 08              | 81.7 [3.22]   | 57.79 [2.275]   | 74.30 [2.925]   | 67.4 [2.661]   | 386906408          | 386907608                 |
| 09              | 89.9 [3.54]   | 66.04 [2.600]   | 82.55 [3.250]   | 75.7 [2.981]   | 386906409          | 386907609                 |
| 10              | 98.2 [3.87]   | 74.30 [2.925]   | 90.81 [3.575]   | 83.9 [3.311]   | 386906410          | 386907610                 |
| 11              | 106.4 [4.19]  | 82.55 [3.250]   | 99.06 [3.900]   | 92.2 [3.631]   | 386906411          | 386907611                 |
| 12              | 114.7 [4.52]  | 90.81 [3.575]   | 107.32 [4.225]  | 100.5 [3.961]  | 386906412          | 386907612                 |
| 13              | 122.9 [4.84]  | 99.06 [3.900]   | 115.57 [4.550]  | 108.7 [4.281]  | 386906413          | 386907613                 |
| 14              | 131.2 [5.17]  | 107.32 [4.225]  | 123.83 [4.875]  | 117.0 [4.611]  | 386906414          | 386907614                 |
| 15              | 139.4 [5.49]  | 115.57 [4.550]  | 132.08 [5.200]  | 125.2 [4.931]  | 386906415          | 386907615                 |
| 16              | 147.7 [5.82]  | 123.83 [4.875]  | 140.34 [5.525]  | 133.5 [5.261]  | 386906416          | 386907616                 |
| 17              | 156.0 [6.14]  | 132.08 [5.200]  | 148.59 [5.850]  | 141.7 [5.581]  | 386906417          | 386907617                 |
| 18              | 164.2 [6.47]  | 140.34 [5.525]  | 156.85 [6.175]  | 150.0 [5.911]  | 386906418          | 386907618                 |
| 19              | 172.5 [6.79]  | 148.59 [5.850]  | 165.10 [6.500]  | 158.2 [6.231]  | 386906419          | 386907619                 |
| 20              | 180.7 [7.12]  | 156.85 [6.175]  | 173.36 [6.825]  | 166.5 [6.561]  | 386906420          | 386907620                 |
| 21              | 189.0 [7.44]  | 165.10 [6.500]  | 181.61 [7.150]  | 174.8 [6.881]  | 386906421          | 386907621                 |
| 22              | 197.2 [7.77]  | 173.36 [6.825]  | 189.87 [7.475]  | 183.0 [7.211]  | 386906422          | 386907622                 |
| 23              | 205.5 [8.09]  | 181.61 [7.150]  | 198.12 [7.800]  | 191.3 [7.531]  | 386906423          | 386907623                 |
| 24              | 213.7 [8.42]  | 189.87 [7.475]  | 206.38 [8.125]  | 199.5 [7.861]  | 386906424          | 386907624                 |
| 25              | 222.0 [8.74]  | 198.12 [7.800]  | 214.63 [8.450]  | 207.8 [8.181]  | 386906425          | 386907625                 |
| 26              | 230.3 [9.07]  | 206.38 [8.125]  | 222.89 [8.775]  | 216.0 [8.511]  | 386906426          | 386907626                 |
| 27              | 238.5 [9.39]  | 214.63 [8.450]  | 231.14 [9.100]  | 224.3 [8.831]  | 386906427          | 386907627                 |
| 28              | 246.8 [9.72]  | 222.89 [8.775]  | 239.40 [9.425]  | 232.5 [9.161]  | 386906428          | 386907628                 |
| 29              | 255.0 [10.04] | 231.14 [9.100]  | 247.65 [9.750]  | 240.8 [9.481]  | 386906429          | 386907629                 |
| 30              | 263.3 [10.37] | 239.40 [9.425]  | 255.91 [10.075] | 249.0 [9.811]  | 386906430          | 386907630                 |
| 31              | 271.5 [10.69] | 247.65 [9.750]  | 264.16 [10.400] | 257.3 [10.131] | 386906431          | 386907631                 |
| 32              | 279.8 [11.02] | 255.91 [10.075] | 272.42 [10.725] | 265.6 [10.461] | 386906432          | 386907632                 |



NOTES:

1. MATERIAL: SEE TABLE
2. FINISHES: SEE TABLE
3. PRODUCT SPECIFICATION: NOT REQUIRED
4. PACKAGING: NOT REQUIRED
5. MATES WITH: NONE
6. "XX" REFERS TO THE QUANTITY OF CIRCUITS.

| ITEM | QTY. | DESCRIPTION  | MATERIAL | FINISH             |
|------|------|--|----------|--------------------|
| 4    | XX   | SCREW, #6-32X.250, PAN HD, W/ SO. WASHER, -50 OPT. | STEEL    | ZN, CLEAR CHROMATE |
| 3    | XX   | SCREW, #6-32X.250, PAN HD, PHIL-SLOT               | BRASS    | NICKEL PLATE       |
| 2    | XX   | TERMINAL, PC                                       | BRASS    | TIN PLATE          |
| 1    | 1    | INSULATOR, SR, CS, MOLDED MTG.                     | VALOX    | BLACK              |

|  |  |   |  |   |  |   |
|--|--|---|--|---|--|---|
| EC NO. RELEASED<br>DRWIN: CLY<br>CH: K1<br>APPR: | DESCRIPTION<br>MAJOR<br>CRITICAL<br>SPC<br>S | QUALITY SYMBOLS   | GENERAL TOLERANCES: (UNLESS SPECIFIED)<br>mm      INCH<br>4 PLACES ±.0015<br>3 PLACES ±.038 ±.005<br>2 PLACES ±.13 ±.01<br>1 PLACE ±.3 | SCALE 2:1<br>DESIGN UNITS<br><input type="checkbox"/> mm <input checked="" type="checkbox"/> INCH | DRAWN BY & DATE<br>C. YORK 05-28-05<br>CHECKED BY & DATE<br>APPROVED BY & DATE | THIRD ANGLE PROJECTION<br>TITLE:<br>8.26mm [1.325"] SR BTS, CS, PC ASSY |
|  |  | PROJECT NO. - -<br>DIMENSIONS:<br><input checked="" type="checkbox"/> mm <input type="checkbox"/> INCH <input type="checkbox"/> mm ONLY |  | SHT REV<br>REVISE ON CAD ONLY   |  | MOLEX INCORPORATED  |
|  |  | CAD FILENAME<br>695XX   |  | MATERIAL NO.<br>SEE CHART   | DRAWING NO.<br>SD-38690-002  | SHEET NO.<br>1 OF 1   |
|  |  | DRAFT WHERE APPLICABLE MUST REMAIN WITHIN DIMENSIONS  |  |   |  |   |