

4

3

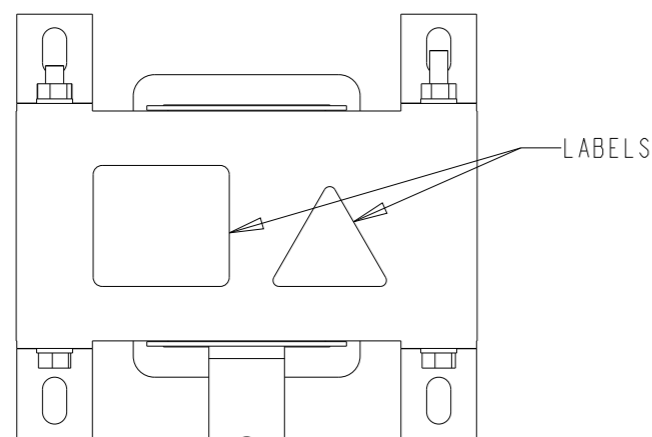
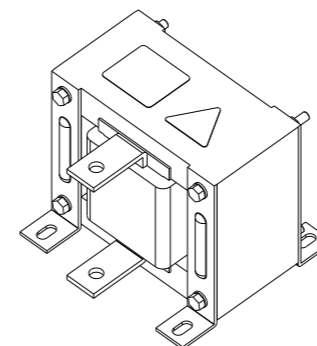
2

1

© 20 BY -

REVISIONS

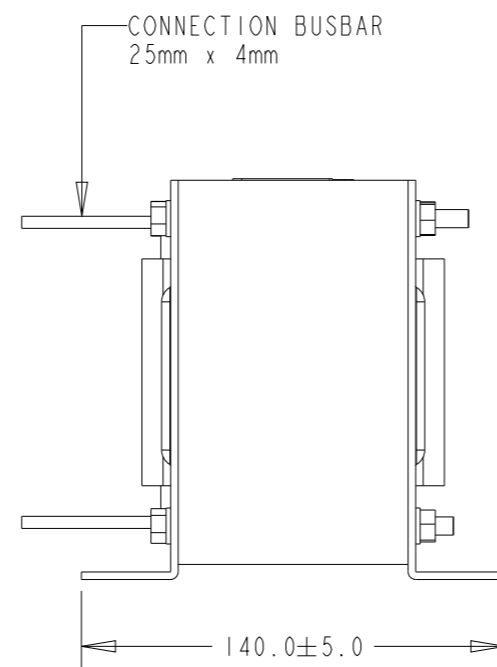
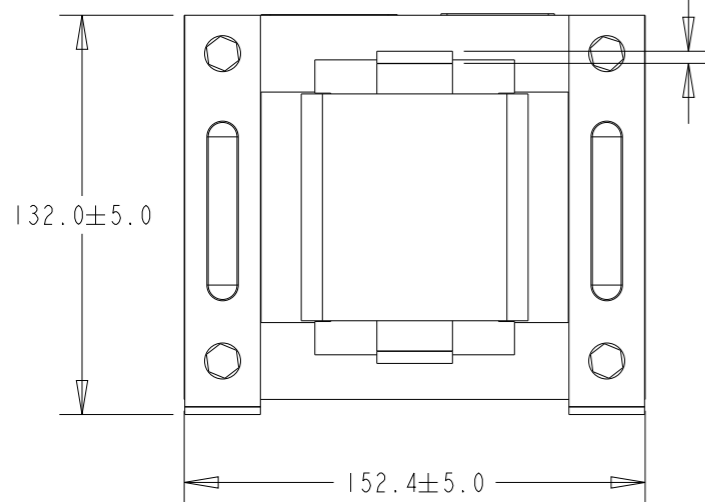
P	LTR	DESCRIPTION	DATE	DWN	APVD
	A	RELEASED FOR PRODUCTION	10FEB2023	DM	CB
	AI	ADDING PRODUCT DATA	07MAR2023	DM	CB



LABELS

25.0 REF.

4.0 REF.



NOMINAL OPERATING VOLTAGE (VAC)	230
RATED OPERATING VOLTAGE (VAC)	250
FREQUENCY (Hz)	50 / 60
RATED CURRENT (AMPS)	125
OP. TEMP. RANGE @ RATED CURRENT	-45°C to +45°C
RATED POWER @ 230VAC (kW)	25.88
RATED POWER @ 230VAC (HP)	34.68
IMPEDANCE @ 230VAC (%)	4
INDUCTANCE, NOMINAL (mH)	0.234
POWER OVERLOAD, 1 MINUTE EVERY HOUR	1.6
VOLTAGE WITHSTAND 1 MINUTE (kVAC)	2
POLLUTION DEGREE	PD2
COOLING	NATURAL
PROTECTION CLASS	IP00
INSULATION CLASS	N
STORAGE TEMPERATURE RANGE (°C)	-45°C to +100°C
CLIMATIC CATEGORY	45/100/21
DESIGN CORRESPONDING TO	EN61558-2-20, EN60076-6, UL61800-5-1

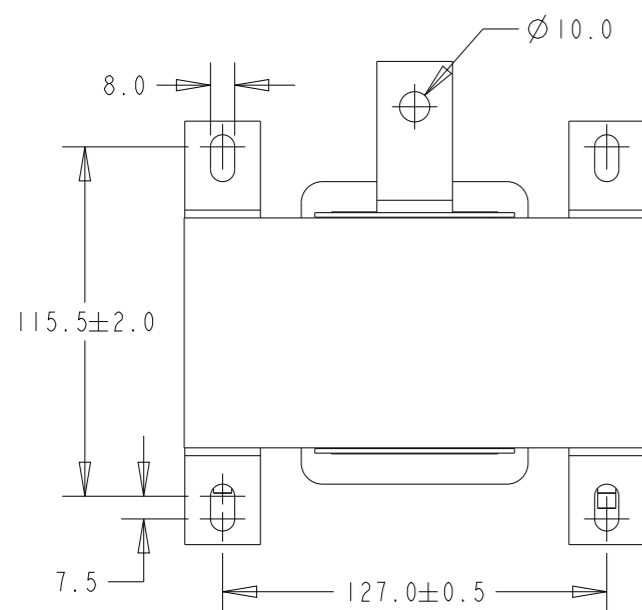
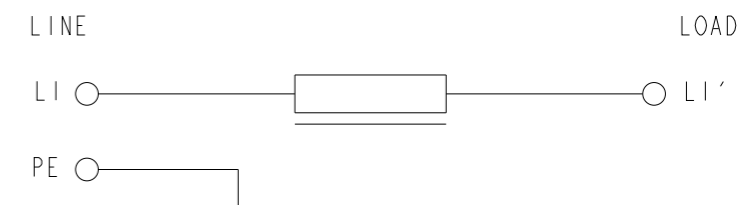
PRODUCT DESIGN NOTE

DESIGN IN ACCORDANCE WITH UL 508


DE-RATING FORMULAE FOR OPERATION ABOVE 45°C AMBIENT CONDITIONS:

$$I = I_n \sqrt{\frac{100 - T_{a\ new}}{100 - 45}}$$

TYPICAL CIRCUIT DIAGRAM



RoHS COMPLIANT

THIS DRAWING IS A CONTROLLED DOCUMENT.		DWN	C. BOLLE	05OCT2022	 TE Connectivity												
DIMENSIONS: mm		CHK	C. BOLLE	05OCT2022													
TOLERANCES UNLESS OTHERWISE SPECIFIED:		APVD	L. RAJ	05OCT2022													
<table border="1"> <tbody> <tr> <td>0 PLC</td> <td>±-</td> </tr> <tr> <td>1 PLC</td> <td>±0.1</td> </tr> <tr> <td>2 PLC</td> <td>±0.01</td> </tr> <tr> <td>3 PLC</td> <td>±0.001</td> </tr> <tr> <td>4 PLC</td> <td>±0.0001</td> </tr> <tr> <td>ANGLES</td> <td>±-</td> </tr> </tbody> </table>		0 PLC	±-	1 PLC	±0.1	2 PLC	±0.01	3 PLC	±0.001	4 PLC	±0.0001	ANGLES	±-	PRODUCT SPEC		NAME	
0 PLC	±-																
1 PLC	±0.1																
2 PLC	±0.01																
3 PLC	±0.001																
4 PLC	±0.0001																
ANGLES	±-																
MATERIAL		APPLICATION SPEC		RPO-1-125													
FINISH		WEIGHT		SINGLE LINE REACTOR													
-		-		SIZE	CAGE CODE												
-		-		A3	00779												
-		-		DRAWING NO													
-		-		C=1-2432408-7													
-		-		RESTRICTED TO													
-		-		-													
-		-		CUSTOMER DRAWING	SCALE												
-		-		1:2													
-		-		SHEET	OF												
-		-		1	1												
-		-		REV	AI												