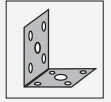




Mounting aid

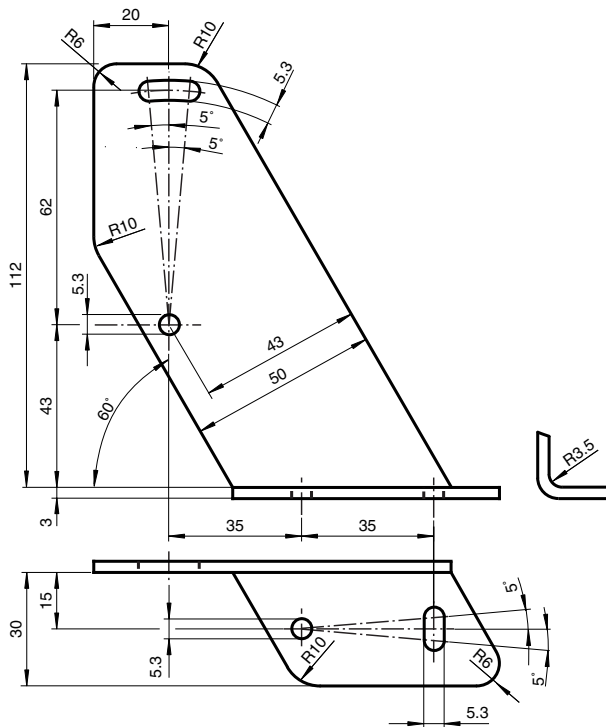
OMH-21

- Mounting bracket
- Simple and fast mounting



Mounting bracket

Dimensions



Technical Data

Mechanical specifications

Material	powder coated steel
Mass	approx. 175 g
Mounting	Mounting accessories included

Suitable series

Series	RL23 RL28 RL29
Safety Series	SLA20 SLA28 SL29, SLA29

Release date: 2020-03-20 Date of issue: 2020-06-30 Filename: 405584_eng.pdf

Refer to "General Notes Relating to Pepperl+Fuchs Product Information".

Pepperl+Fuchs Group
www.pepperl-fuchs.com

USA: +1 330 486 0001
fa-info@us.pepperl-fuchs.com

Germany: +49 621 776 1111
fa-info@de.pepperl-fuchs.com

Singapore: +65 6779 9091
fa-info@sg.pepperl-fuchs.com

pf PEPPERL+FUCHS