

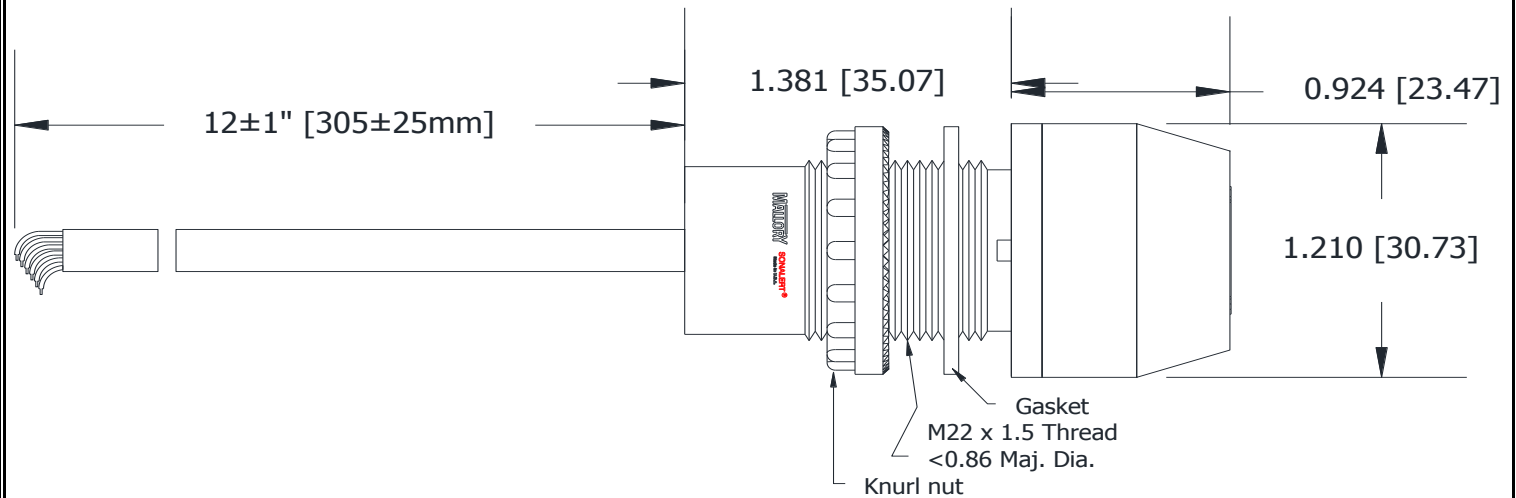


**Sales Outline Drawing**

**Specifications:**

|                         |  |          |
|-------------------------|--|----------|
| Sound Level Category    | Medium   |          |
| Mode of Operation       | Fast Pulse @ 10 PPS  |          |
| Voltage Rating          | 20 to 28 VAC/DC  |          |
| Frequency               | 3900 ± 500 Hz  |          |
| Loudness @ 1M           | 70 to 75 dB(A) Typ.  |          |
| Sound Current Draw      | 40mA MAX   |          |
| Stack Level             | BOTTOM   | TOP      |
| LED Color               | GREEN  | RED      |
| LED Current Draw        | 25mA max   | 60mA MAX |
| Total Max Current Draw  | 125mA MAX  |          |
| Housing Material        | 6/6 Nylon, Color: Black  |          |
| Top Cap / Lens Material | 6/6 Nylon, Color: Opaque White                                 |          |
| Storage Temperature     | -40° to +70° C   |          |
| Operating Temperature   | -30° to +60° C   |          |
| Mounting                | Recommended hole size is 22.5 mm.                              |          |
| Knurled Nut             | The max recommended torque is 10 in-lbs.                       |          |
| Cable                   | Gray, UL Style 21894, 300V, 105°C, 24AWG, Pb-Free Tinned Leads |          |
| Weight (Typical)        | 35 grams   |          |
| NEMA 12                 | Approved with use of included gasket.                          |          |
| Options                 | Please contact factory.  |          |

**Dimensions:** Inches (mm) **cUL Recognized** **ROHS Compliant**



**Connections:**

- SOUND BLACK wire and ORANGE wire to Power
- BOTTOM BROWN wire and GREEN wire to Power
- TOP BROWN wire and RED wire to Power