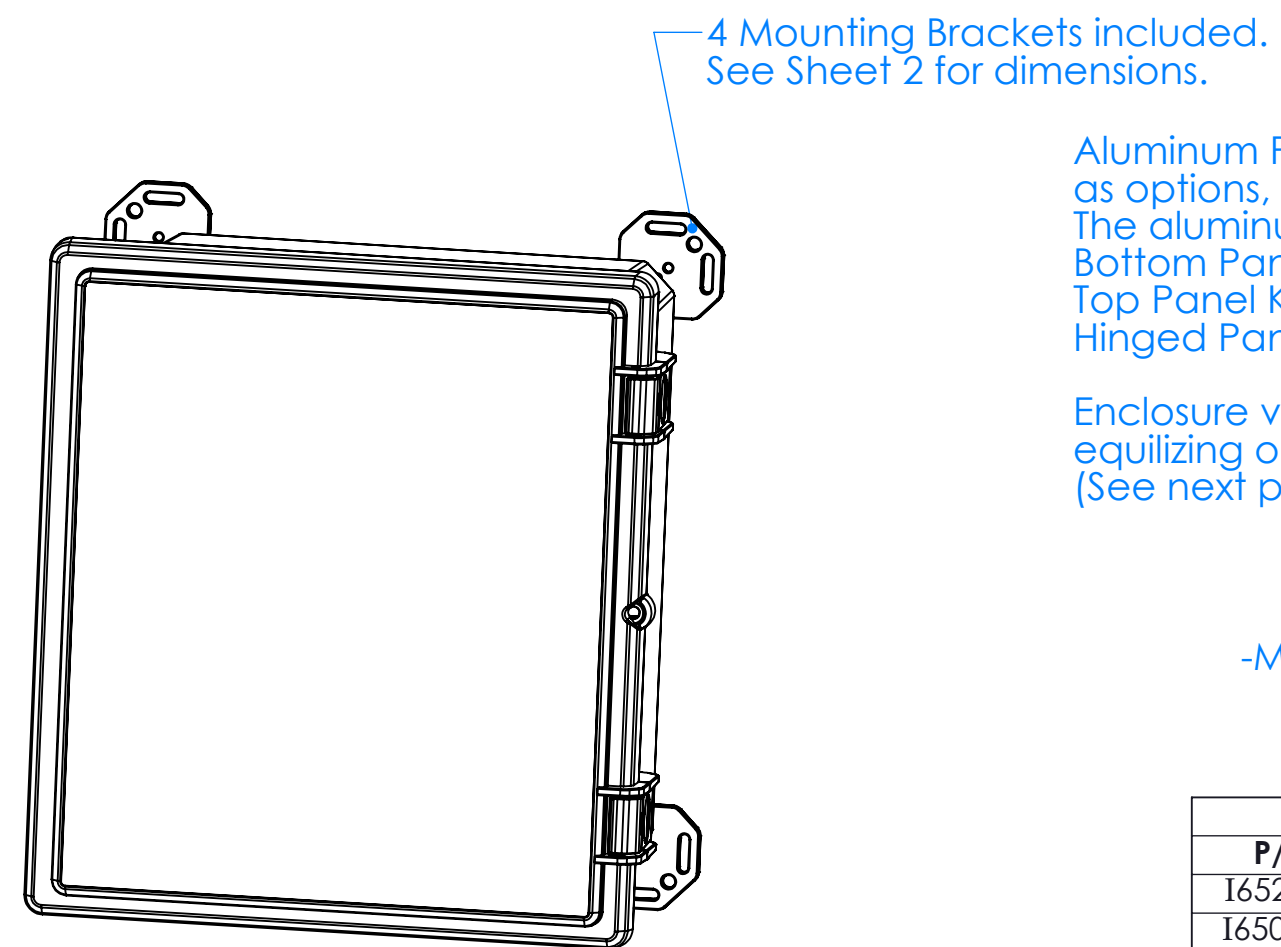
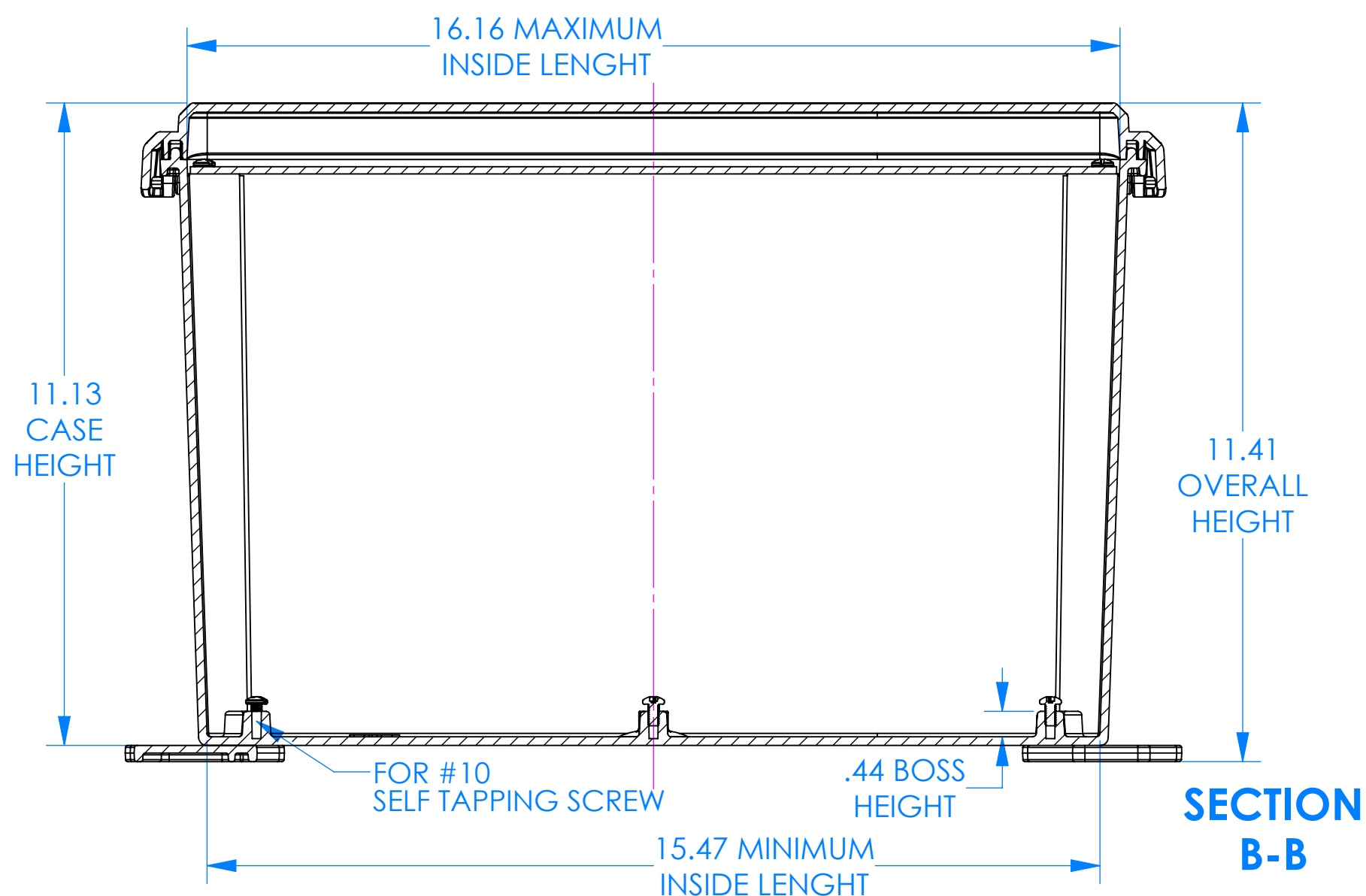
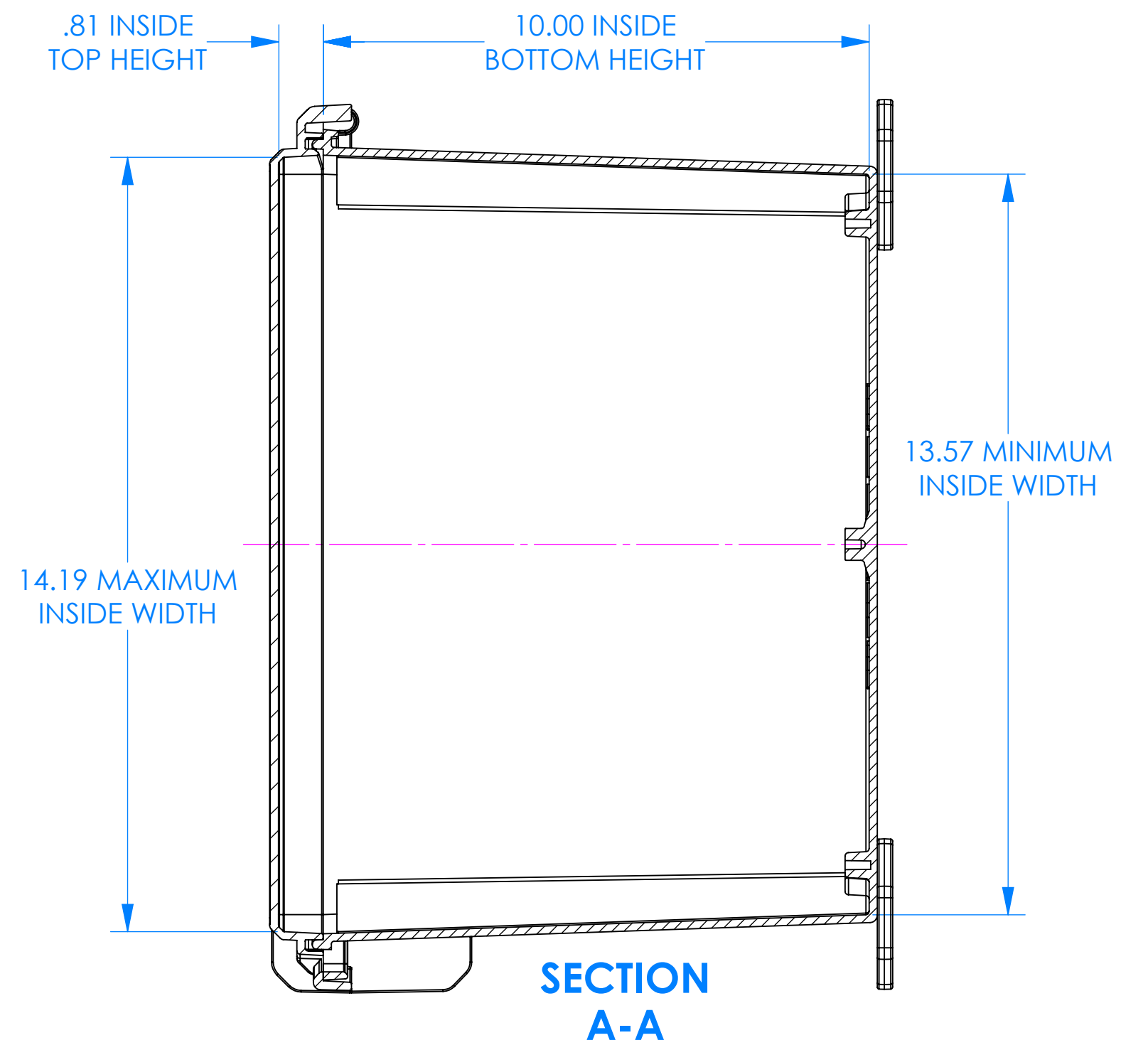
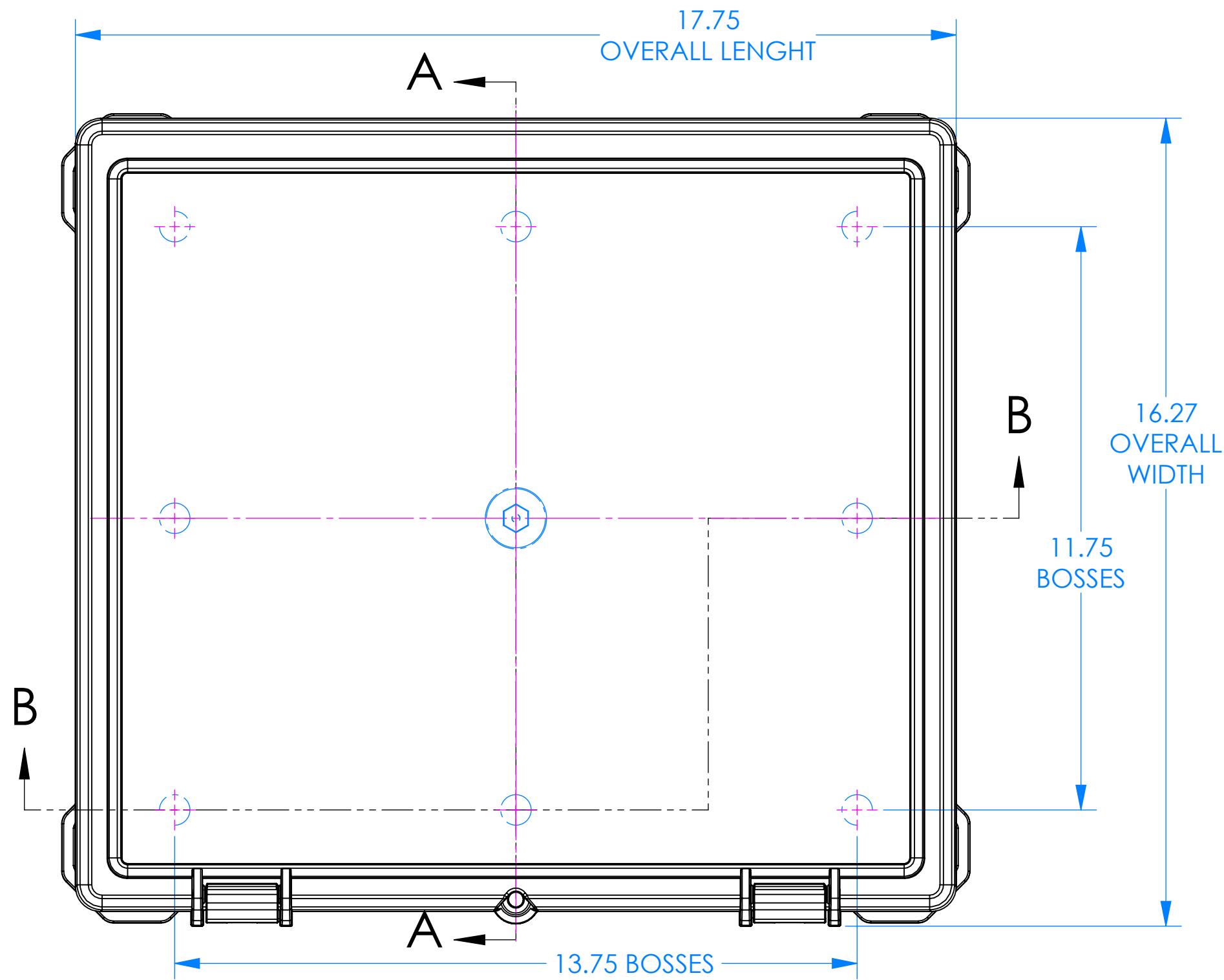


SERPAC I652HL

Electronic Enclosures

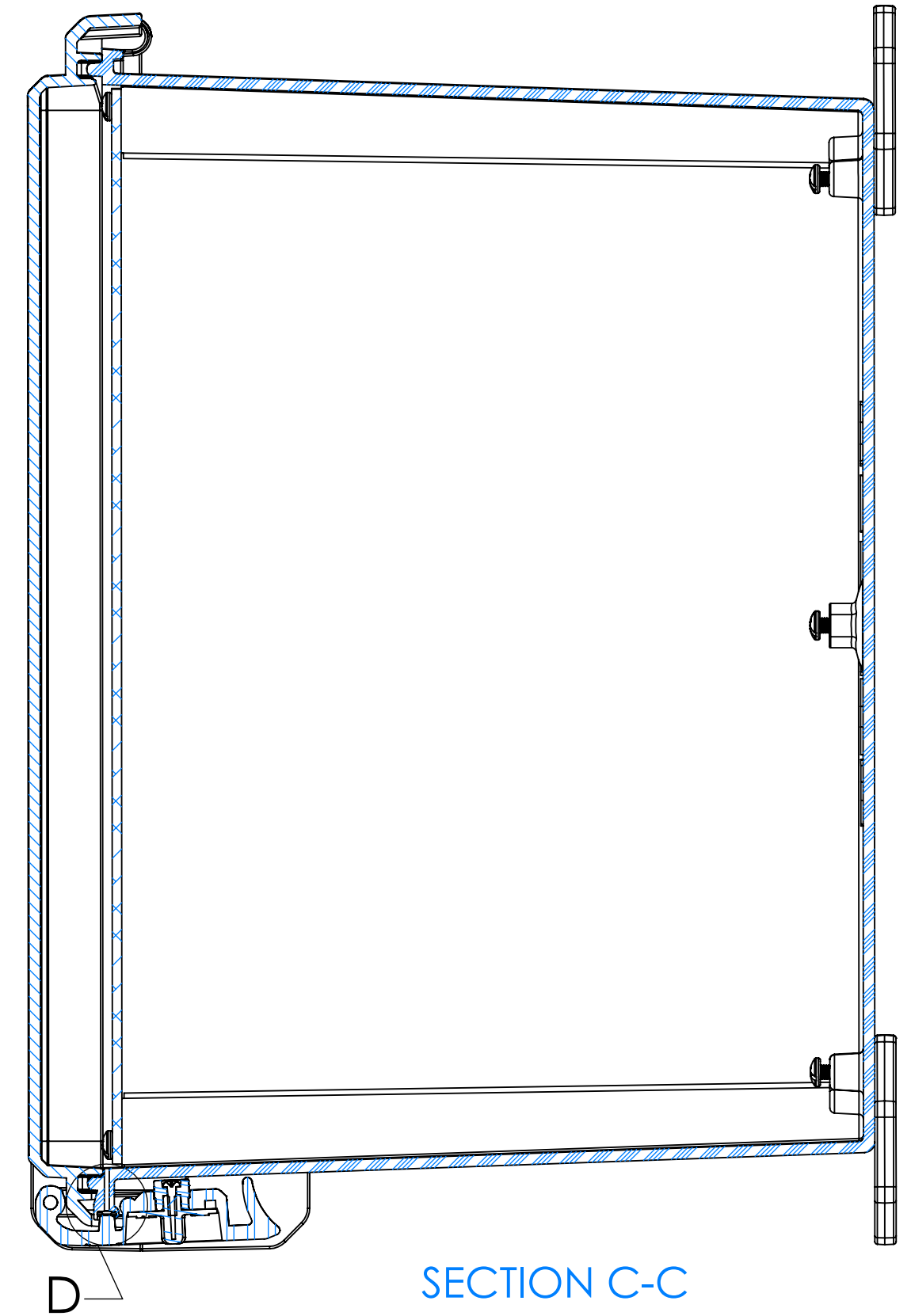
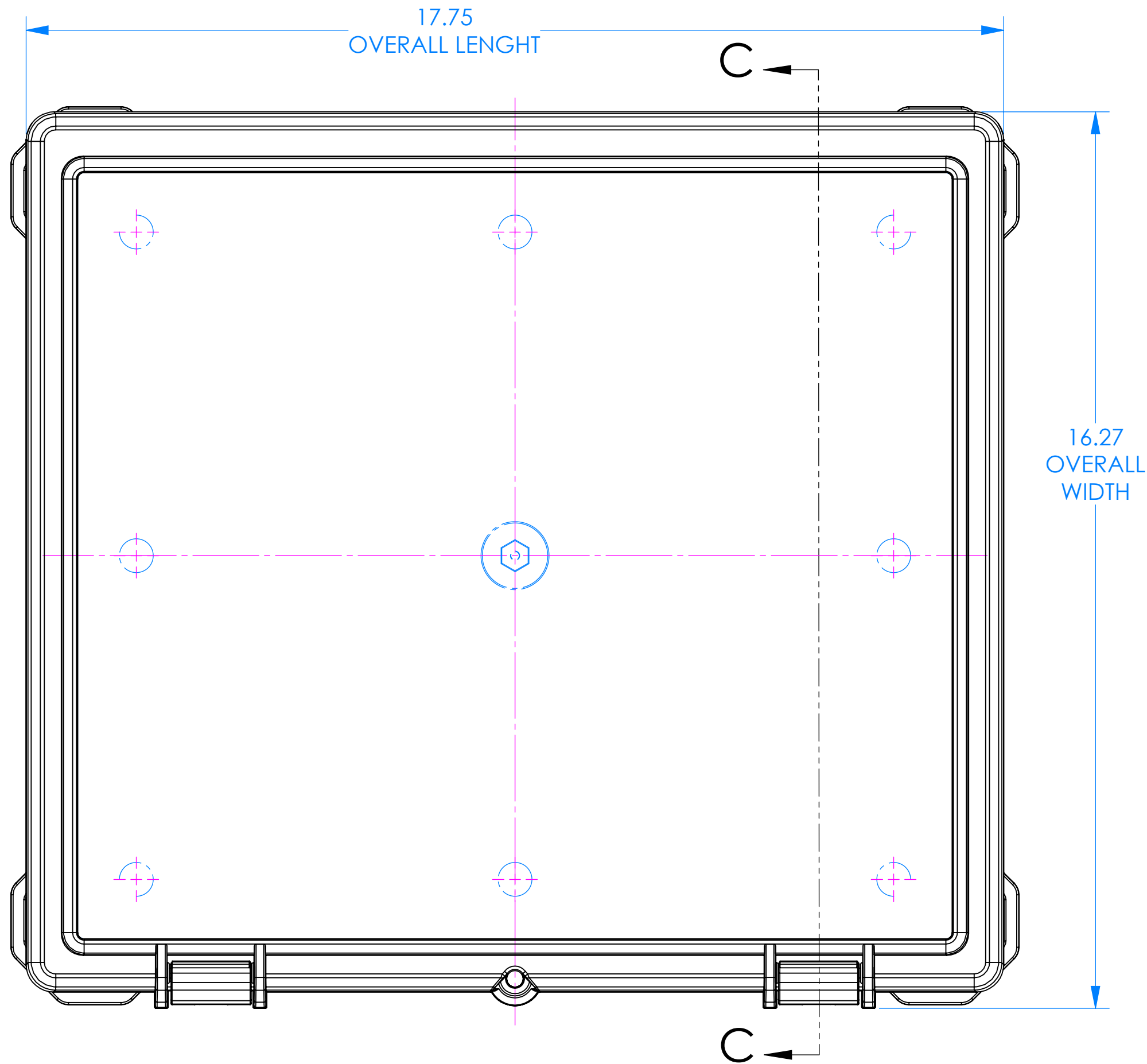


Aluminum Panel Kits are available as options, see sheets 3-5. The aluminum panel options are:
 Bottom Panel Kit p/n 73000B
 Top Panel Kit p/n 73040T
 Hinged Panel Kit p/n 73020TH

Enclosure venting / pressure equalizing option is available. (See next page)

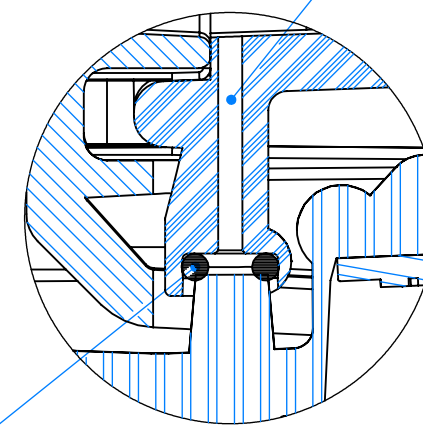
- UL listed to UL 508A 4/4X standard (UL file E519183).
- Material: UV stabilized Polycarbonate Flammability V0, F1 rated material.
- Watertight enclosure meets or exceed Nema 4 and or IP67.

| PARTS INCLUDED | | |
|----------------|------|-----------------------------|
| P/N | Qty. | Description |
| I652HLT | 1 | I652 Hinge Latch Top |
| I650HLB | 1 | I650 Hinge Latch Bottom |
| 8650 | 1 | 650 Perimeter O-ring |
| 7011PCM | 2 | Safety Latch for I-Series |
| 1355 | 4 | Corner Mounting Bracket |
| 6028 | 9 | SS #10 X 5/8" Pan H/L Screw |



DETAIL D

O-RING
pn. 8000

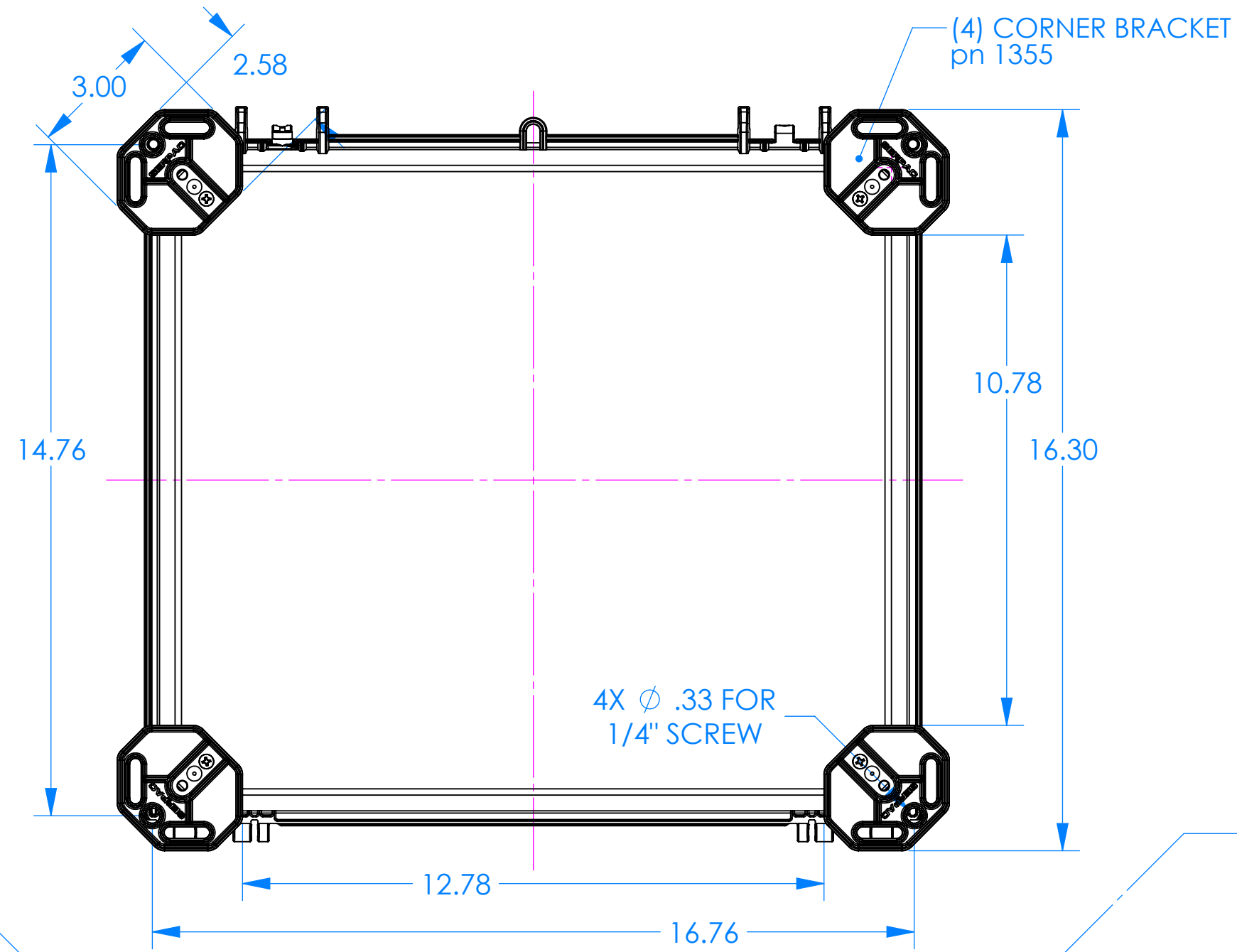


DRILLED HOLE
1/16" DIA

For Venting option
drill 1/16" ϕ hole as shown
and use pn 8000 for sealing.

SERPAC I652HL Mounting Bracket Dimensions

Electronic Enclosures



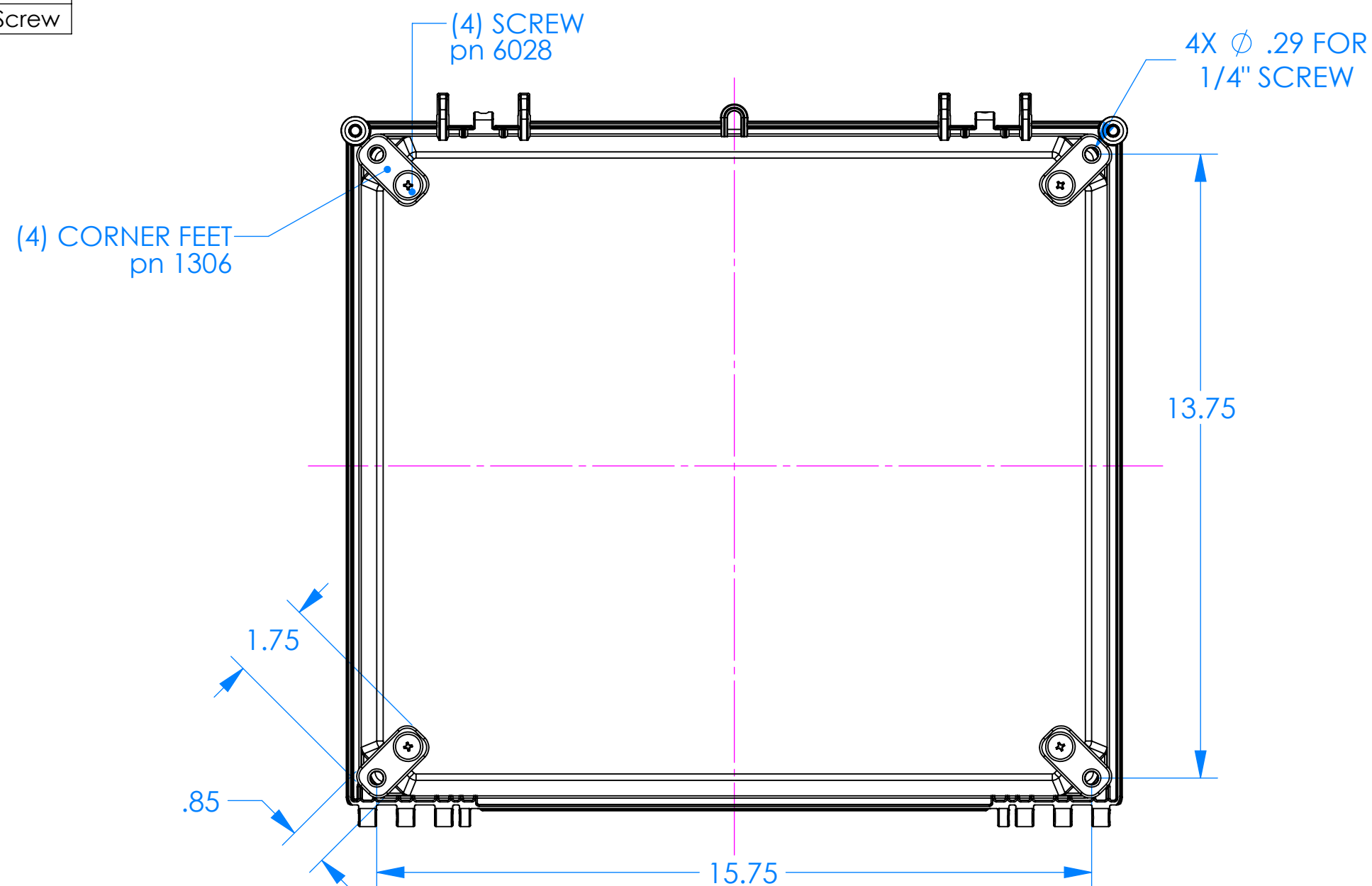
INCLUDED (4)
1355 CORNER BRACKETS KIT

| Parts Included in kit number 1355 | | |
|-----------------------------------|------|-----------------------------------|
| P/N | Qty. | Description |
| 1355 | 4 | Mounting Corner Bracket |
| 6028 | 4 | SS #10 X 5/8" Pan Combo H/L Screw |

TOP & LATCHES REMOVED
FOR CLARITY FROM ALL VIEWS

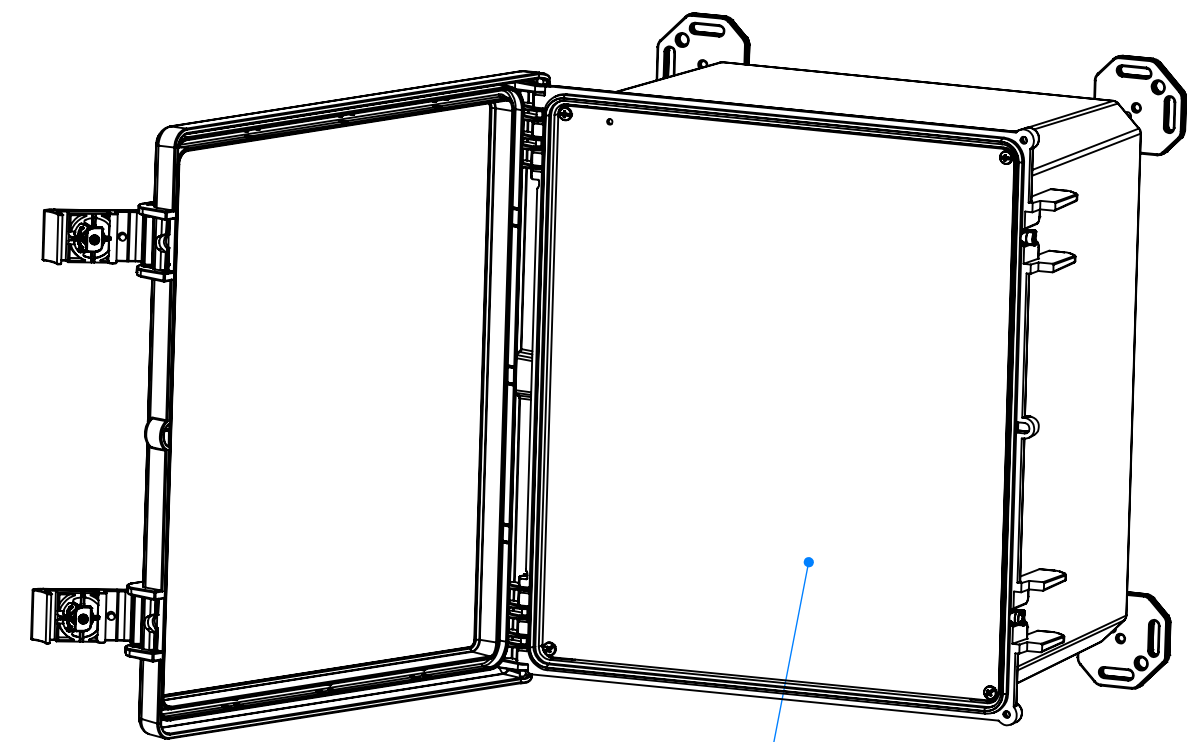
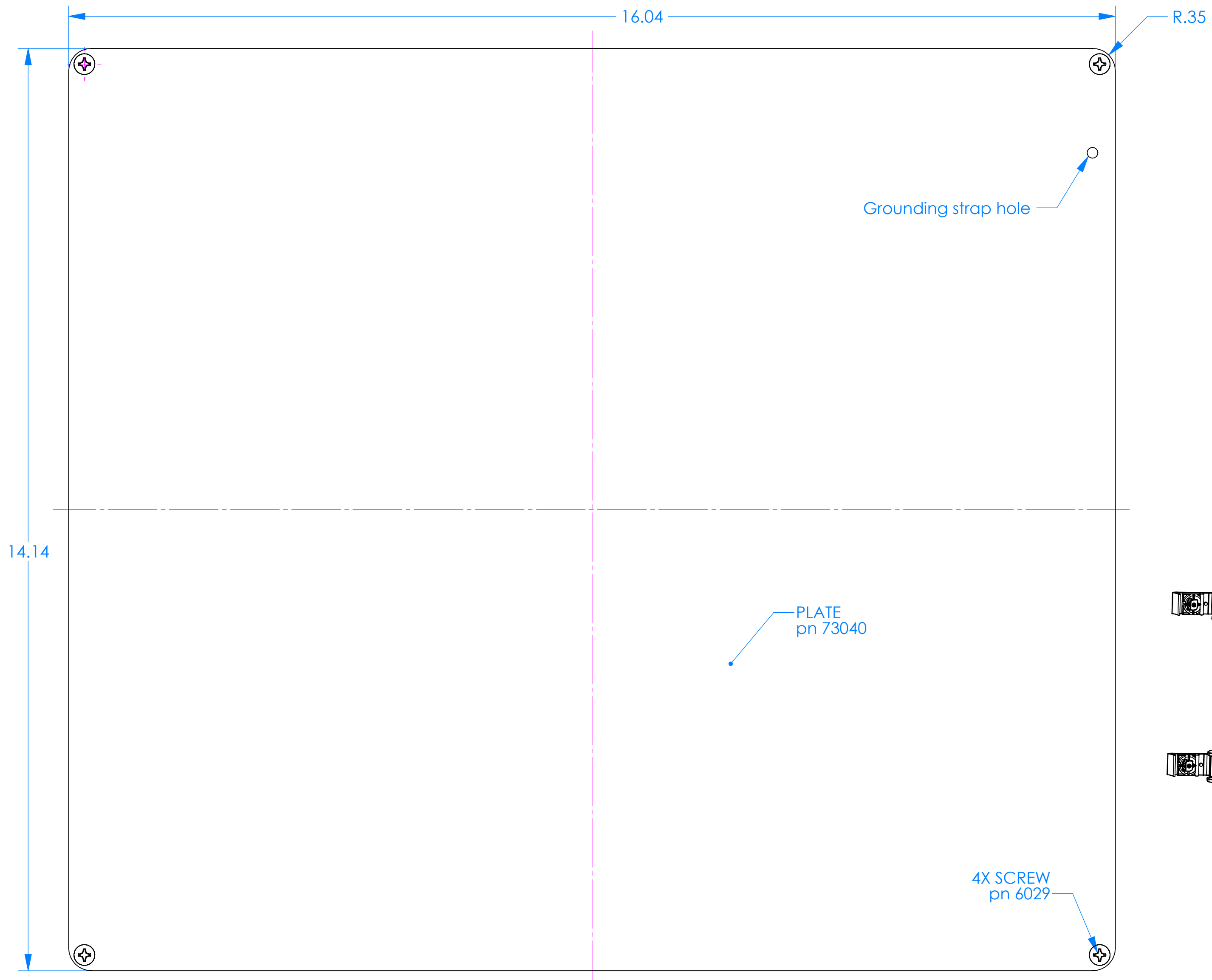
OPTIONAL 1306 CORNER FEET KIT

| Parts Included in kit number 1306 | | |
|-----------------------------------|------|-----------------------------------|
| P/N | Qty. | Description |
| 1306 | 4 | Mounting Corner Feet |
| 6028 | 4 | SS #10 X 5/8" Pan Combo H/L Screw |



SERPAC 7300T Top Panel Kit for I652HL

Electronic Enclosures

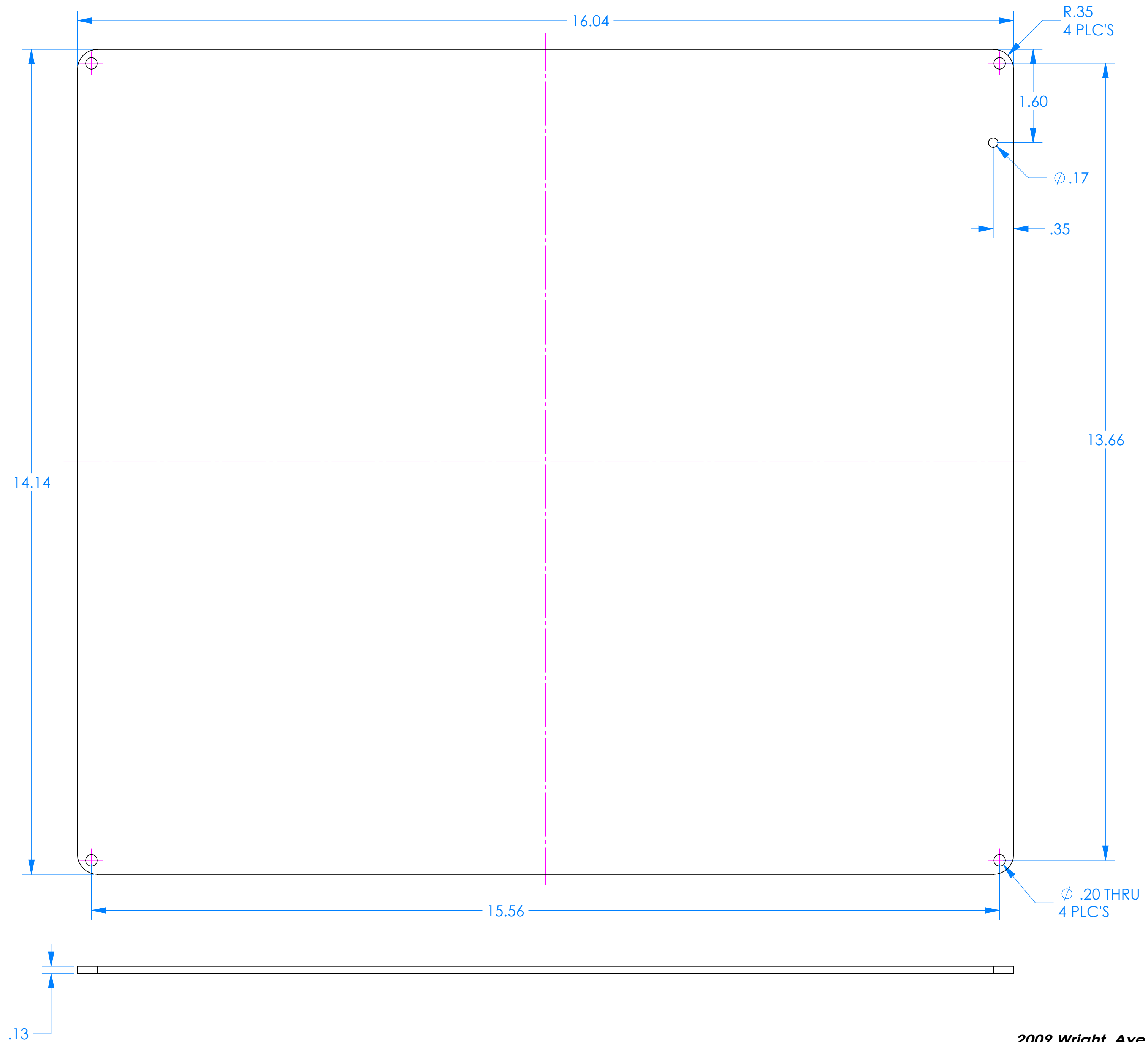


Optional kit
pn 7300T

| Parts Included in kit number 7300T | | |
|------------------------------------|------|----------------------------|
| P/N | Qty. | Description |
| 73040 | 1 | Top Aluminum Panel |
| 6029 | 4 | SS #10 X 3/8" Pan HL Screw |

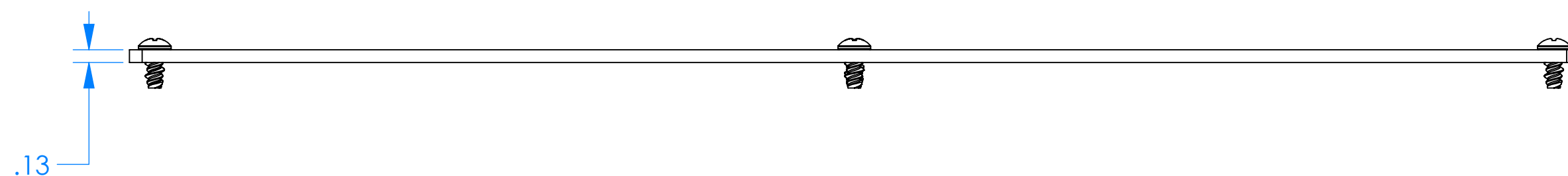
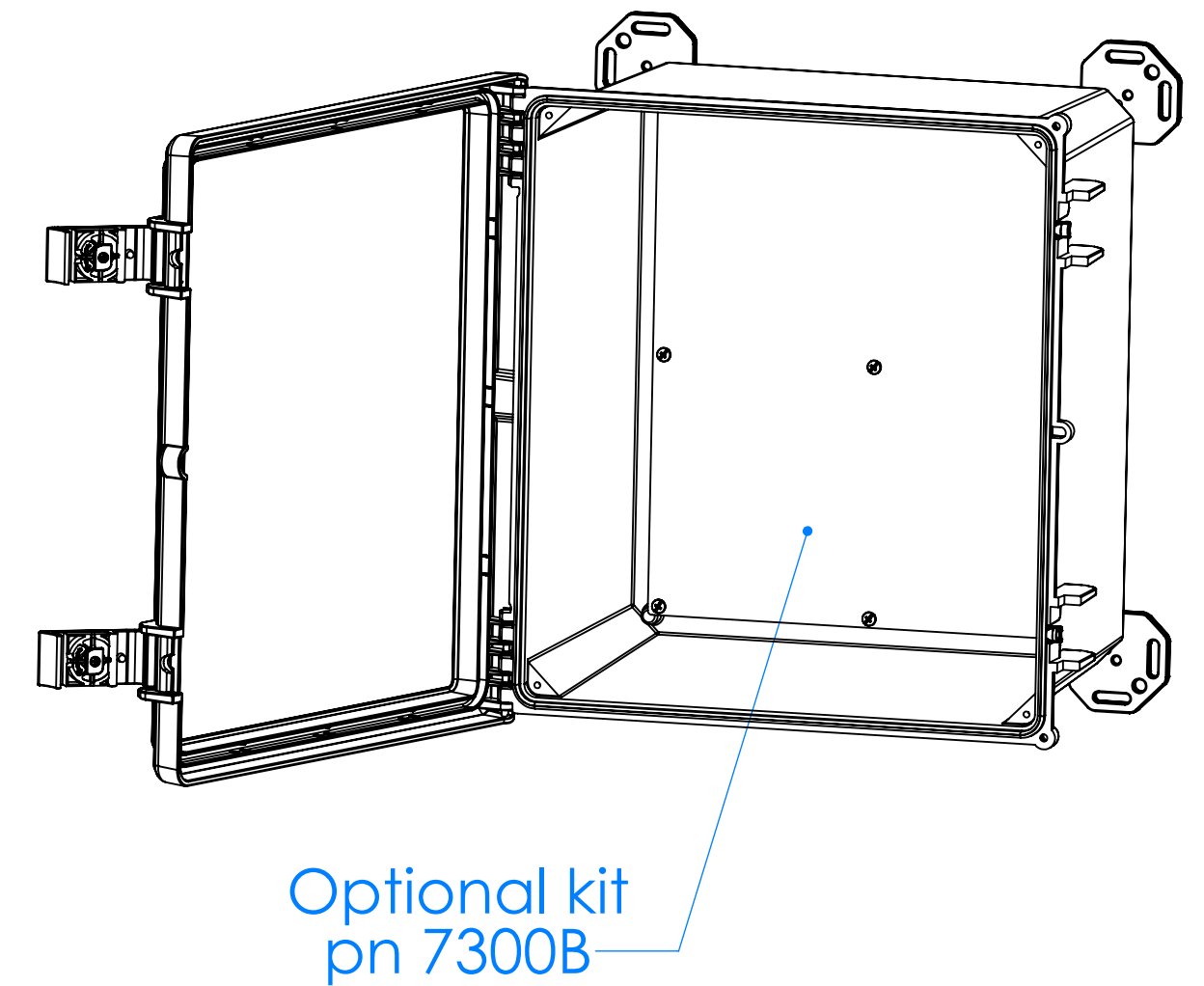
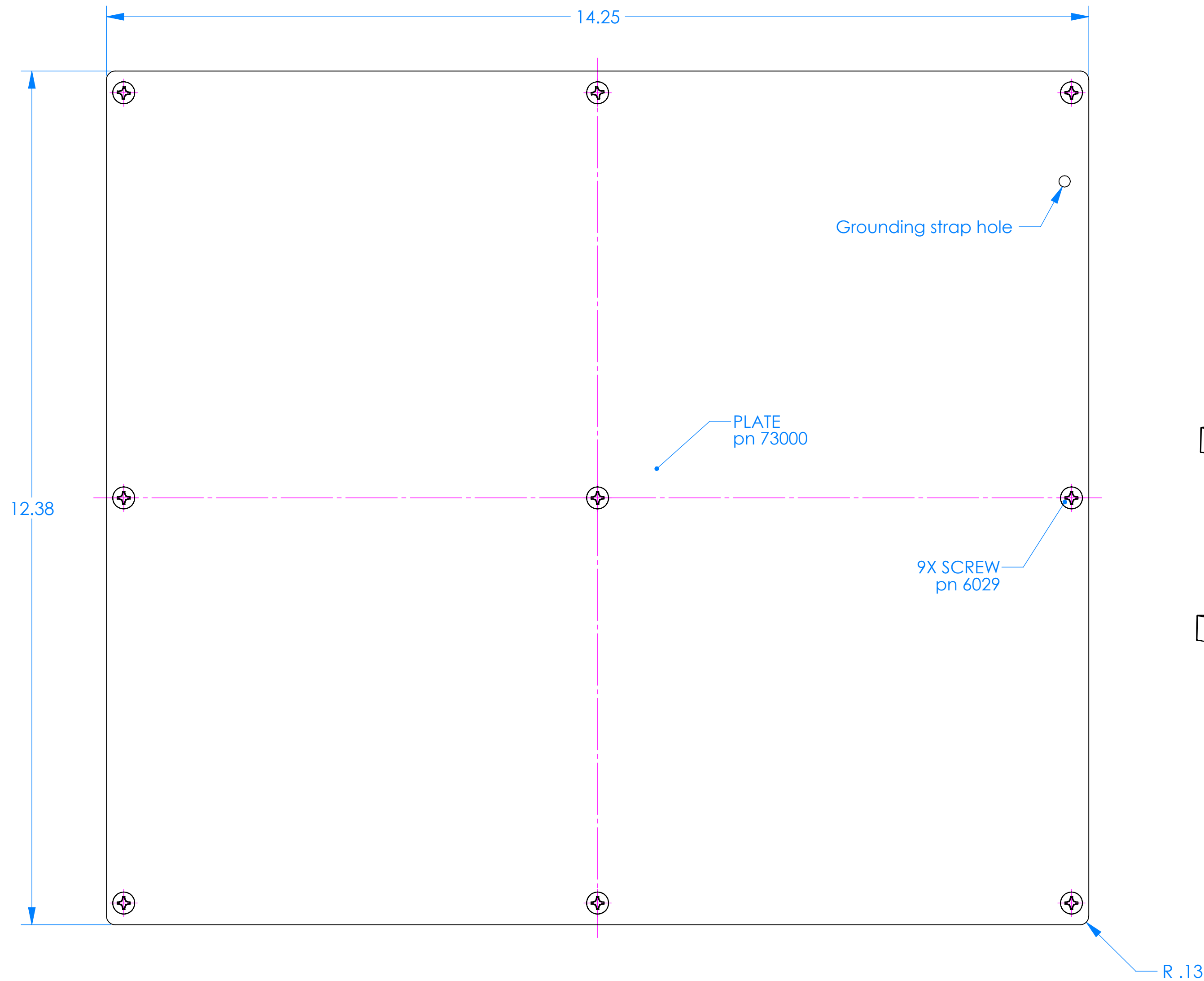
SERPAC 73040 AP-1 Top Alum Panel for I652HL

Electronic Enclosures

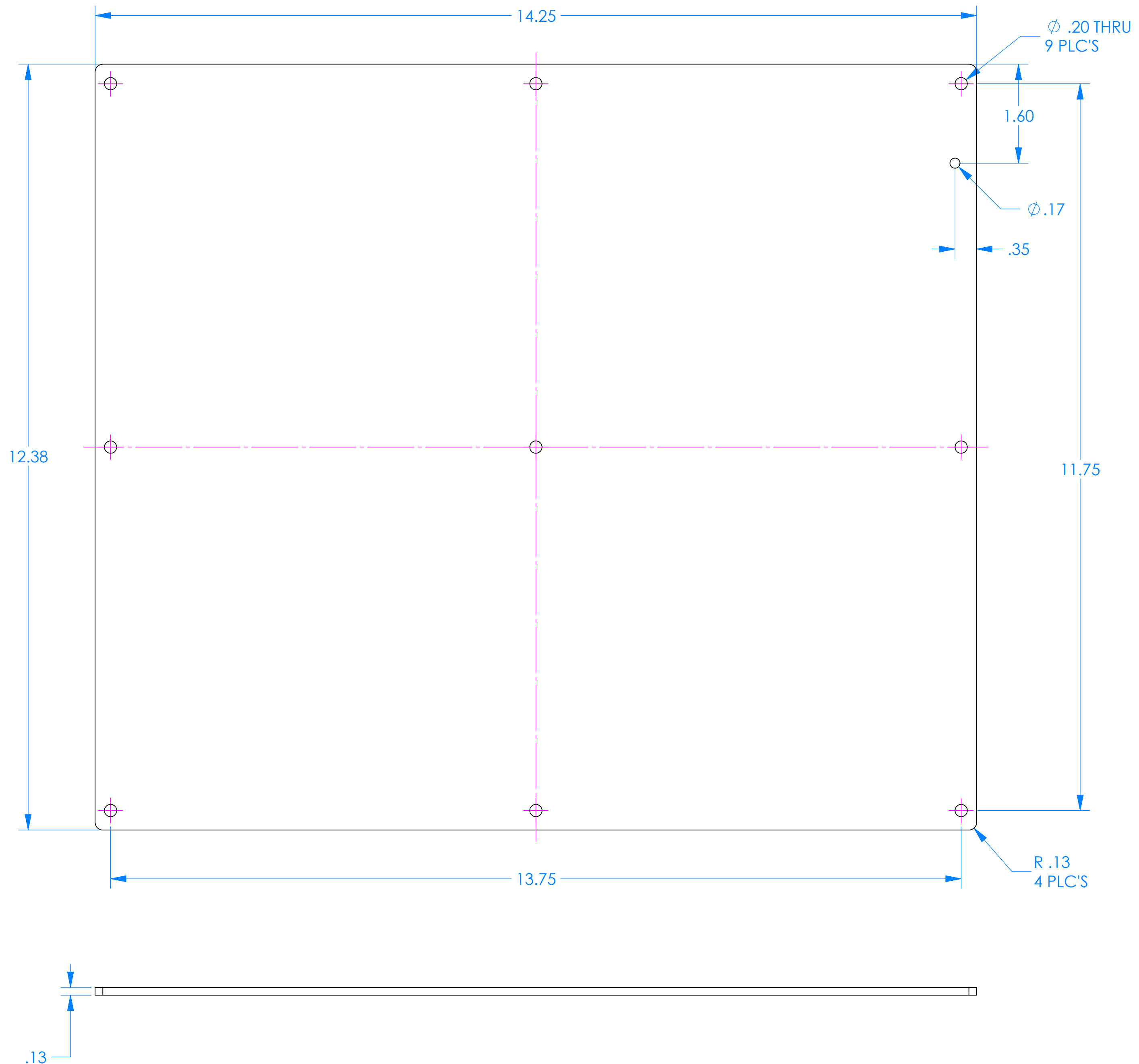


SERPAC 7300B Bottom Panel Kit for I652HL

Electronic Enclosures

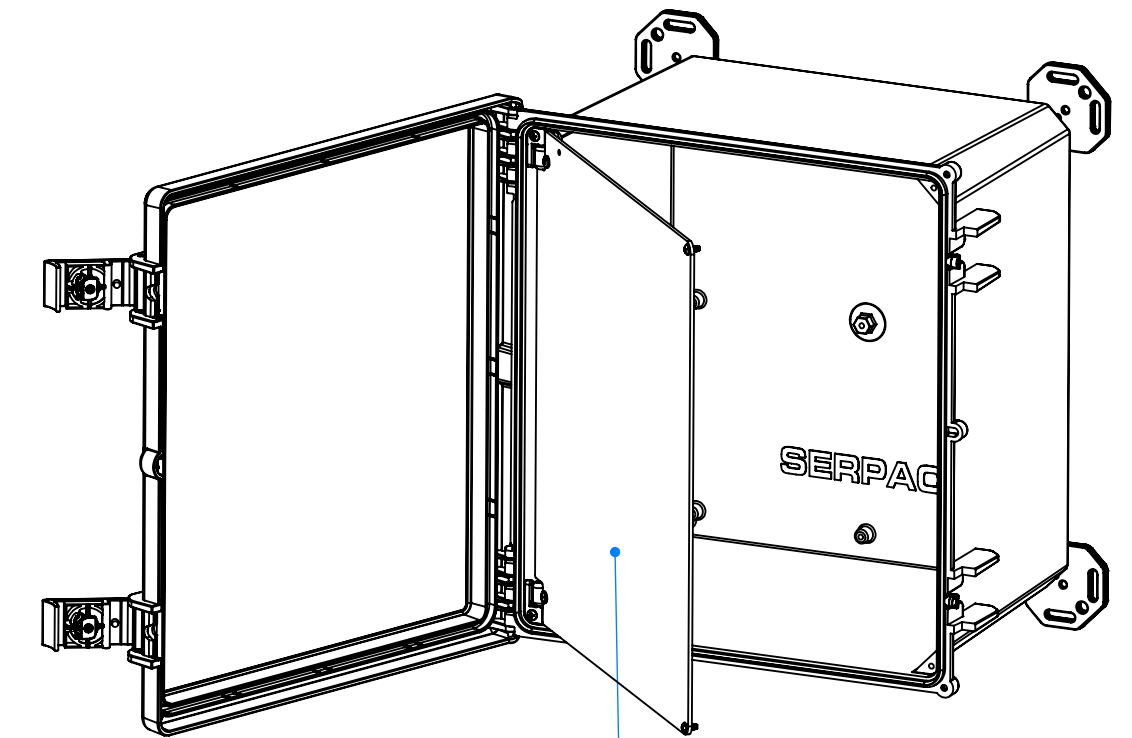
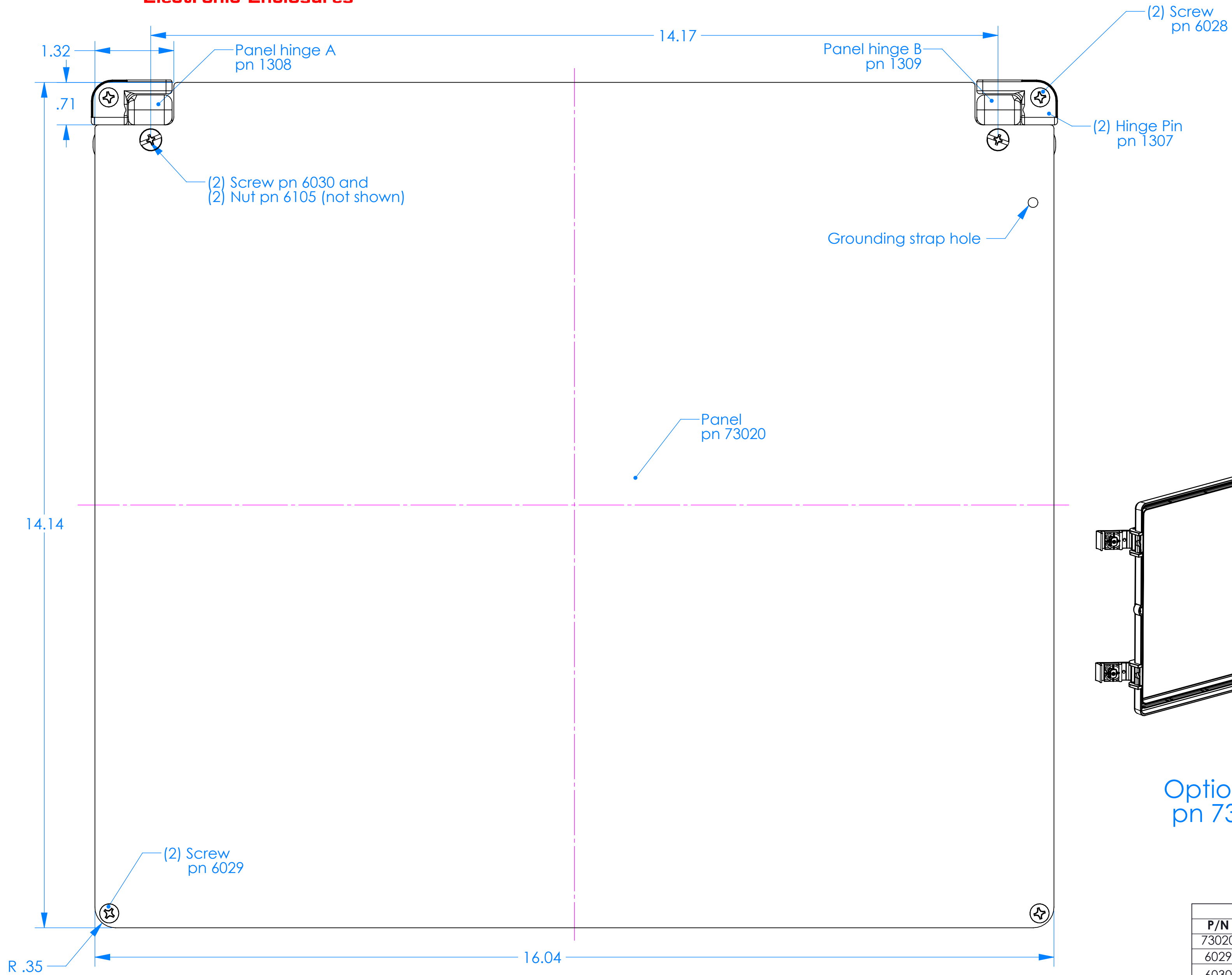


| Parts Included in kit number 7300B | | |
|------------------------------------|------|----------------------------|
| P/N | Qty. | Description |
| 73000 | 1 | Bottom Aluminum Panel |
| 6029 | 9 | SS #10 X 3/8" Pan HL Screw |



SERPAC 7300TH Hinged Top Panel Kit for I652HL

Electronic Enclosures



Optional kit
pn 7300TH

| Parts Included in kit number 7300TH | | |
|-------------------------------------|------|-----------------------------------|
| P/N | Qty. | Description |
| 73020 | 1 | Hinged Top Aluminum Panel |
| 6029 | 2 | SS #10 X 3/8" Pan HL Screw |
| 6030 | 2 | SS #10 X 3/8" Pan Combo H/L Screw |
| 6105 | 2 | SS #10-32 X1/8" Nut |
| 6028 | 2 | SS #10 X 5/8" PH HD H/L Screw |
| 1307 | 2 | Hinge Pin for Hinge Panel |
| 1308 | 1 | Hinge A for Hinge Panel |
| 1309 | 1 | Hinge B for Hinge Panel |

SERPAC 73020 AP-2 Hinged Alum Panel for I652HL

Electronic Enclosures

