

CTLQ1210CF Series

From 1.0 μ H to 560 μ H



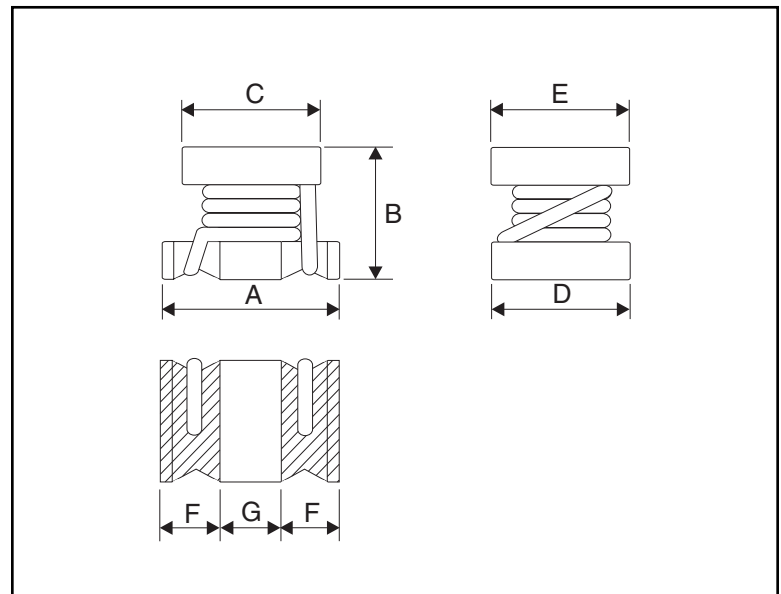
SPECIFICATIONS

Part numbers indicate available tolerance.
K = $\pm 10\%$, M = $\pm 20\%$

Part Number	Inductance (μ H)	L Test Freq. (_Hz)	DCR Max. (Ω)	SRF Min. (MHz)	Rated DC Max. (mA)
CTLQ1210CF-1R0M	1.0	1M	0.12	96	800
CTLQ1210CF-2R2M	2.2	1M	0.18	64	600
CTLQ1210CF-4R7M	4.7	1M	0.28	43	450
CTLQ1210CF-100K	10	1M	0.60	26	300
CTLQ1210CF-220K	22	1M	0.95	19	250
CTLQ1210CF-470K	47	1M	1.80	15	170
CTLQ1210CF-101K	100	1M	5.00	10	100
CTLQ1210CF-221K	220	1M	12	6.8	70
CTLQ1210CF-331K	330	1M	14	5.6	60
CTLQ1210CF-391K	390	1M	23	5.0	60
CTLQ1210CF-471K	470	1K	26	5.0	60
CTLQ1210CF-561K	560	1K	30	5.0	60

PHYSICAL DIMENSIONS

Size	A	B	C	D	E	F	G
						Min.	Min.
mm	3.2 \pm 0.3	2.0 \pm 0.2	2.5 \pm 0.2	2.5 \pm 0.2	2.5 \pm 0.2	0.7	0.7
inches	0.13 \pm 0.01	0.08 \pm 0.008	0.10 \pm 0.008	0.10 \pm 0.008	0.10 \pm 0.008	0.03	0.03



CHARACTERISTICS

Description: SMD wire-wound chip inductors

Applications: Power supplies for OA equipment, LCD televisions, PC notebooks, portable communication equipment, DC/DC converters, etc.

Operating Temperature: -40°C to +85°C

Inductance Tolerance: K = $\pm 10\%$ & M = $\pm 20\%$

Packaging: Tape & Reel

Miscellaneous: **RoHS Compliant**

Testing: Tested on an HP4285A @ specified frequency

Pads: Soft copper and pre-tinned

Additional Information: Additional electrical & physical information available upon request

Samples available. See website for ordering information