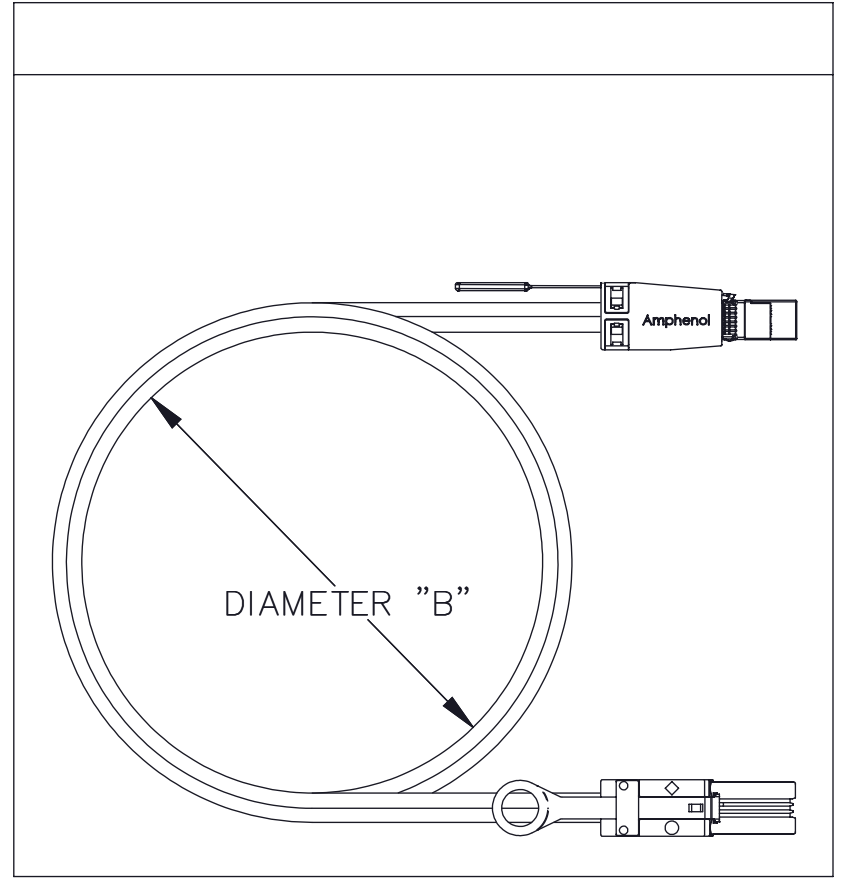
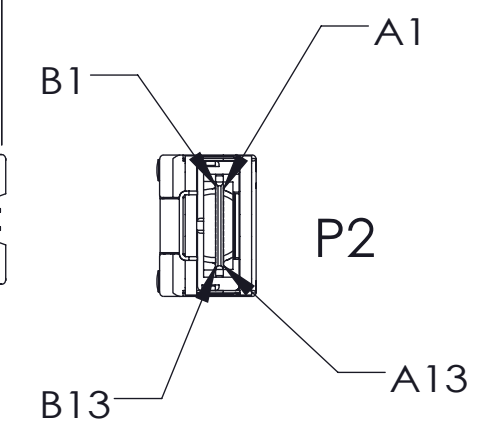
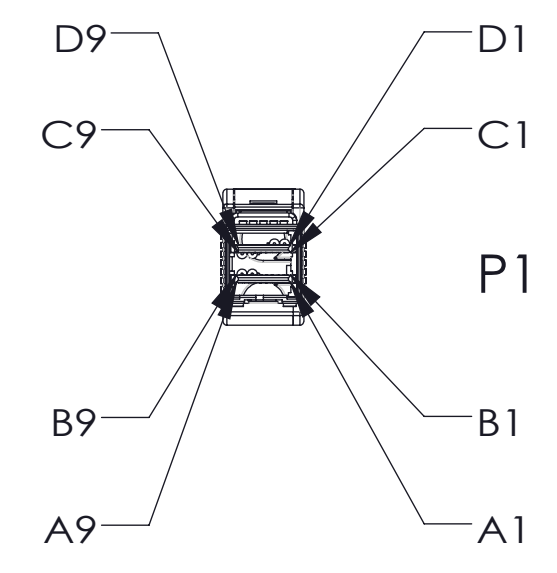
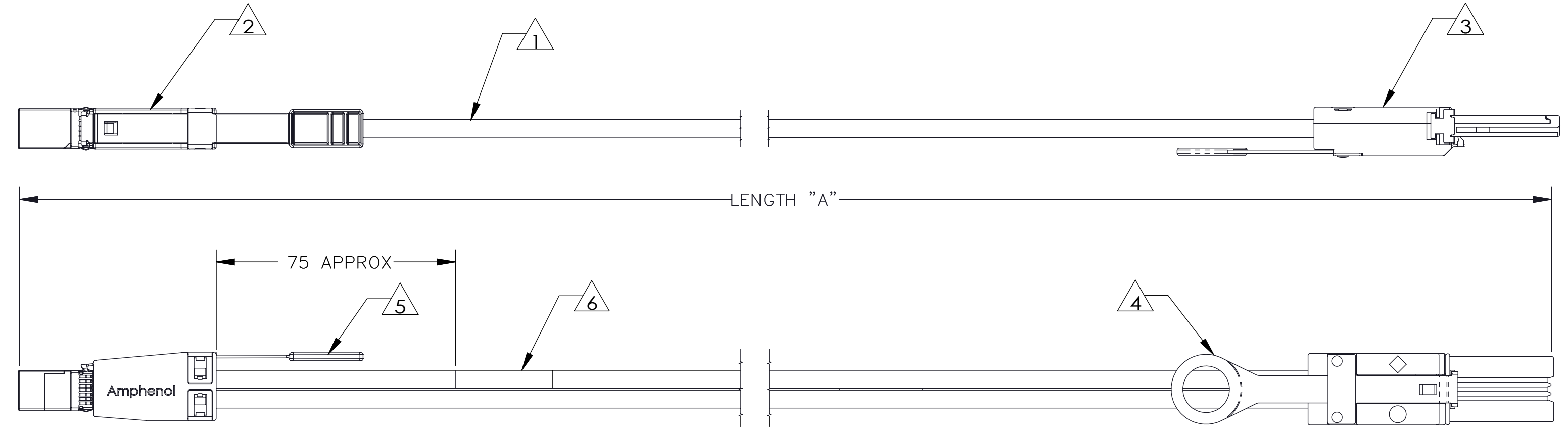


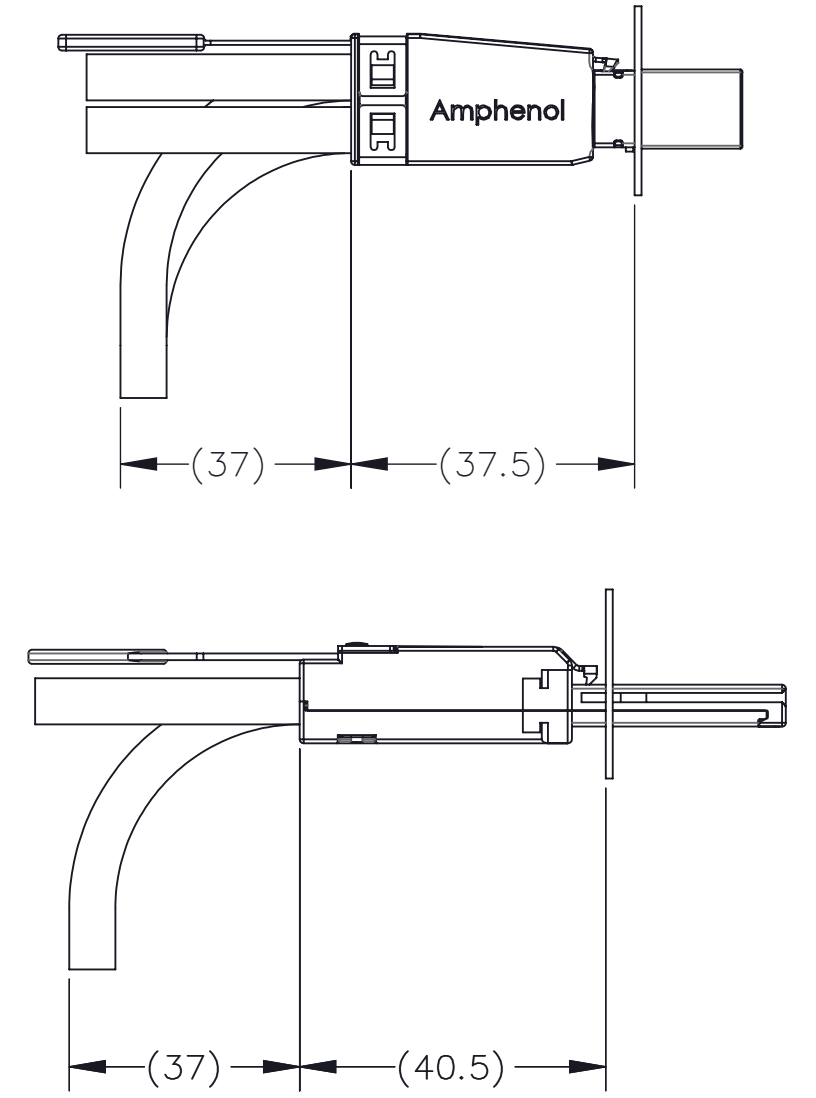
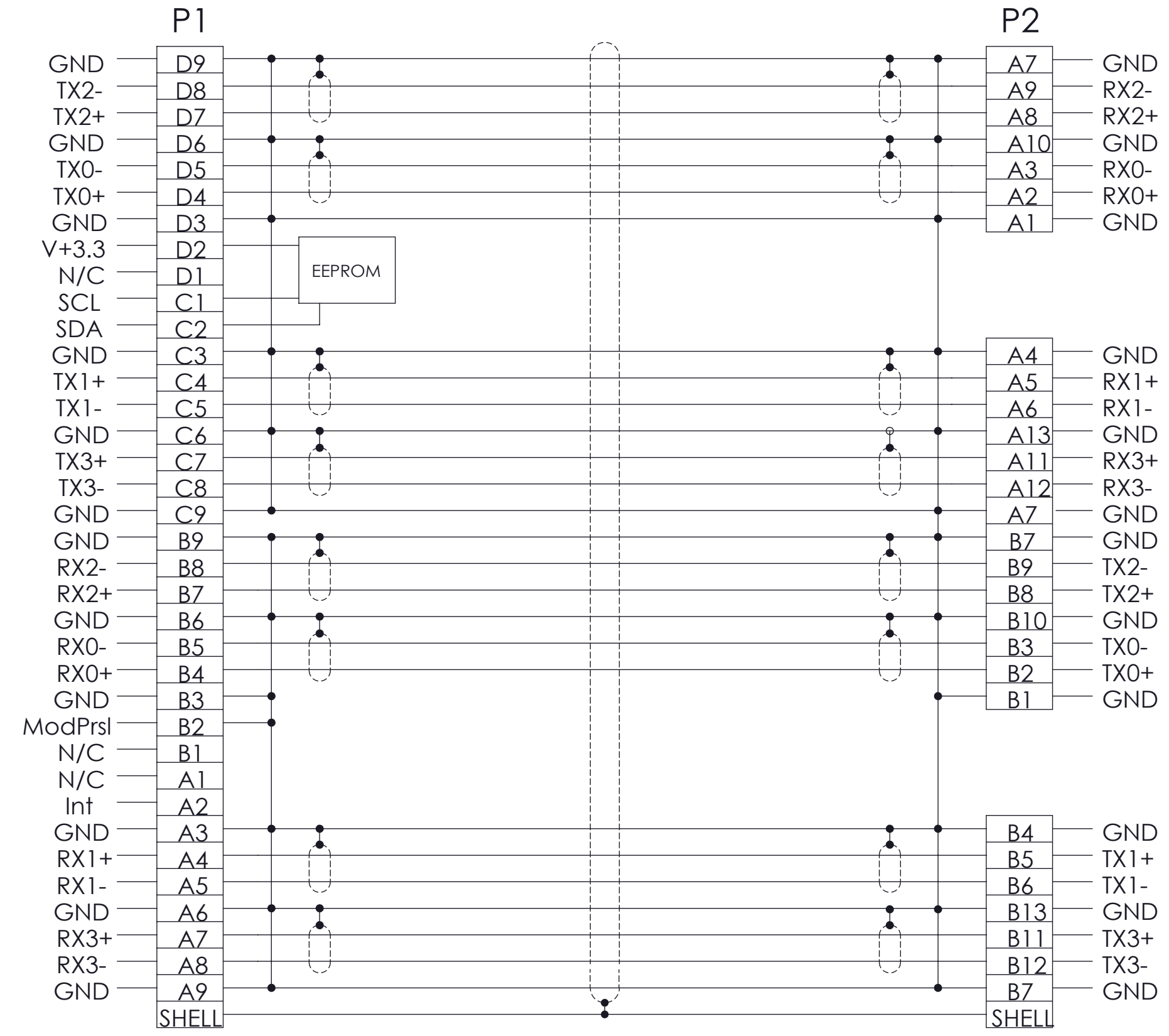
AHSP P/N	LENGTH "A"	ACD P/N	DIAMETER "B"	DESCRIPTION
NBCECB-C102	2000 ±50	CS-SASMINTOHD-002	7.0" ±1.0"	MINISAS TO MINISAS HD 28AWG, 2M
NBCECB-C103	3000 ±75	CS-SASMINTOHD-003	7.0" ±1.0"	MINISAS TO MINISAS HD 28AWG, 3M

ZONE	REV.	ECN	DESCRIPTION	BY	DATE	APPROVED
	A	DCAE-18121801	NEW RELEASE	DC	12/18/2018	DC
	B	RGAO-21010301	ADDED NEW P/N -C103 AND ACD P/N TO TABLE 1. ADDED CE STAMP TO SHEET 1. REMOVED ITEM#7 FROM TABLE 2 AND FRONT VIEW. UPDATED ITEM#6 DESCRIPTION IN TABLE 2.	N.Z	12/15/2020	F.HONG
	C	RGAO-21020308	ADDED DESCRIPTION COLUMN TO TABLE 1.	N.ZENG	2/4/2021	F.HONG

ITEM No.	DESCRIPTION
1	28 AWG, 4-PR, PVC BLACK, UL CL2, 75°C
2	PLUG, HDMSAS - REFERENCE SFF-8644
3	PLUG, MSAS - REFERENCE SFF-8088
4	LANYARD, MSAS, BLUE
5	LANYARD, HDMSAS, BLUE
6	LABEL, WRAPPED-AHSP P/N & REV, DATE CODE, COUNTRY OF ORIGIN AND SERIAL NUMBER



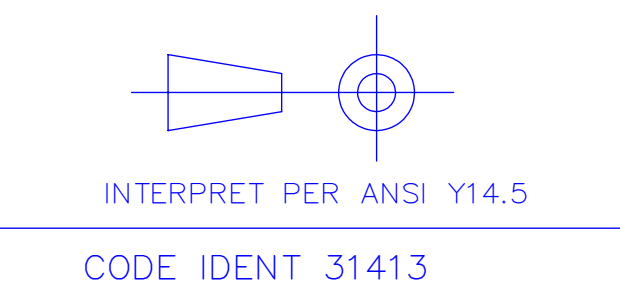
BAGGED CABLE ASSY
NOT TO SCALE



RADIUS FROM FACEPLATE

1. THIS DRAWING IS RESERVED FOR AMPHENOL CABLES ON DEMAND (NO CUSTOMER DRAWING).
2. CABLE ASSEMBLIES SHALL BE TESTED PER AMPHENOL SPECIFICATIONS AND PROCEDURES.
3. CABLE ASSEMBLIES SHALL BE COMPLIANT TO SAS-2.1 SPECIFICATION.
4. CABLE ASSEMBLIES, COMPONENTS AND SUB-COMPONENTS SHALL BE COMPLIANT TO EU DIRECTIVE 2011/65/EU-RoHS2.
5. CABLE ASSEMBLIES MUST MEET SHIELDING EFFECTIVENESS REQUIREMENTS OF 35dB MINIMUM FROM 1-10GHz AND 20dB MINIMUM FROM 10-18GHz.
6. PACKAGE COMPLETED ASSEMBLY IN AN APPROPRIATELY SIZED ESD BAG.
7. COIL AND BAG CABLE ASSEMBLY APPROXIMATELY AS SHOWN.
8. UL LABEL MUST BE ON SHIPPING CARTON PER SUBJECT 764 OF THE UL COMPONENT WIRING HARNESS (ZPFW2) FILE #E86140. CSA LABEL MUST BE ON SHIPPING CARTON.
9. EPROM CONTENT SHALL BE COMPLIANT WITH SFF-8636 AND SFF-8024 FOR SAS 3.0.

NOTES: UNLESS OTHERWISE SPECIFIED



TOLERANCES	DWN	CHK	APVD	PC	DATE
0	± 0.50				12/18/2018
.0	± 0.20				12/18/2018
.00	± 0.13				12/18/2018
ANGLES	± 1.0°				

UNLESS OTHERWISE SPECIFIED
DIMENSIONS ARE IN MILLIMETERS

Amphenol AHSP	
A Division of Amphenol Corporation	
200 Innovative Way, Suite 201, Nashua, N.H. 03062 (603) 879-3000	
TITLE CABLE ASSEMBLY, HDMSAS/MSAS, PASSIVE, 100Ω, 6Gbps, 28 AWG	
PART NO. SEE TABLE 1	REV N/A
DRAWING NO. C-NBCECB-C199	REV C
SIZE D	SCALE 1:1
SHEET 1	OF 1

C-NBCECB-C199