



1X2 Dual Port RJ45 Connector

AR12-4423

- 10/100/1000 Base-T Gigabit LAN and other Ethernet Applications
- RJ45 jack cavity conforms to FCC rules and regulations Part 68, SUB Part F
- Standard Operating Temp: 0°C to 70°C
- Available in other Circuit Designs

Electrical Specifications @ 25°C

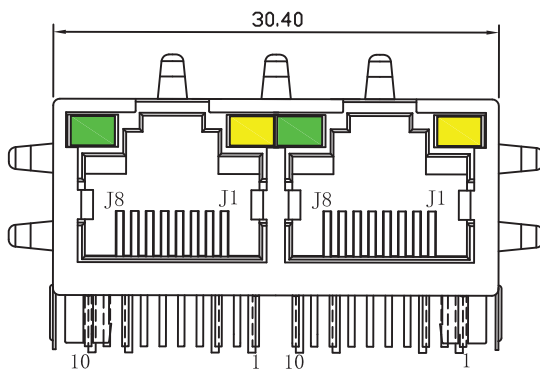
Part Number	OCL(μH Min) @ 100kHz, 0.1V With 8mA DC Bias	Turns Ratio chip: cable (±2%)	Insertion Loss (dB Max)		Return Loss (dB Min)	
			0.3-100MHz	100-120MHz	0.5-40MHz	40-100MHz
AR12-4423	350	TX / RX = 1CT:1CT	-0.8	-1.2	-18	-12+20Log (f/80MHz)

Electrical Specifications @ 25°C

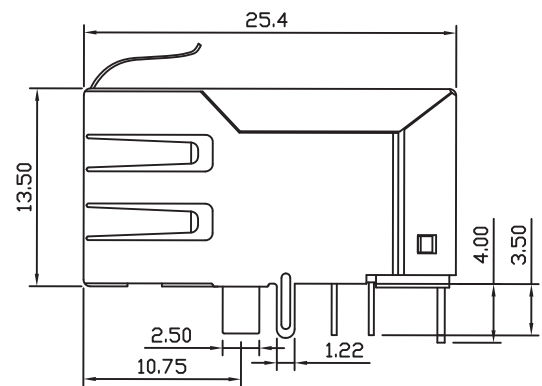
Cross Talk (dB Min) 0.1-100MHz -12+20Log (f/100MHz)	CMR (dB Min) 0.3-100MHz -30	CDMR (dB Min) 0.3-100MHz -30	HI-POT 1500VAC for 60 seconds

All specifications subject to change without notice.

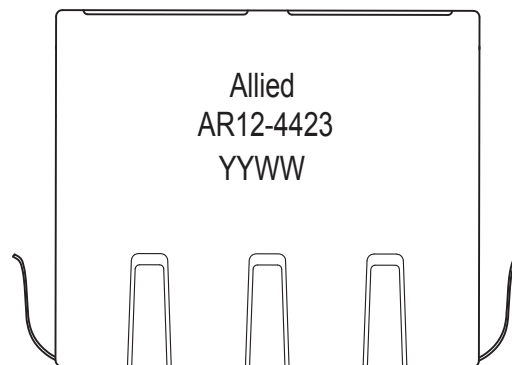
MECHANICAL



Front Side View



Left Side View



Top Side View

