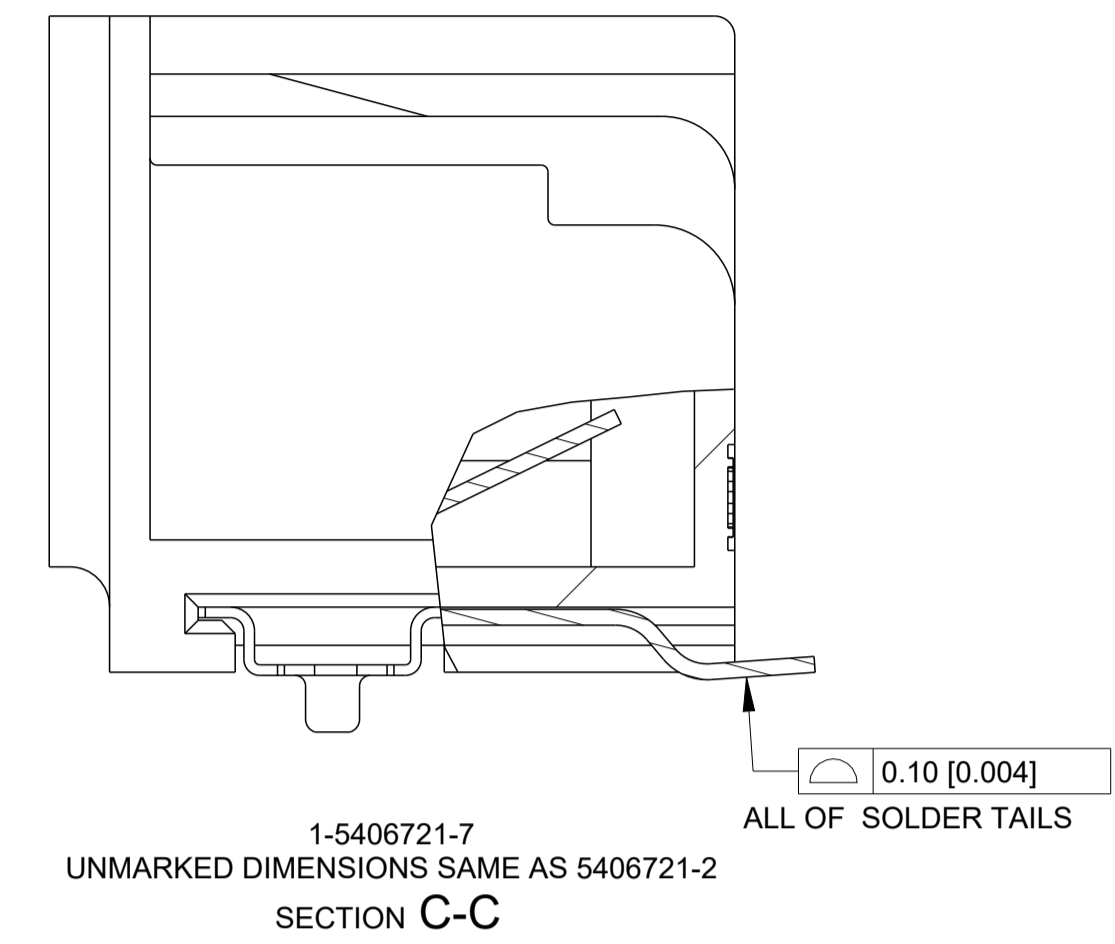
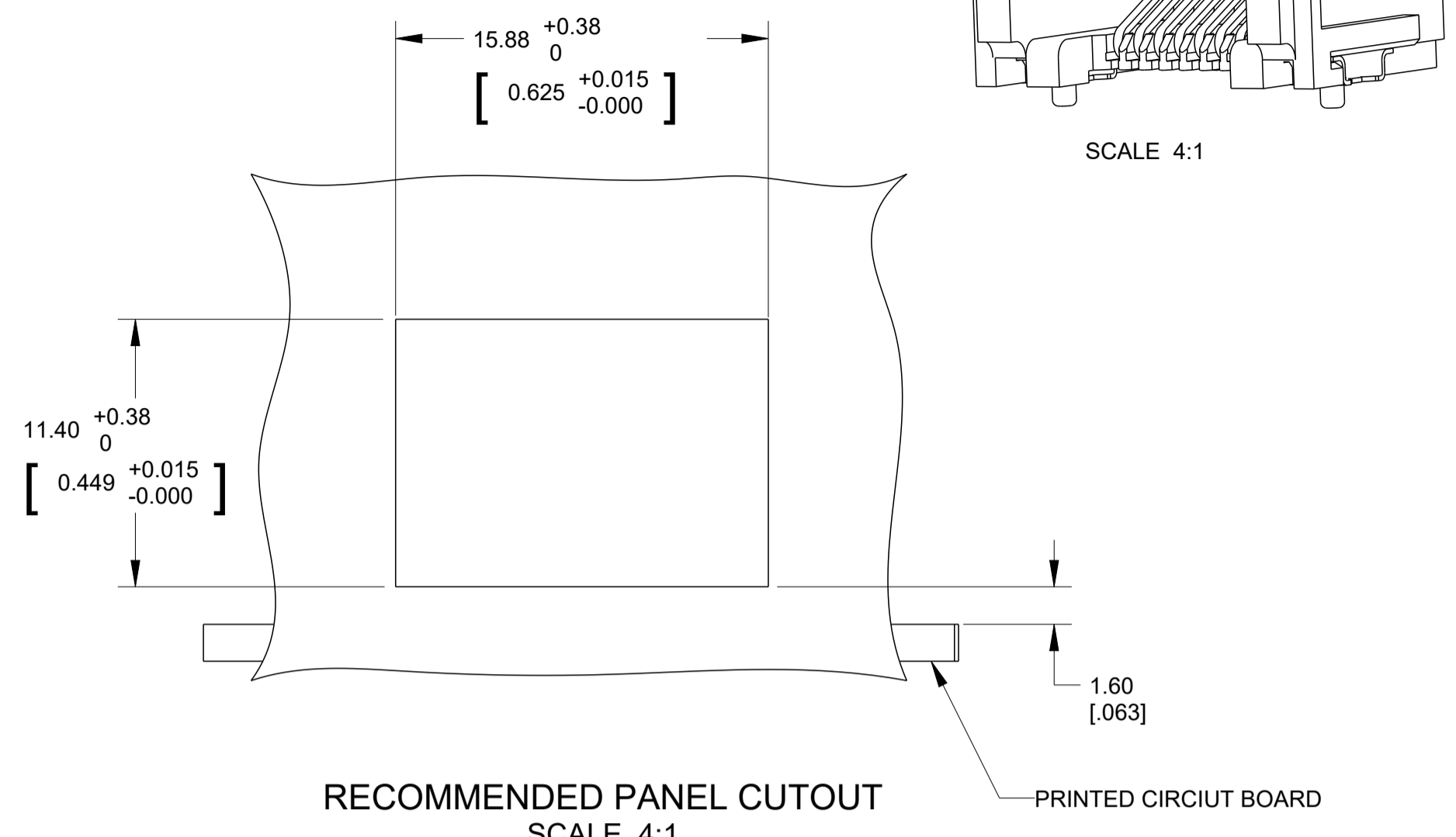
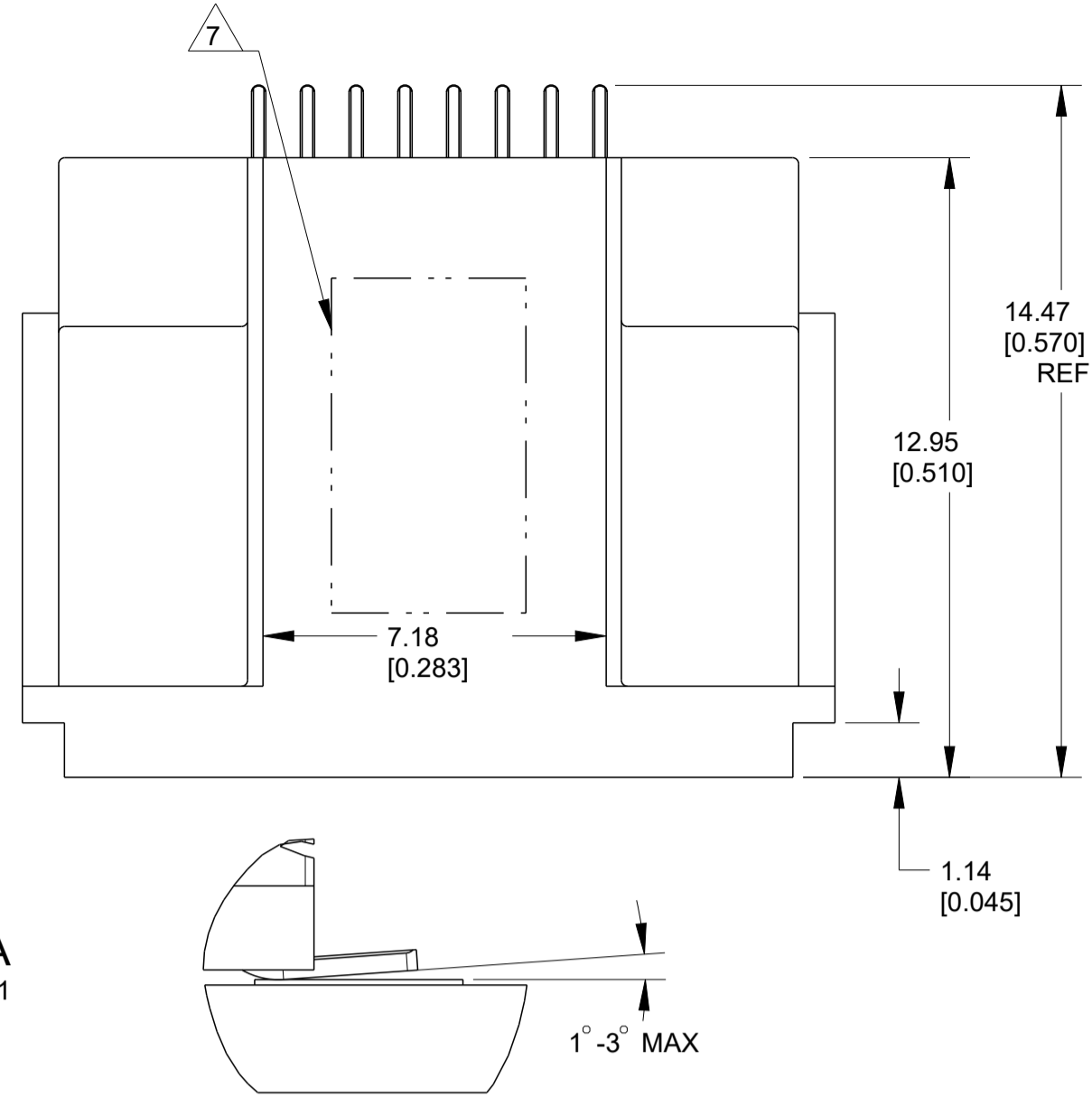
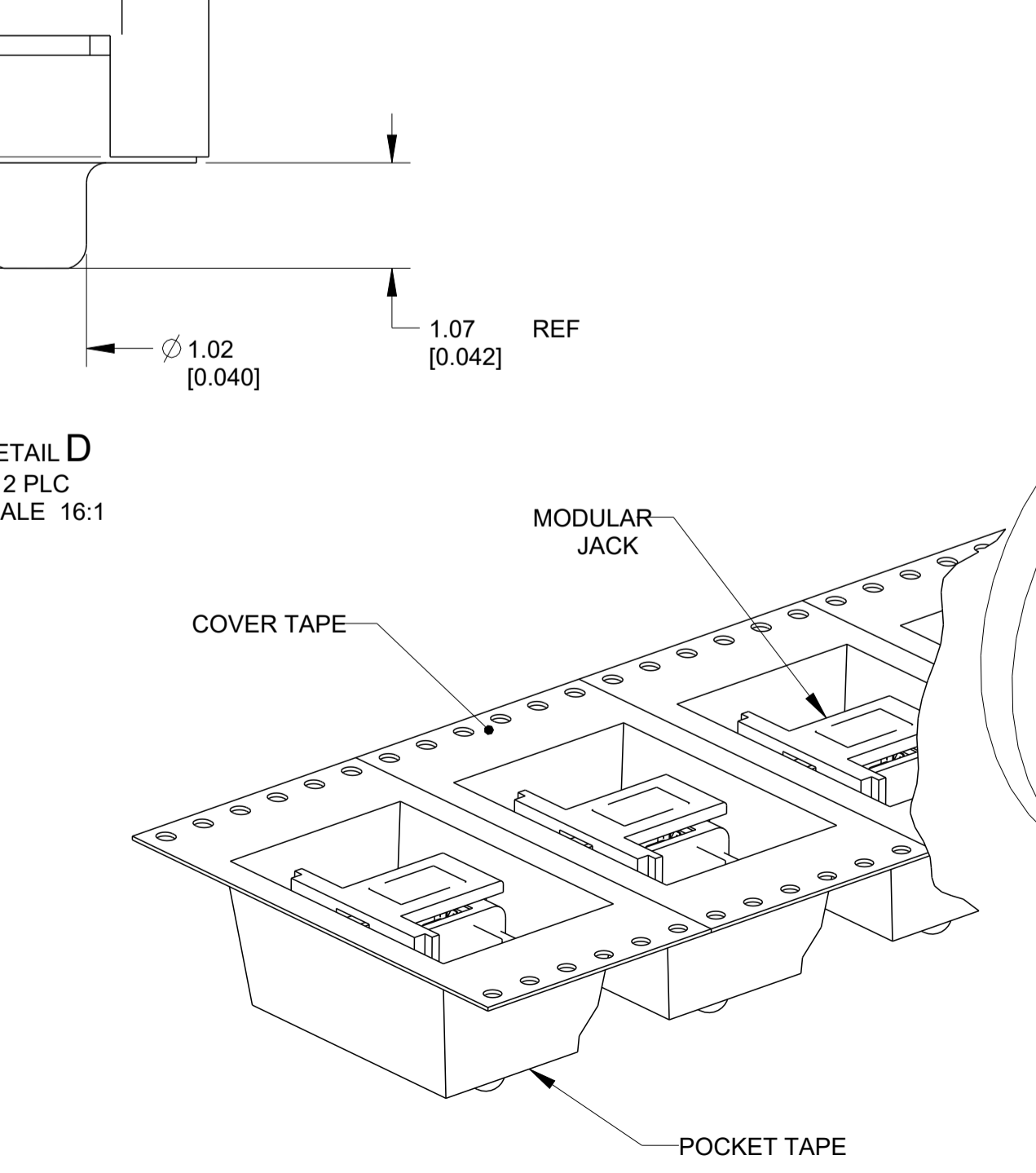
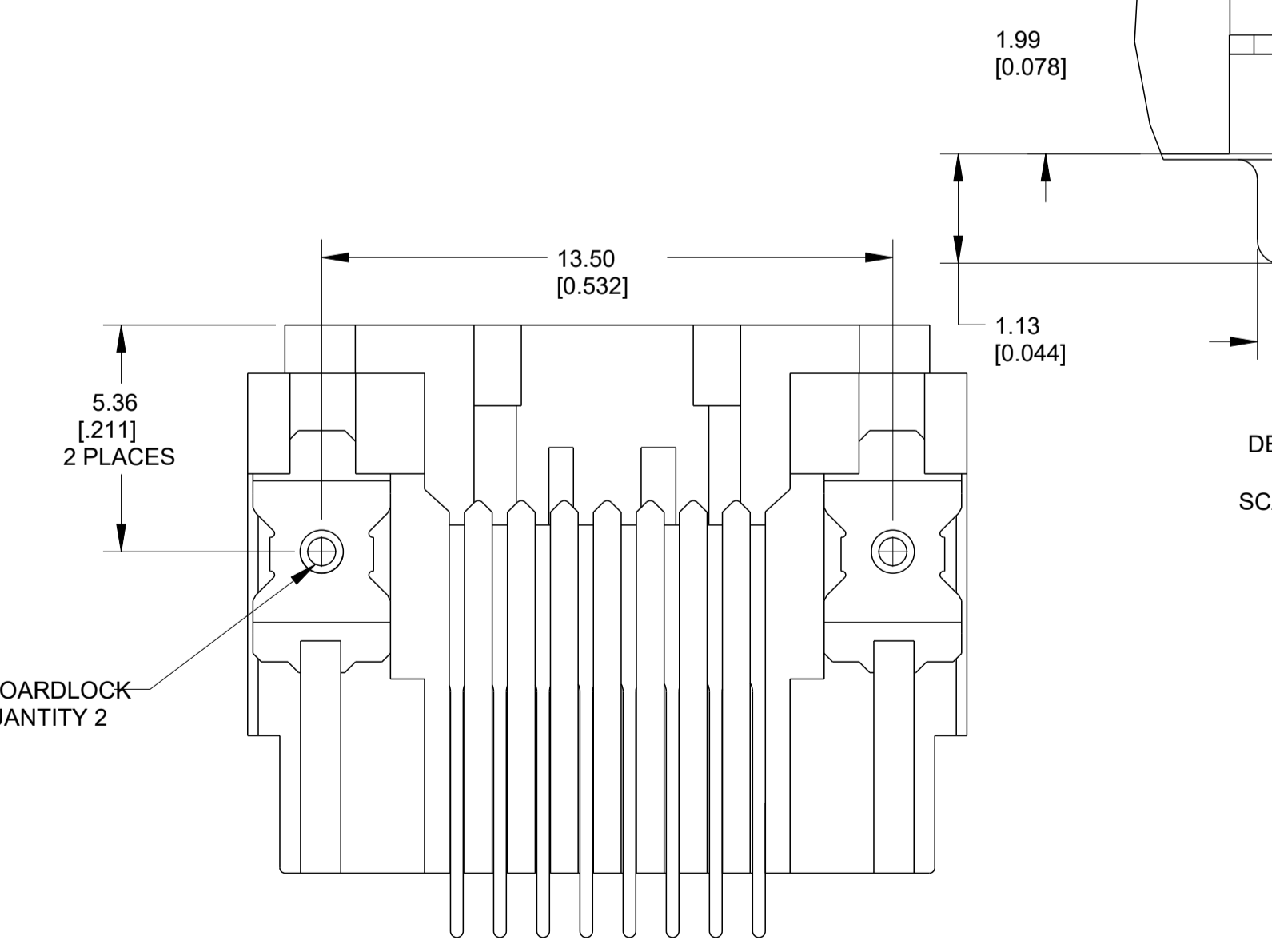
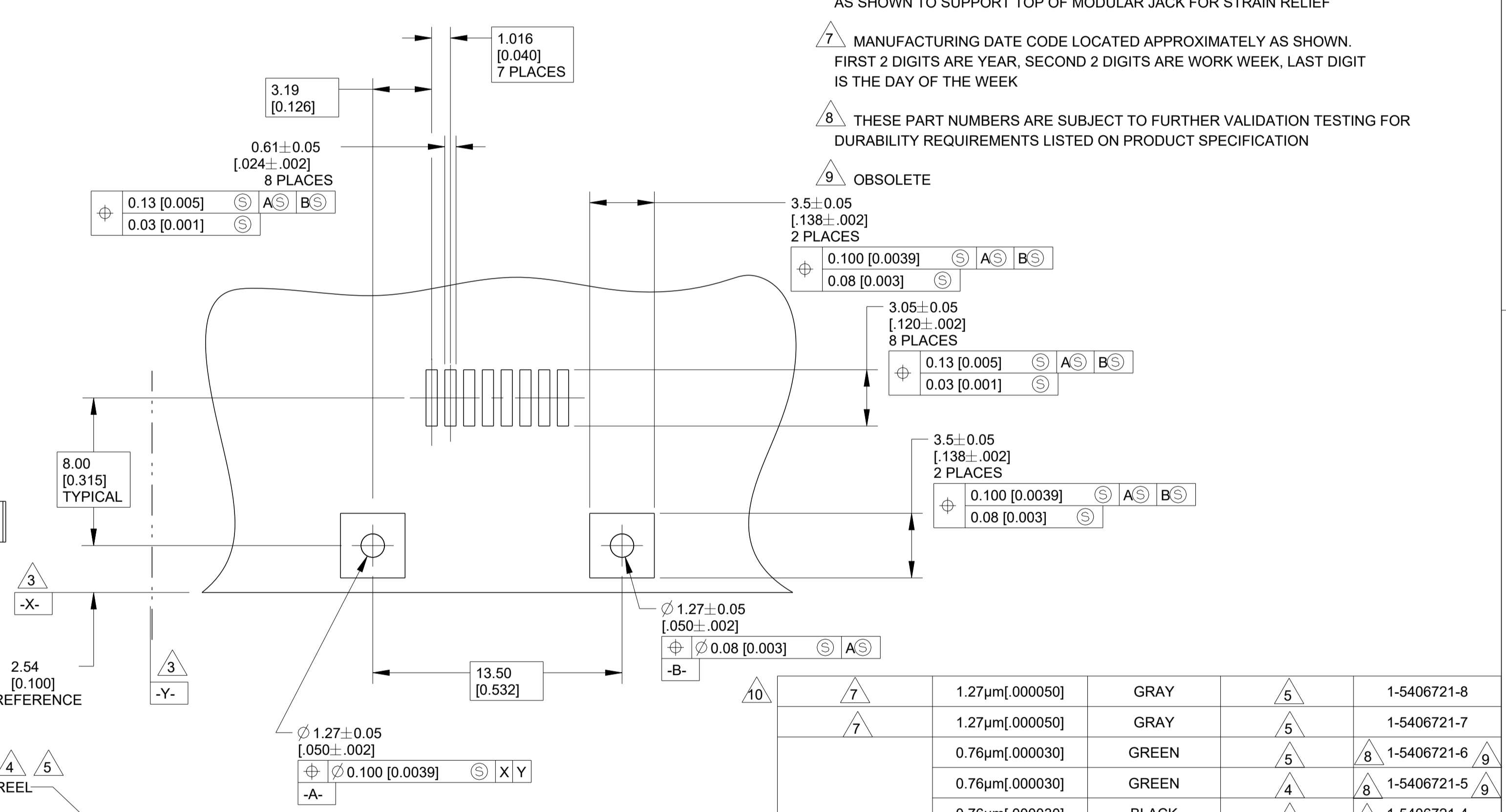
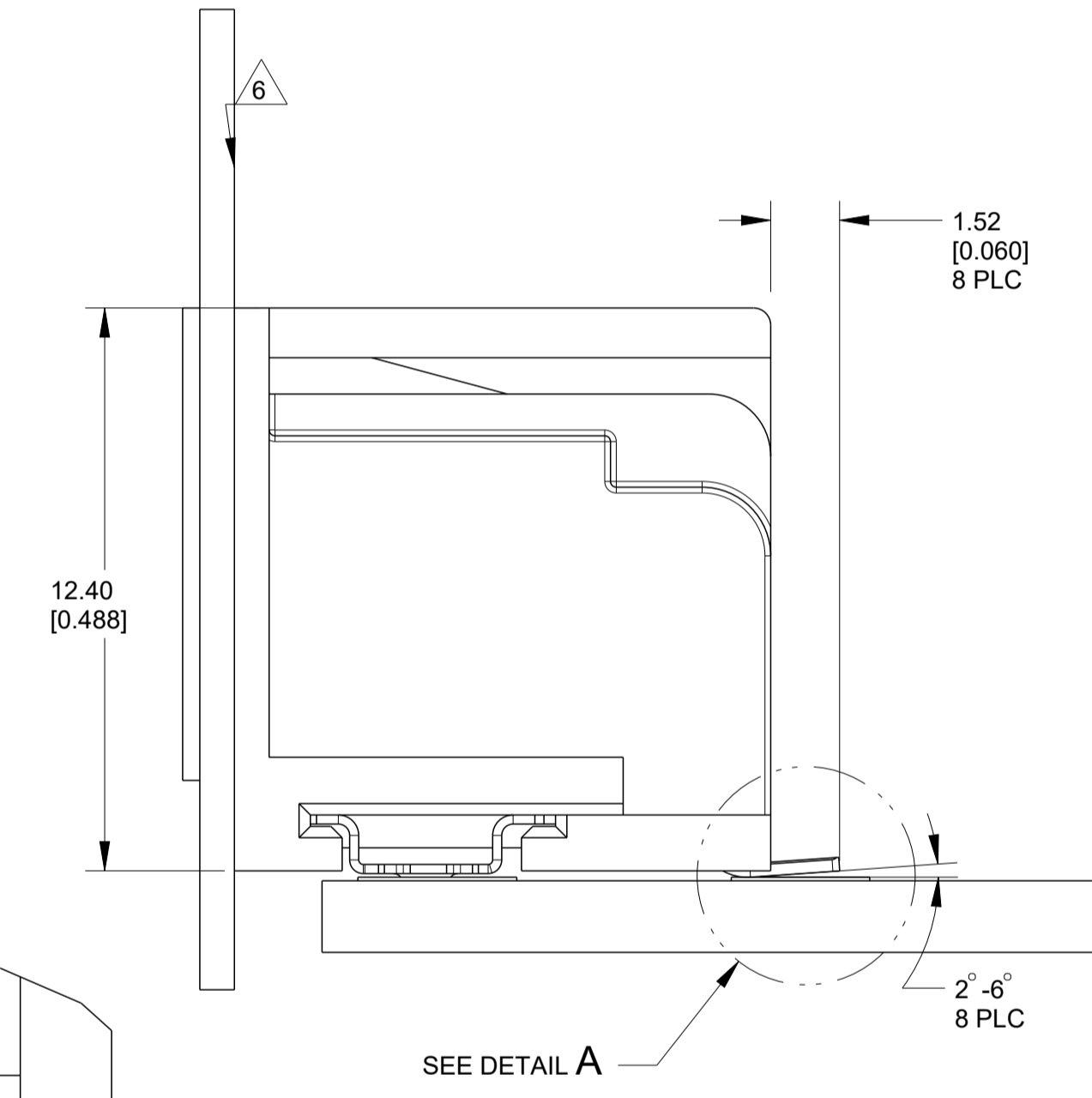
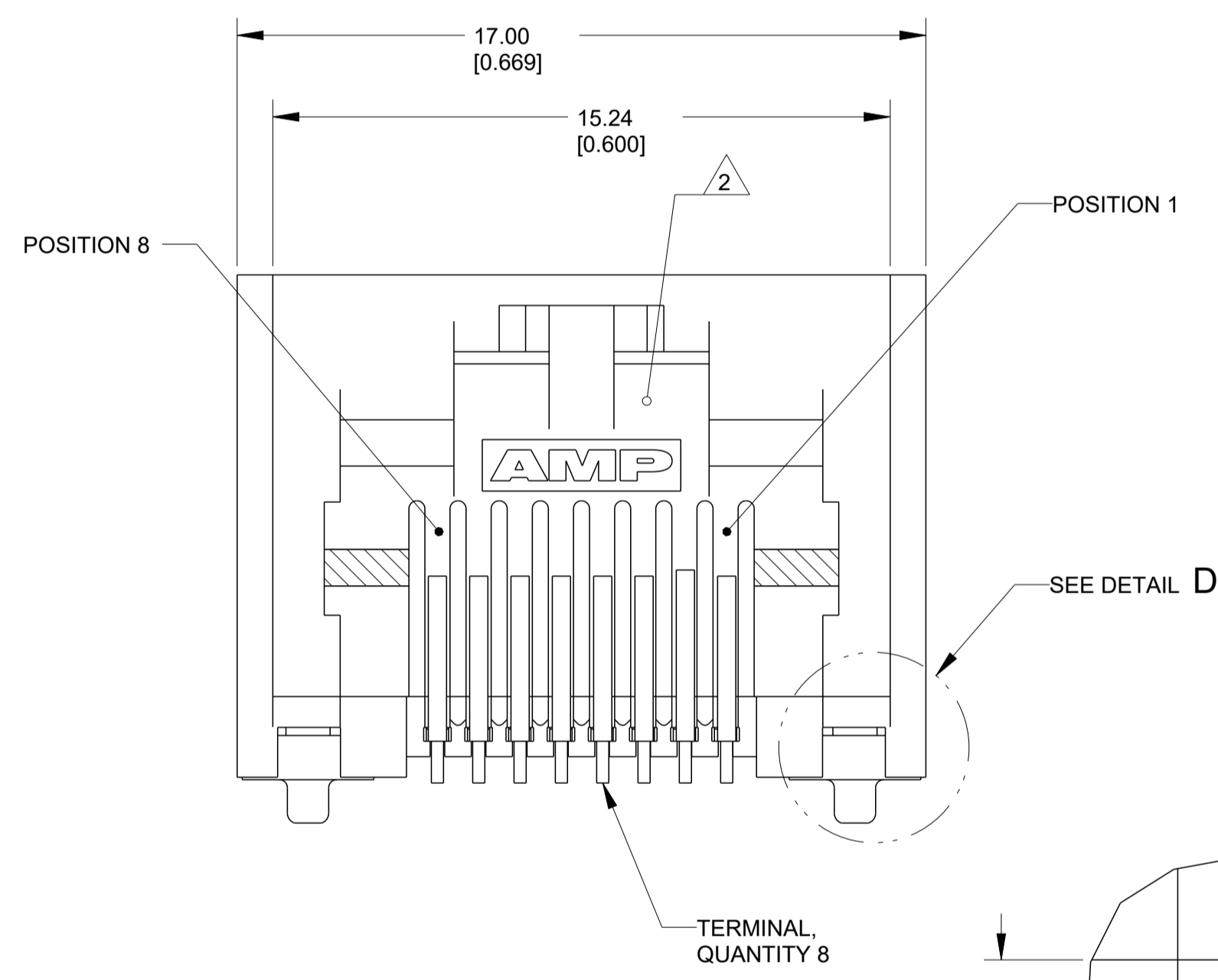


LOC		DIST		REVISIONS			
IR		P	LTR	DESCRIPTION	DATE	DWN	APVD
		E5		ECO-20-004223	23MAR2020	RR	SH

10 ONLY THIS PN 1-5406721-8 PIN ANGLE 1° - 3° MAX  
NOTE :- THERE IS NO PIN ANGLE CHANGE IN EXIST PN 1-5406721-7



- 1 MATERIAL: HOUSING - HIGH TEMPERATURE THERMOPLASTIC, COLOR PER PART NUMBER TABLE  
TERMINALS - 0.3 [0.012] THICK COPPER ALLOY PLATED WITH (SEE TABLE) MINIMUM GOLD IN LOCALIZED CONTACT AREA, 2.5µm [0.000100] MINIMUM MATTE TIN ON TERMINATION END, OVER 1.27µm [0.000050] MINIMUM NICKEL OVER THE ENTIRE TERMINAL  
BOARDLOCK - PHOS BRONZE, 1/2 HARD, 2.54µm [0.000100] MINIMUM MATTE TIN OVER 1.27µm [0.000050] MINIMUM NICKEL
- 2 JACK CAVITY CONFORMS TO FCC RULES AND REGULATIONS, PART 68, SUBPART F
- 3 DATUM ESTABLISHED BY CUSTOMER
- 4 PACKAGING TAPE AND REEL: (PER EIA 481 SPEC)  
TAPE - 32mm [1.26] WIDE  
POCKET PITCH - 24mm [0.945]  
CORRUGATED REEL DIAMETER - 560mm [22.0]  
PIECES/REEL - 650
- 5 PACKAGING TAPE AND REEL: (PER EIA 481 SPEC)  
TAPE - 32mm [1.26] WIDE  
POCKET PITCH - 24mm [0.945]  
PLASTIC REEL DIAMETER - 330mm [13.01]  
PIECES/REEL - 200
- 6 CONNECTOR SHOULD BE POSITIONED THROUGH PANEL CUTOUT AS SHOWN TO SUPPORT TOP OF MODULAR JACK FOR STRAIN RELIEF
- 7 MANUFACTURING DATE CODE LOCATED APPROXIMATELY AS SHOWN. FIRST 2 DIGITS ARE YEAR, SECOND 2 DIGITS ARE WORK WEEK, LAST DIGIT IS THE DAY OF THE WEEK
- 8 THESE PART NUMBERS ARE SUBJECT TO FURTHER VALIDATION TESTING FOR DURABILITY REQUIREMENTS LISTED ON PRODUCT SPECIFICATION
- 9 OBSOLETE



RECOMMENDED PRINTED CIRCUIT BOARD LAYOUT COMPONENT SIDE SCALE 5:1

MARKING	MIN GOLD THICKNESS	HOUSING COLOR	PACKAGING	PART NUMBER
7	1.27µm[.000050]	GRAY	5	1-5406721-8
7	1.27µm[.000050]	GRAY	5	1-5406721-7
7	0.76µm[.000030]	GREEN	5	8 1-5406721-6 9
	0.76µm[.000030]	GREEN	4	8 1-5406721-5 9
7	0.76µm[.000030]	BLACK	5	8 1-5406721-4 9
	0.76µm[.000030]	BLACK	4	8 1-5406721-3 9
	0.76µm[.000030]	GRAY	5	8 1-5406721-2 9
	0.76µm[.000030]	GRAY	4	8 1-5406721-1 9
NONE	1.27µm[.000050]	GRAY	5	5406721-7 9
	1.27µm[.000050]	GREEN	5	5406721-6 9
7	1.27µm[.000050]	GREEN	5	5406721-5 9
	1.27µm[.000050]	BLACK	5	5406721-4 9
	1.27µm[.000050]	BLACK	4	5406721-3 9
	1.27µm[.000050]	GRAY	5	5406721-2 9
	1.27µm[.000050]	GRAY	4	5406721-1 9

THIS DRAWING IS A CONTROLLED DOCUMENT.

DIMENSIONS: mm[INCHES]	TOLERANCES UNLESS OTHERWISE SPECIFIED:	DWN: 27 JULY 2005	NAME: J. WESTMAN
0 PLC ±	1 PLC ±	CHK: 27 JULY 2005	NAME: S. FLICKINGER
2 PLC ±	3 PLC ±0.13 [0.005]	APVD: 27 JULY 2005	NAME: S. FLICKINGER
4 PLC ±	5 PLC ±	PRODUCT SPEC: 108-1689	APPLICATION SPEC: 114-6040
MATERIAL: SEE NOTE 1	FINISH: SEE NOTE 1	WEIGHT: 1.46 gram	RESTRICTED TO: CUSTOMER

TE Connectivity  
MODULAR JACK ASSEMBLY, SINGLE PORT, 8/8 RIGHT ANGLE, SURFACE MOUNT, WITH PANEL STOPS, INWARD BOARDLOCK  
A1 00779 C=5406721  
SCALE: 7:1 SHEET 1 OF 1 REV: E5