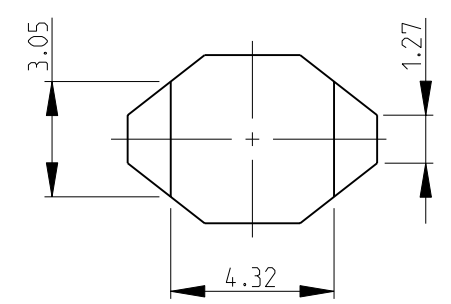
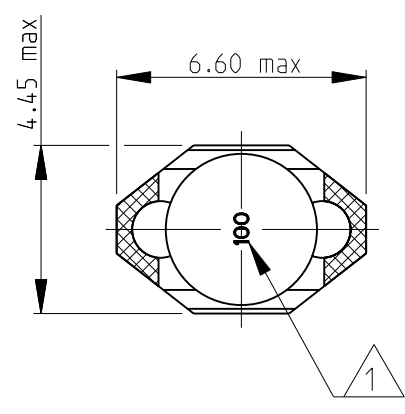


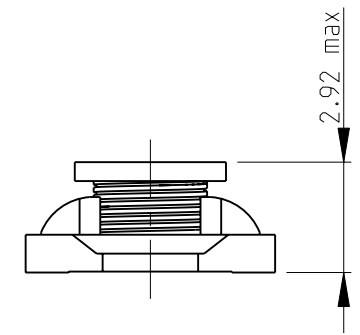
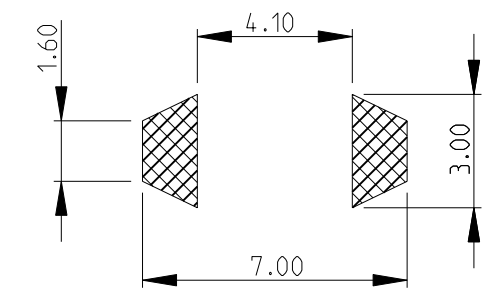
THIS DRAWING IS UNPUBLISHED. RELEASED FOR PUBLICATION 2008
 © COPYRIGHT 2008 BY TYCO ELECTRONICS CORPORATION. ALL RIGHTS RESERVED.

LOC		DIST		REVISIONS			
P	LTR	DESCRIPTION	DATE	DWN	APVD		
E	B	BA	NEW RELEASE	13-NOV-08	SM	St.P	

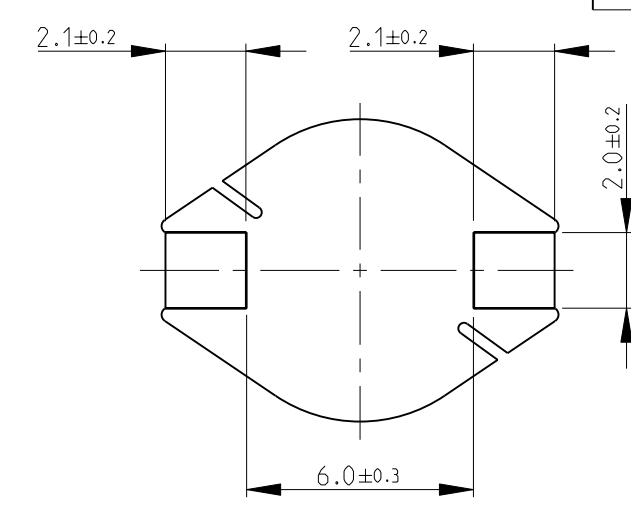
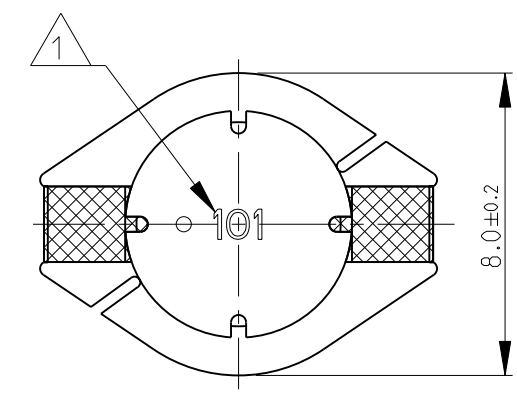
SERIES 3622A AS SHOWN



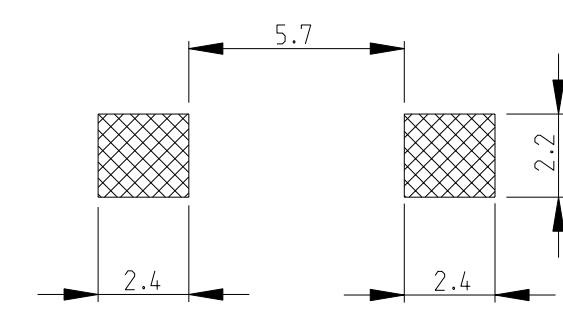
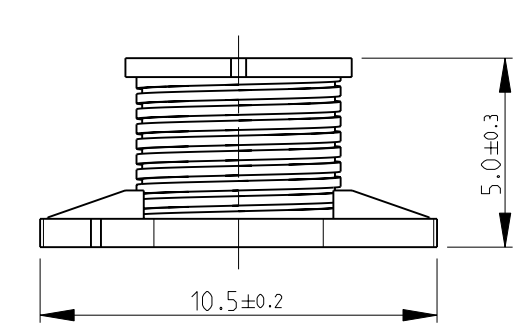
RECOMMENDED LAND PATTERN 3622A SERIES



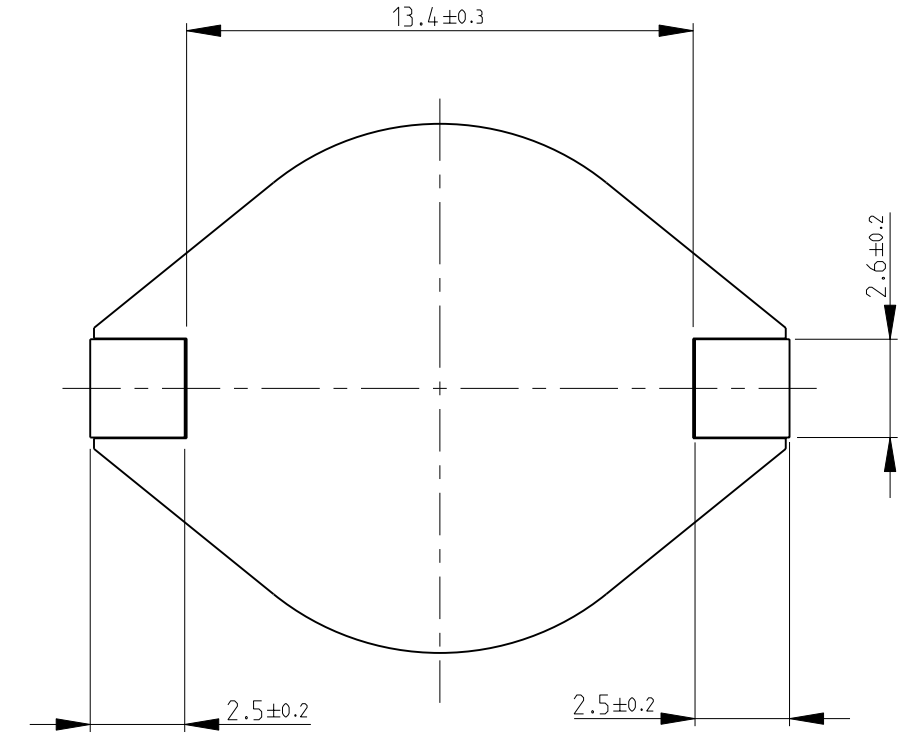
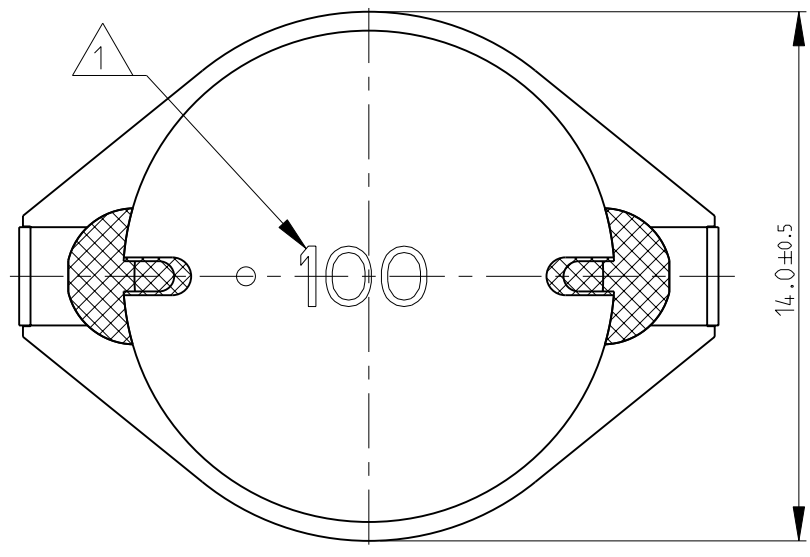
SERIES 3622B AS SHOWN



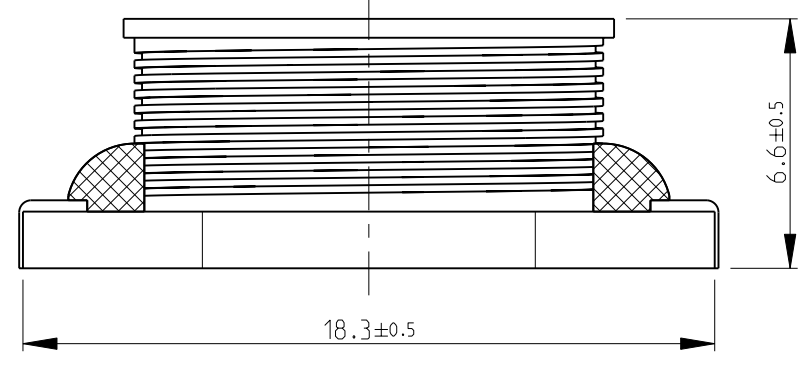
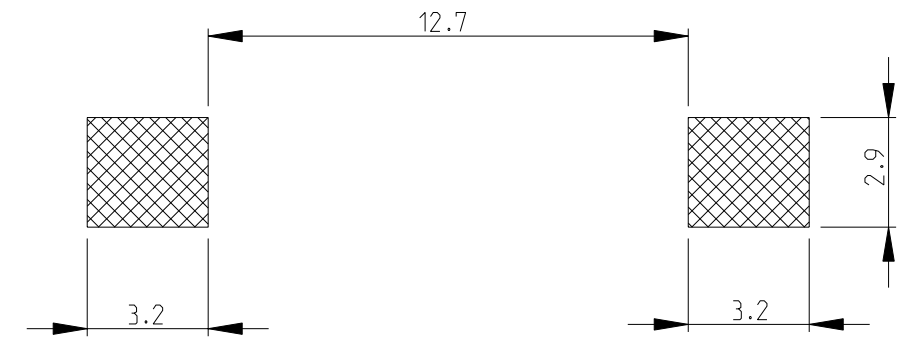
RECOMMENDED LAND PATTERN 3622B SERIES



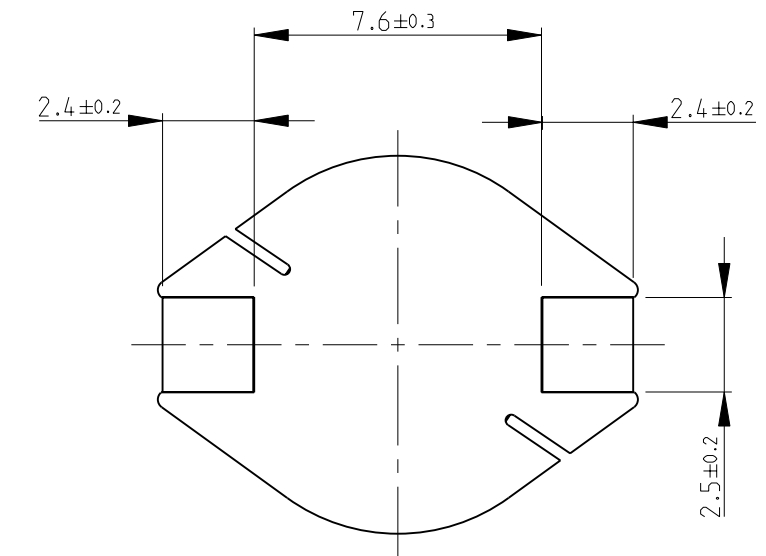
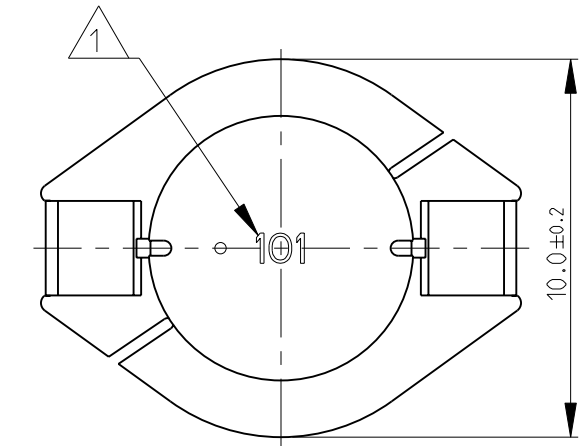
SERIES 3622D AS SHOWN



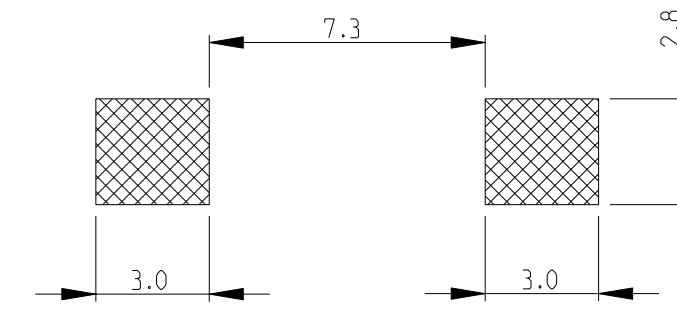
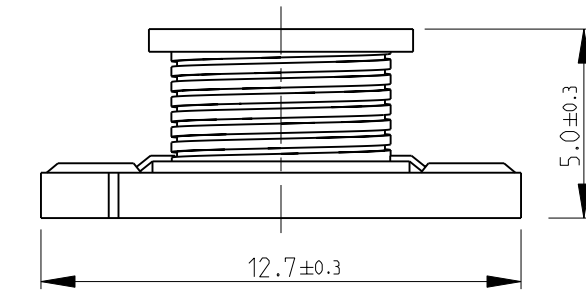
RECOMMENDED LAND PATTERN 3622D SERIES



SERIES 3622C AS SHOWN



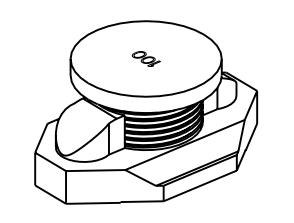
RECOMMENDED LAND PATTERN 3622C SERIES



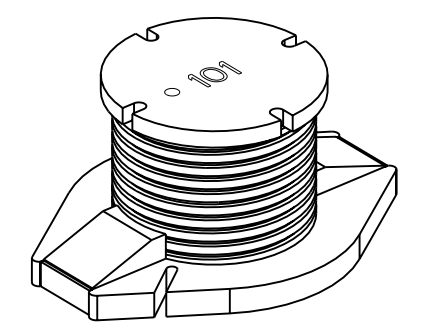
△ INDUCTANCE CODE
 2 AVAILABLE IN 4 VARIANTS
 3 FOR FURTHER INFORMATION SEE DATA SHEET FOR 3622 SERIES-POWER INDUCTORS

RoHS Compliant

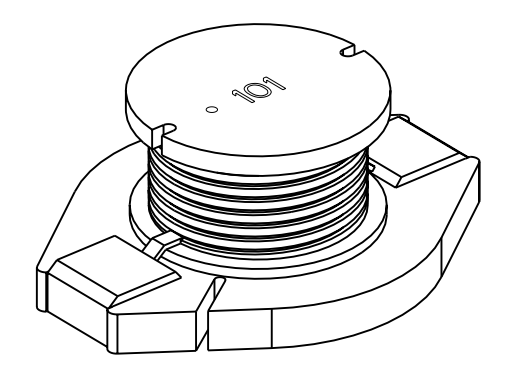
3622A SERIES



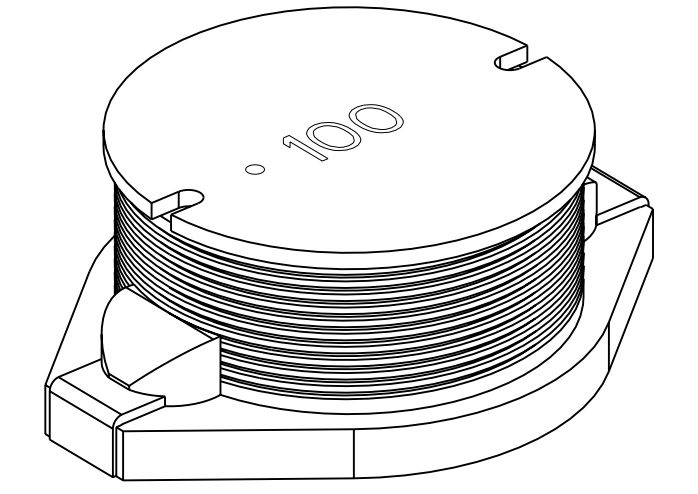
3622B SERIES



3622C SERIES



3622D SERIES



THIS DRAWING IS A CONTROLLED DOCUMENT FOR TYCO ELECTRONICS CORPORATION IT IS SUBJECT TO CHANGE AND THE CONTROLLING ENGINEERING ORGANIZATION SHOULD BE CONTACTED FOR THE LATEST REVISION.		DWN	SUBHASH.M	13-NOV-08
DIMENSIONS:		CHK	PRAKASH.S	13-NOV-08
mm		APVD	STEPHEN.P	13-NOV-08
TOLERANCES UNLESS OTHERWISE SPECIFIED:		PRODUCT SPEC		
0 PLC ±0.2		APPLICATION SPEC		
1 PLC ±0.1		WEIGHT		
2 PLC ±		CUSTOMER DRAWING		
3 PLC ±		SCALE 5:1		
4 PLC ±		SHEET 1 OF 1		
ANGLES ±5°		REV BA		
FINISH				

Tyco Electronics Corporation Dorcan, Swindon, SN3 5HH		NAME		POWER INDUCTORS SERIES 3622	
SIZE	CAGE CODE	DRAWING NO	RESTRICTED TO		
A2	00779	1676958	-		