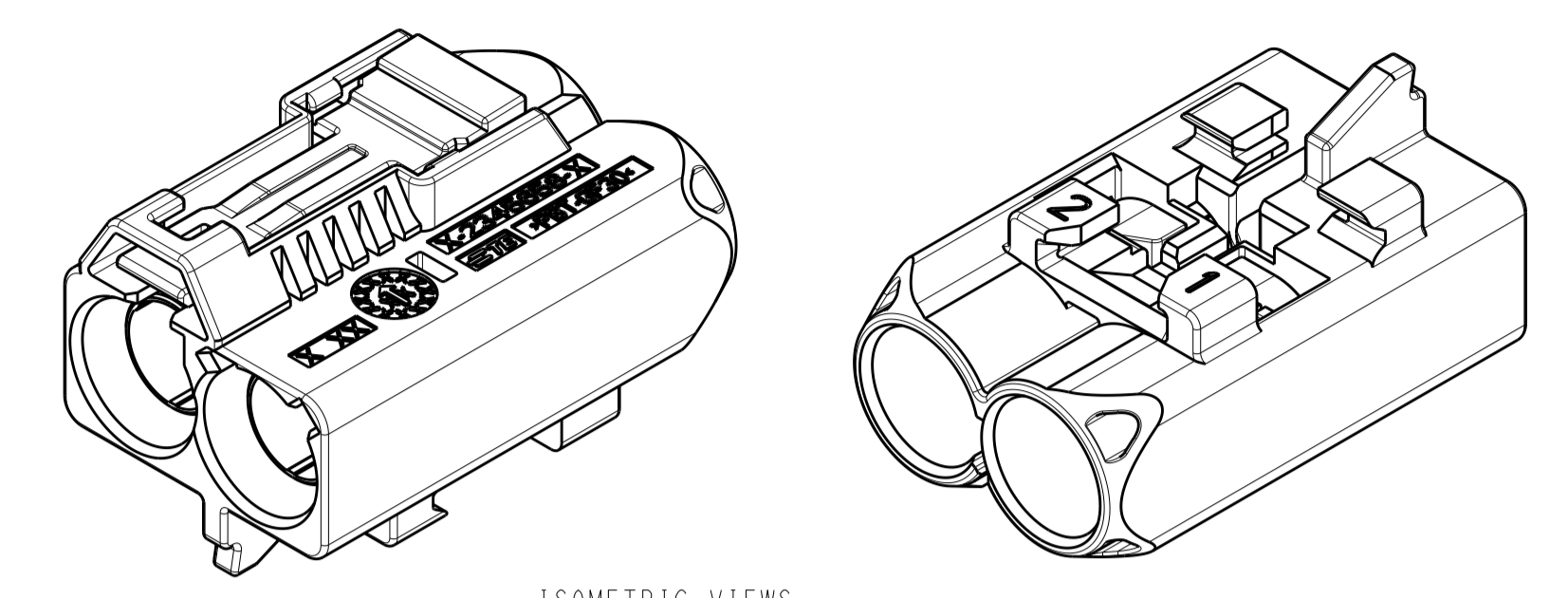
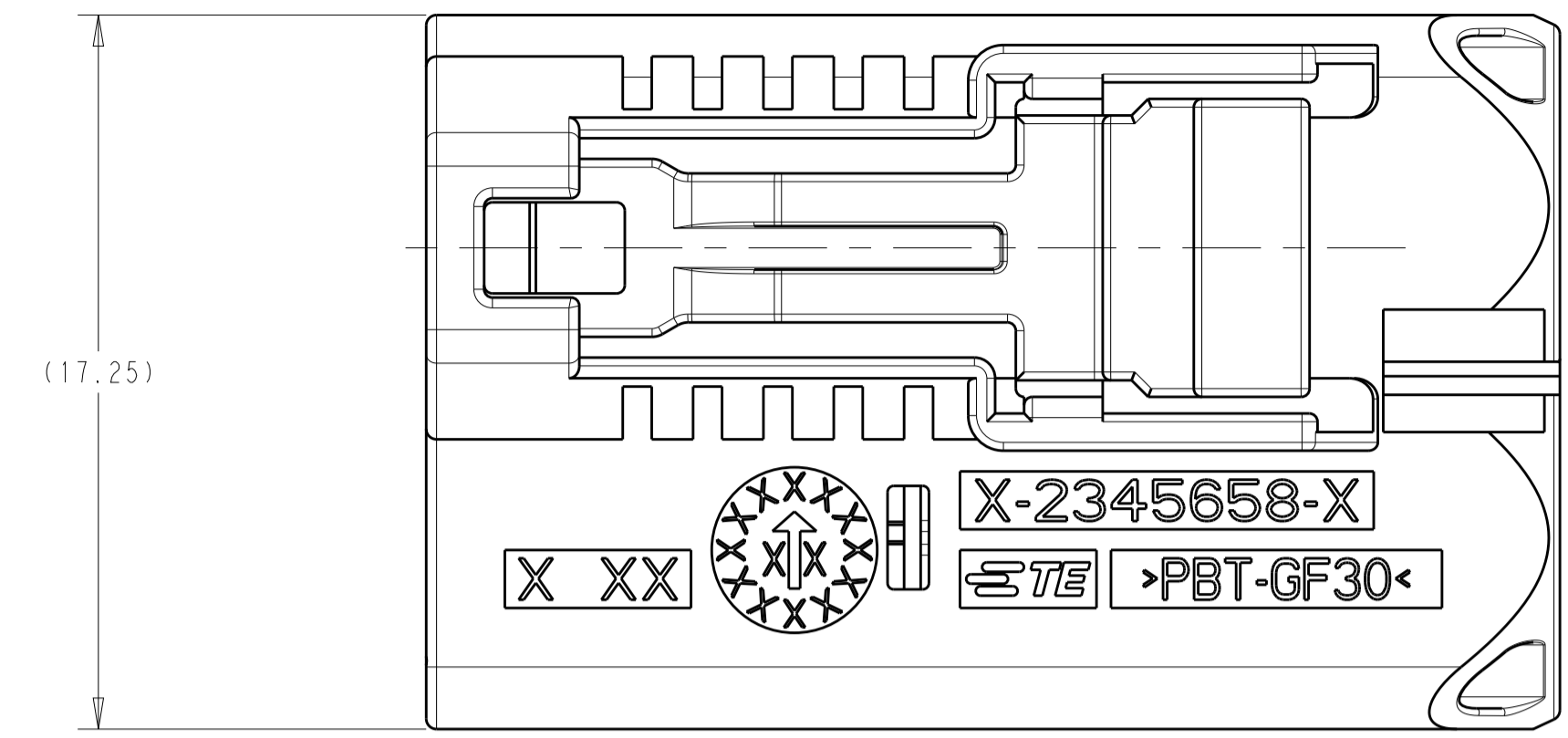
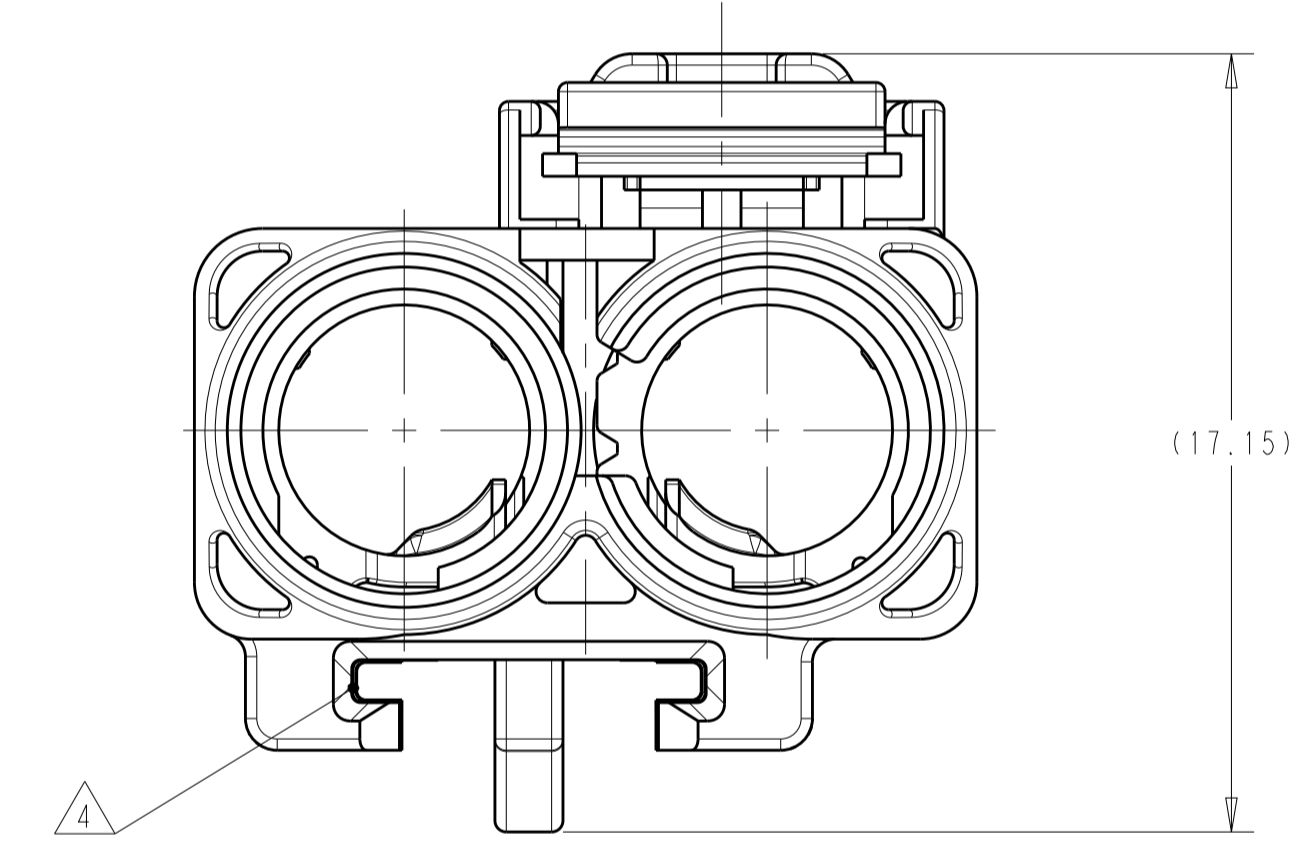
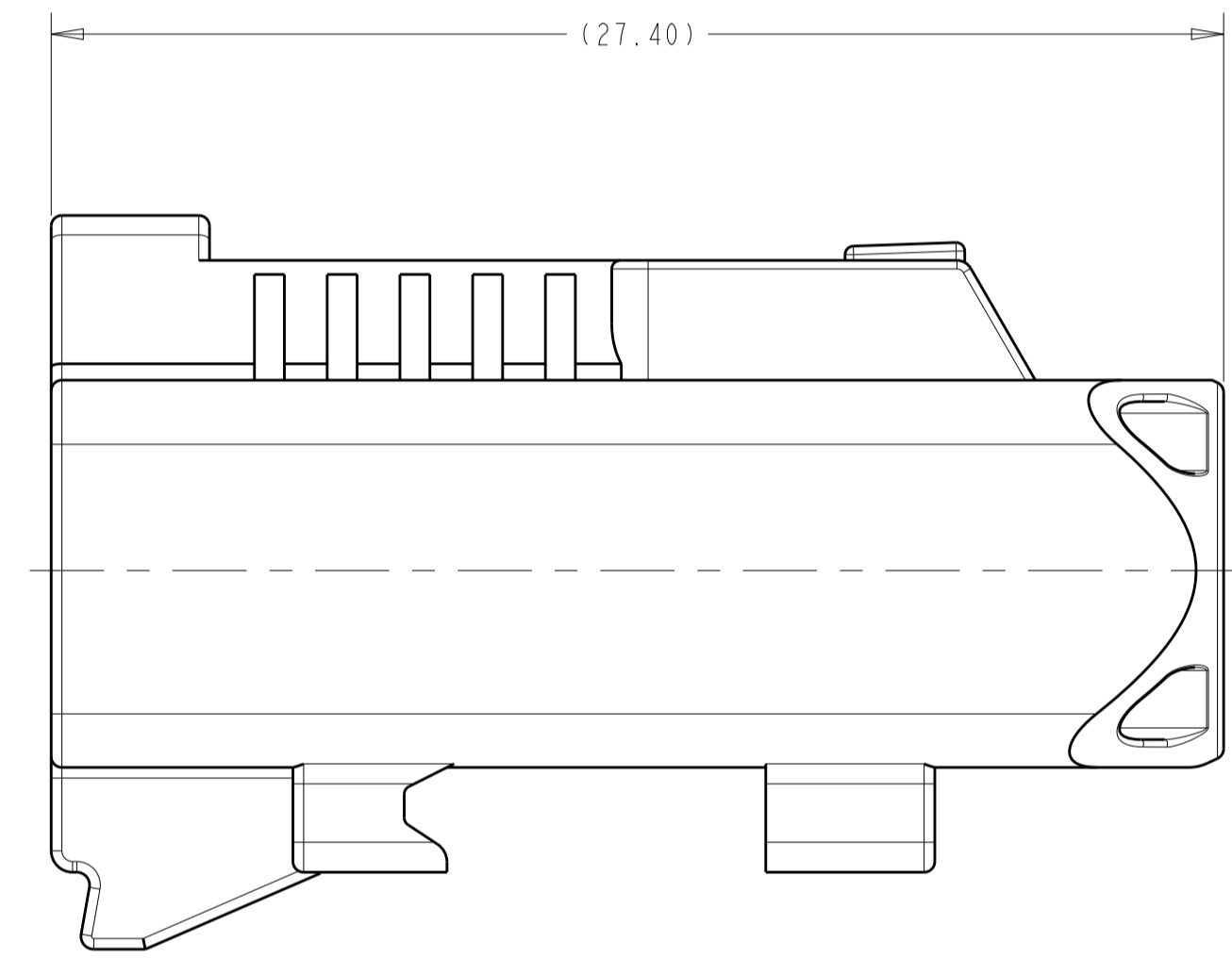
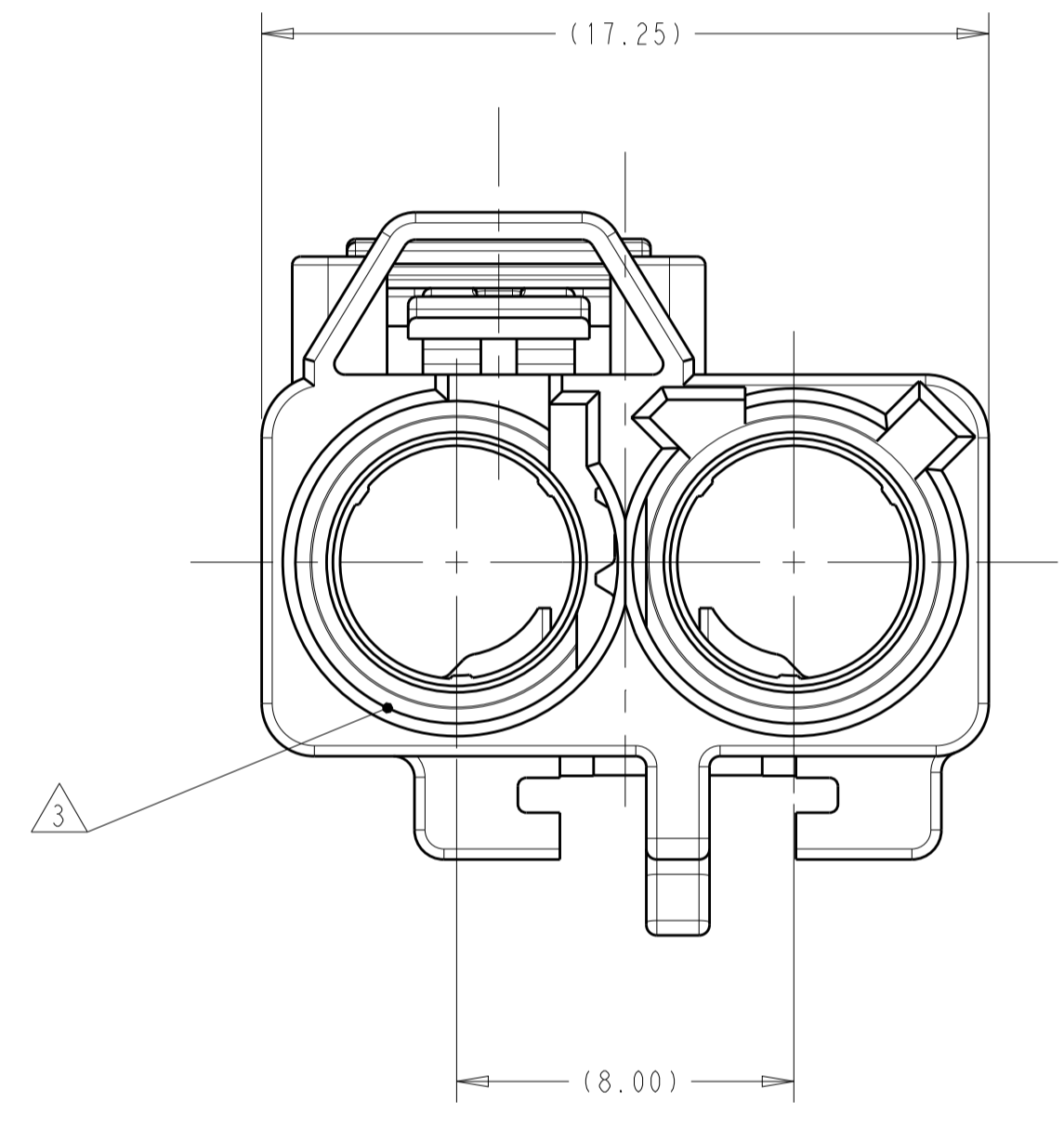


REVISIONS				
P	LTN	DESCRIPTION	DATE	APVD
1		INITIAL DRAWING	08JUL2019	JMS NE
A		RELEASED PER ECO-19-013783	06SEP2019	KF NE



ISOMETRIC VIEWS
SCALE 3:1

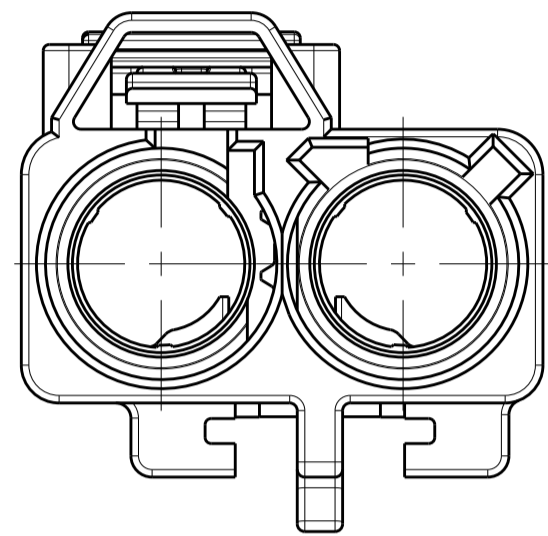


- 1. 2345658-1 AS SHOWN.
- 2 MATERIAL, POLYESTER PBT, COLOR SEE TABLE.
- 3 FEMALE INTERFACE PER ISO-20860-1, ISO-20860-2, SAE/USCAR-17, SAE/USCAR-18.
- 4 STANDARD 7mm CLIP SLOT EWCAP-005-7.

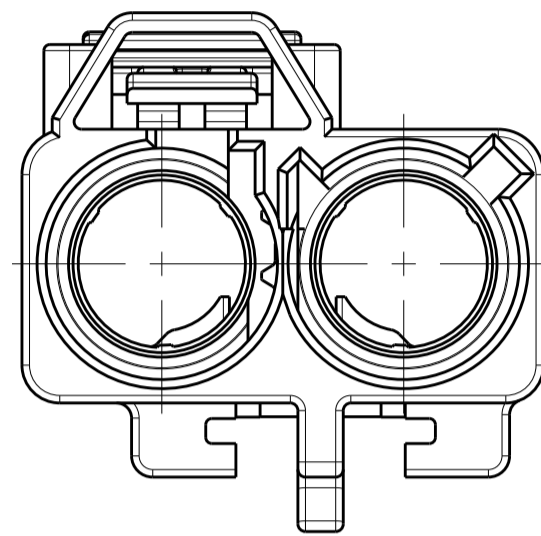
Z	PER DETAIL Z	WATER BLUE	2-2345658-0
N	PER DETAIL N	PASTEL GREEN	1-2345658-3
M	PER DETAIL M	PASTEL ORANGE	1-2345658-2
L	PER DETAIL L	CARMINE RED	1-2345658-1
K	PER DETAIL K	CURRY	1-2345658-0
I	PER DETAIL I	BEIGE	2345658-9
H	PER DETAIL H	HEATHER VIOLET	2345658-8
G	PER DETAIL G	BLUE GREY	2345658-7
F	PER DETAIL F	NUT BROWN	2345658-6
E	PER DETAIL E	LEAF GREEN	2345658-5
D	PER DETAIL D	CLARET VIOLET	2345658-4
C	PER DETAIL C	SIGNAL BLUE	2345658-3
B	PER DETAIL B	CREAM	2345658-2
A	PER DETAIL A	JET BLACK	2345658-1
KEY CODE	KEYING	CODING COLOR	PART NUMBER

THIS DRAWING IS A CONTROLLED DOCUMENT.		OWN: J. SHIRK 08JUL2019	TE Connectivity
DIMENSIONS: mm		CHK: N. EVANS 08JUL2019	
TOLERANCES UNLESS OTHERWISE SPECIFIED:		APVD: N. EVANS 08JUL2019	NAME: FEMALE HOUSING, CLIP SLOT, 2 POSITION, 8.0mm CENTERLINE, 180 DEGREE, FAKRA
0 PLC ±		PRODUCT SPEC: 108-32137	
1 PLC ±		APPLICATION SPEC: 114-32145	SIZE: A1 CAGE CODE: DRAWING NO: 2345658
2 PLC ±		RESTRICTED TO: -	
3 PLC ±		WEIGHT: -	SCALE: 6:1 SHEET 1 OF 2 REV A
4 PLC ±		CUSTOMER DRAWING	
ANGLES ±			
FINISH			

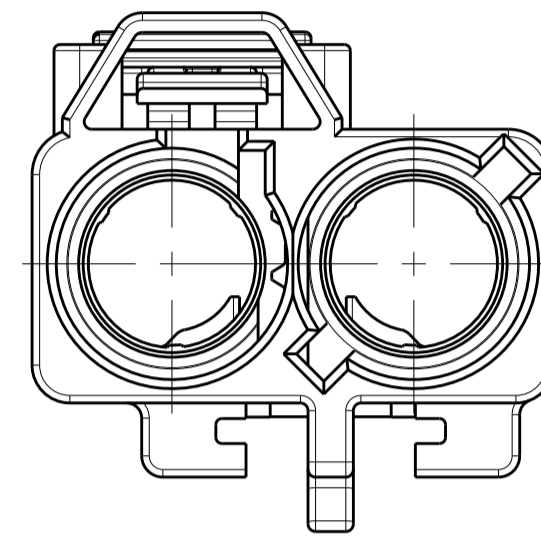
REVISIONS				
P.	LTN	DESCRIPTION	DATE	APVD
-		SEE SHEET 1	-	-



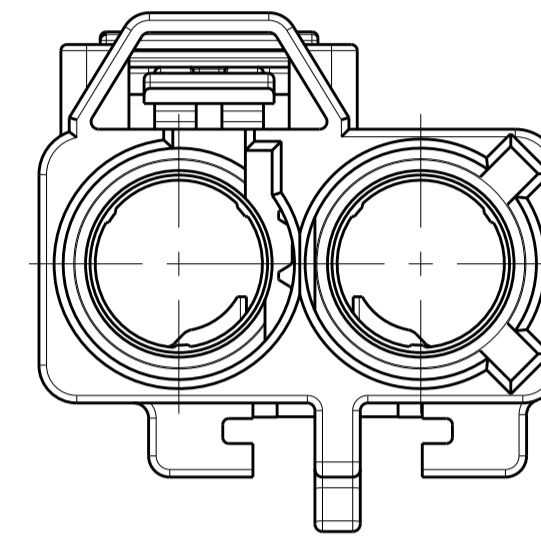
DETAIL A
SCALE 4:1



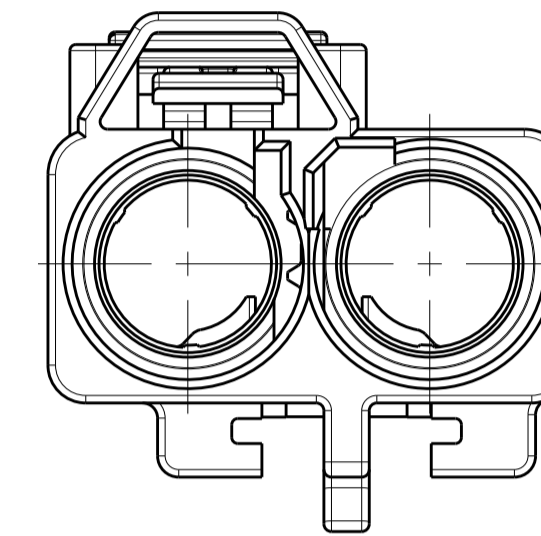
DETAIL B
SCALE 4:1



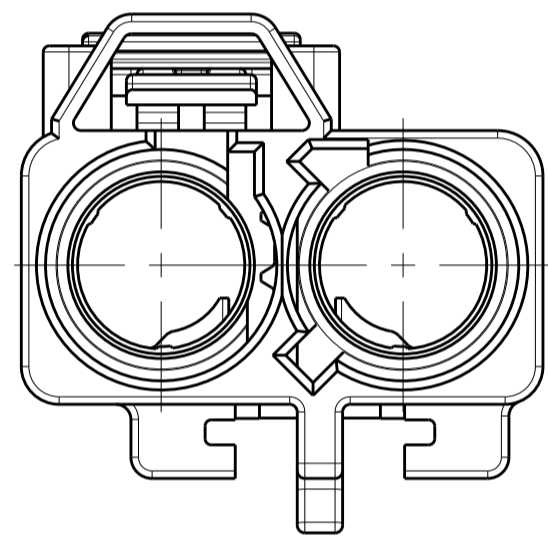
DETAIL C
SCALE 4:1



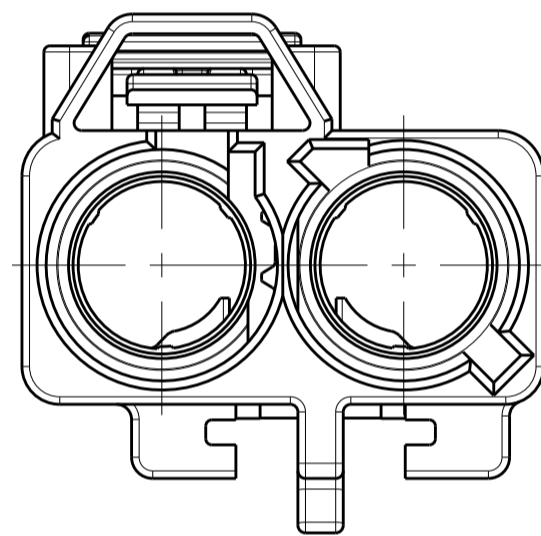
DETAIL D
SCALE 4:1



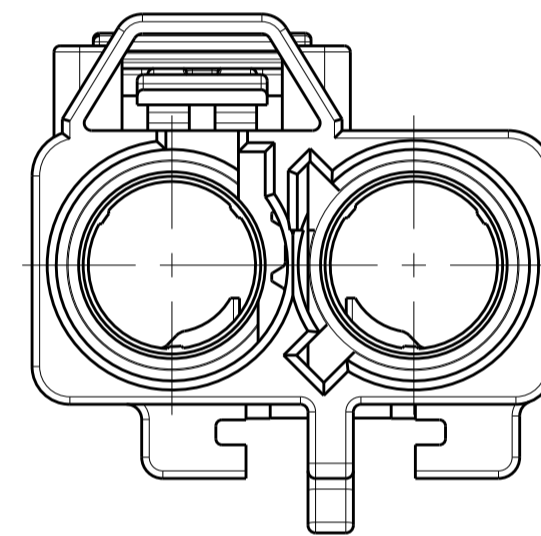
DETAIL E
SCALE 4:1



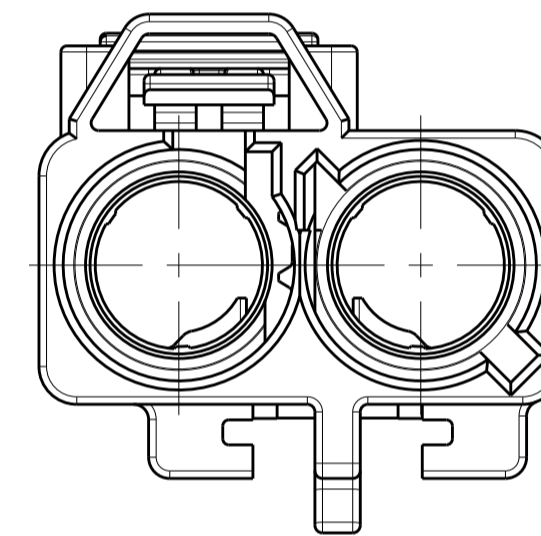
DETAIL F
SCALE 4:1



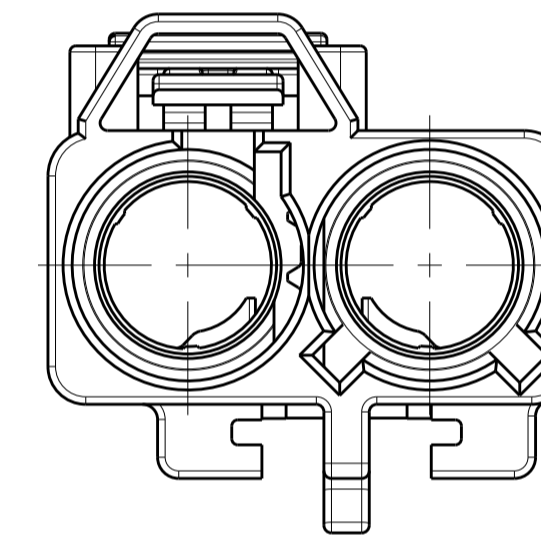
DETAIL G
SCALE 4:1



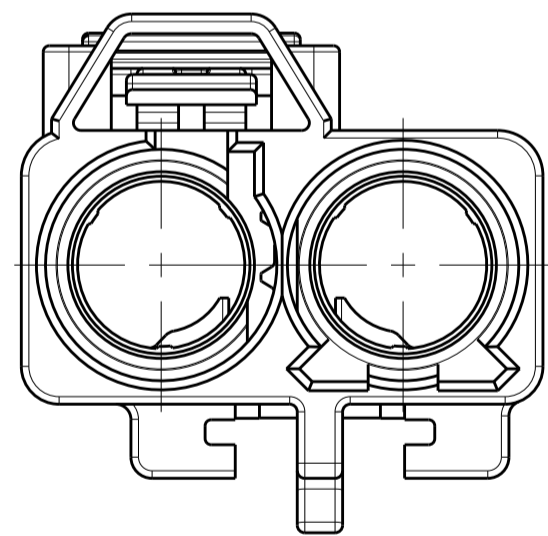
DETAIL H
SCALE 4:1



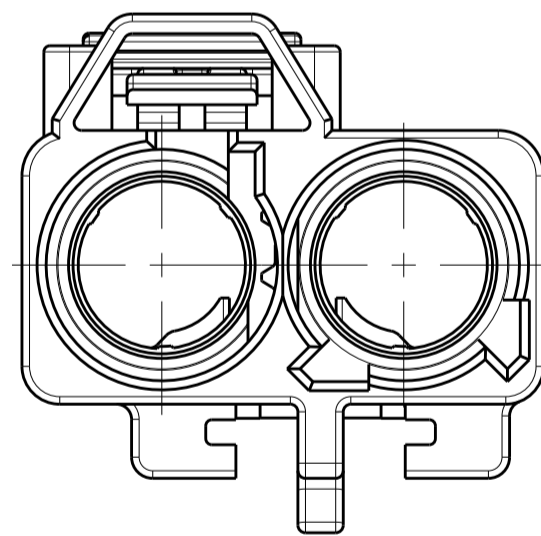
DETAIL I
SCALE 4:1



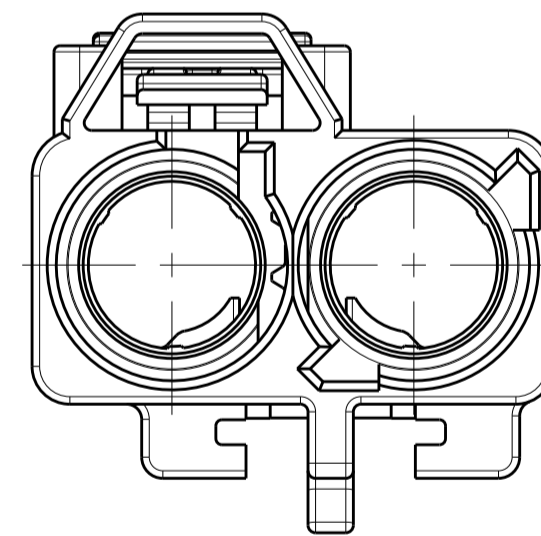
DETAIL K
SCALE 4:1



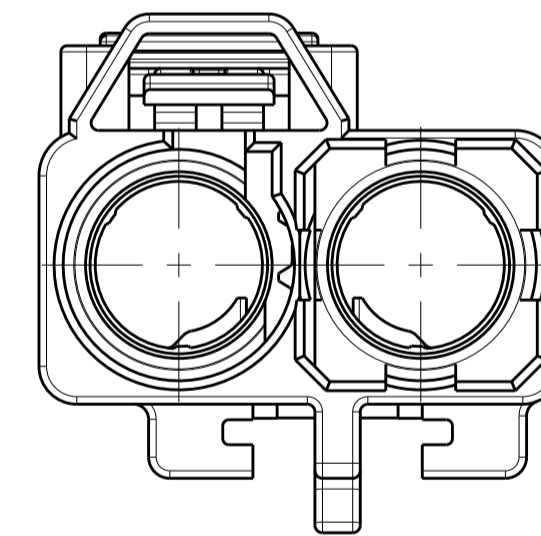
DETAIL L
SCALE 4:1



DETAIL M
SCALE 4:1



DETAIL N
SCALE 4:1



DETAIL Z
SCALE 4:1

THIS DRAWING IS A CONTROLLED DOCUMENT.		OWN: J. SHIRK 08JUL2019	TE TE Connectivity
DIMENSIONS: mm		CHK: N. EVANS 08JUL2019	
TOLERANCES UNLESS OTHERWISE SPECIFIED:		APVD: N. EVANS 08JUL2019	NAME: FEMALE HOUSING, CLIP SLOT, 2 POSITION, 8.0mm CENTERLINE, 180 DEGREE, FAKRA
0 PLC ±	1 PLC ±	PRODUCT SPEC	RESTRICTED TO
2 PLC ±	3 PLC ±	108-32137	SIZE: A
4 PLC ±	ANGLES ±	APPLICATION SPEC	CAGE CODE: -
FINISH ±1*	WEIGHT	114-32145	DRAWING NO: C=2345658
MATERIAL	CUSTOMER DRAWING	SCALE: 5:1	SHEET 2 OF 2