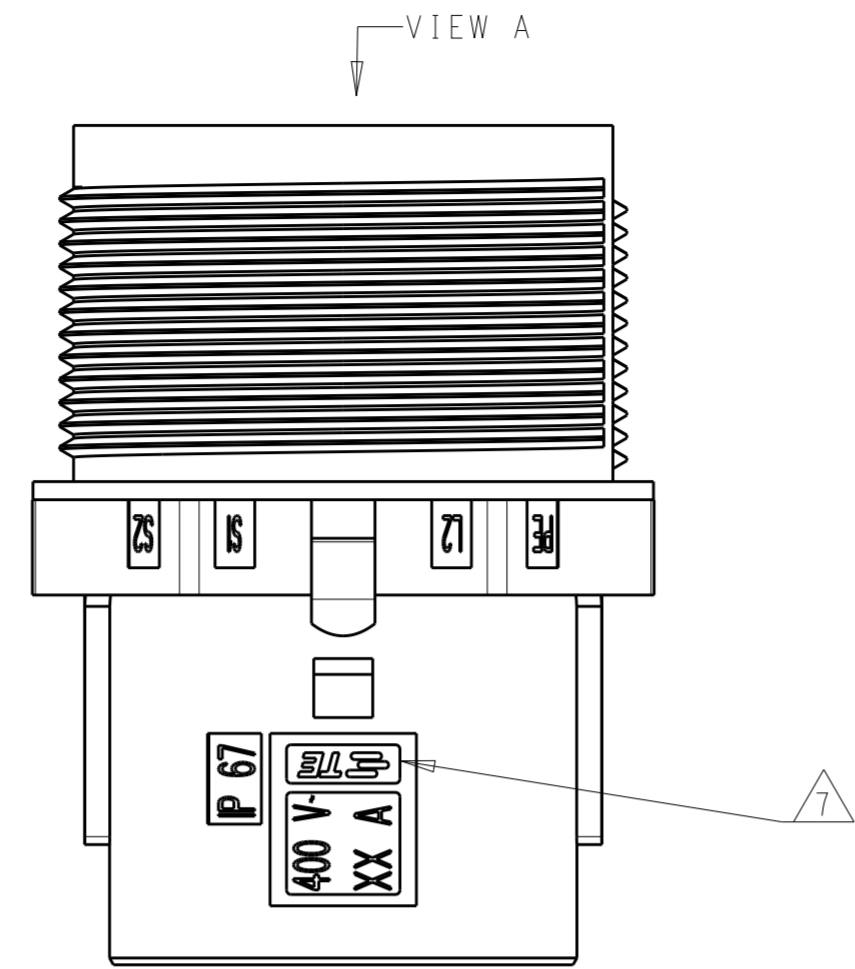
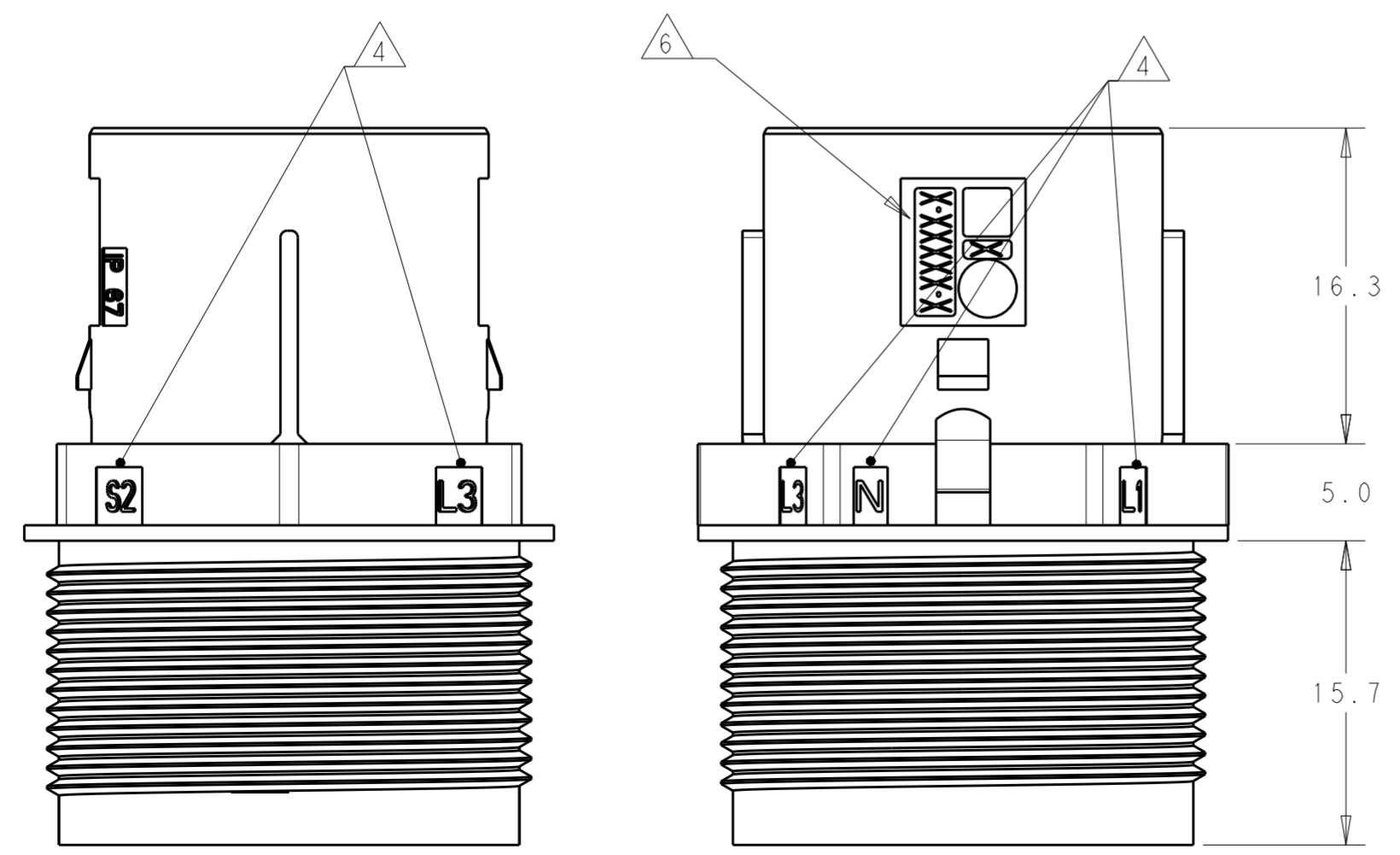
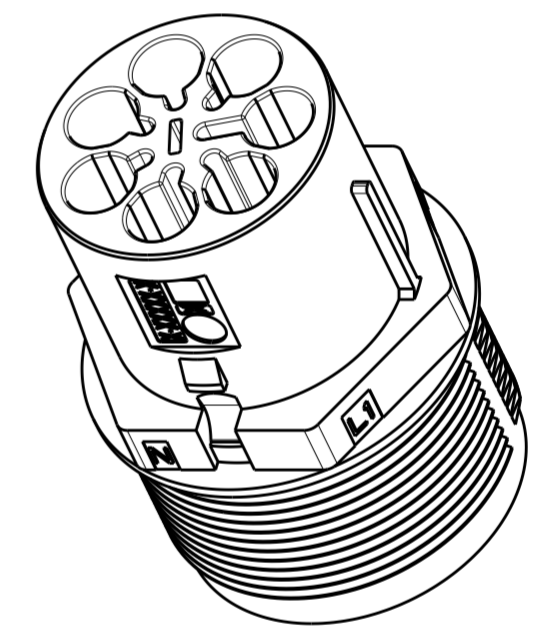
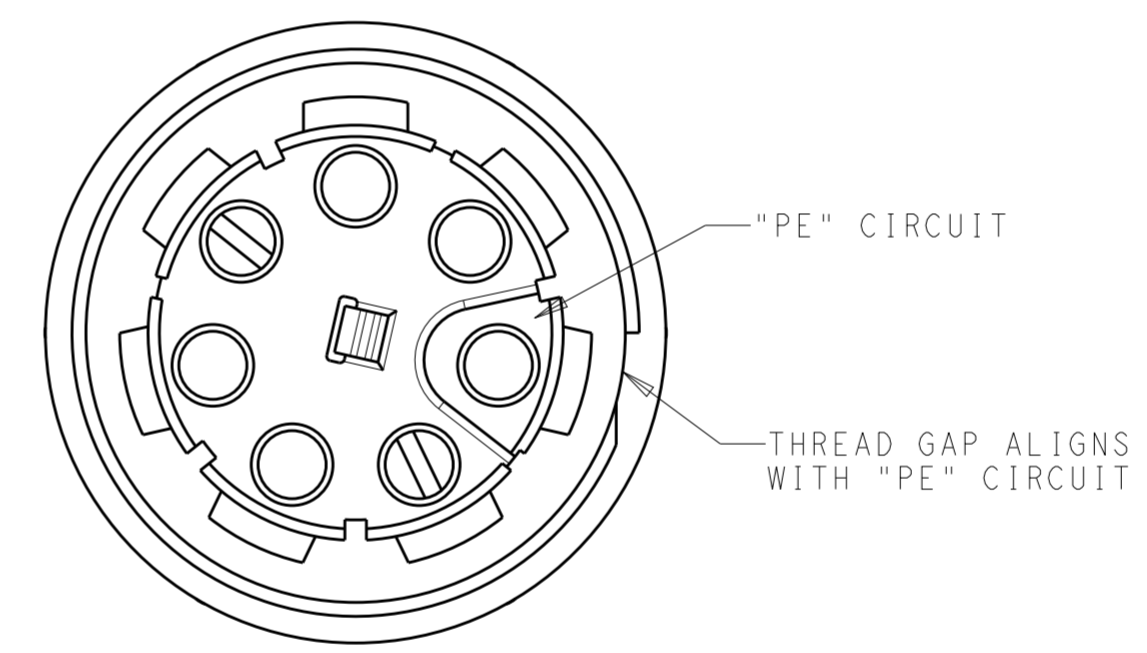
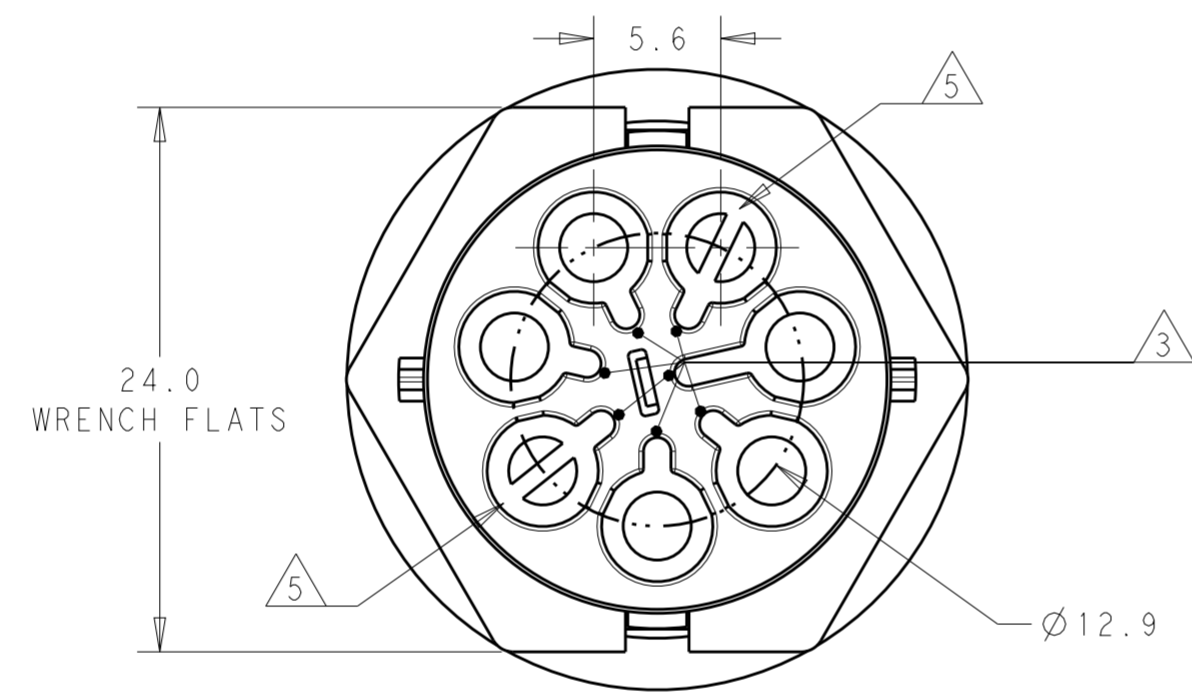


| REVISIONS |     |                           |           |       |
|-----------|-----|---------------------------|-----------|-------|
| P         | LTR | DESCRIPTION               | DATE      | APVD  |
| A         |     | REVISED PER ECR-15-008747 | 12JUN2015 | RS JL |
| A1        |     | ECR-18-006945             | 02JUL2018 | SR MZ |



- NOTES:
1. MATERIAL: GLASS FILLED PBT, COLOR: BLACK
  2. MUST COMPLY WITH DIRECTIVE 2002/95/EC (ROHS)
  3. ALL POLARIZATION KEYS SHOWN FOR REF ONLY.
  4. CIRCUIT I.D.
  5. CIRCUITS "L2" AND "L3" ARE BLOCKED TO PREVENT CONTACT INSTALLATION.
  6. TE PART NUMBER
  7. TE LOGO

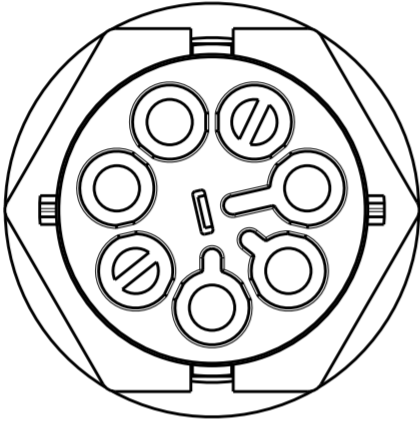
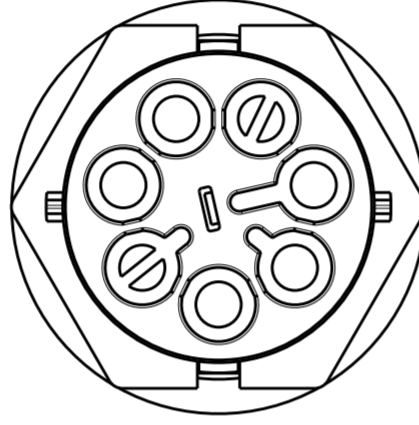
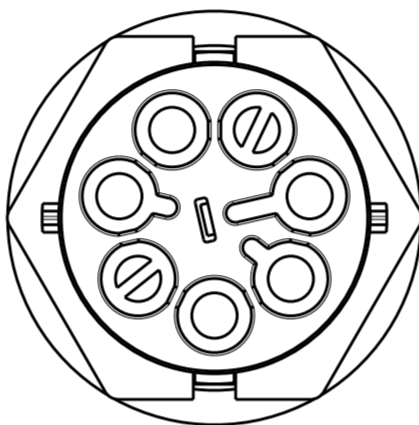
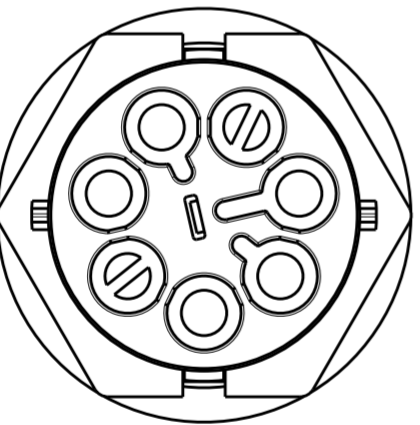
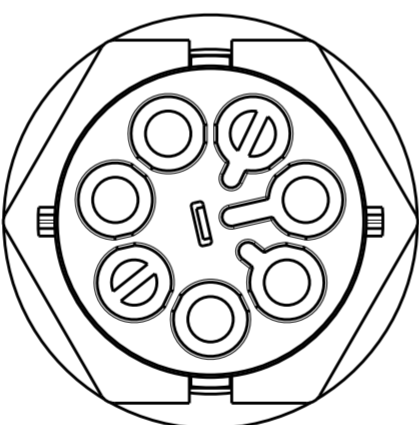



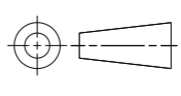
|          |                   |  |             |
|----------|-------------------|--|-------------|
| OBSOLETE | E                 | FREE HANGING PIN.<br>SEALED NECTOR M, 5 POSN | 2213228-5   |
|          | D                 | FREE HANGING PIN.<br>SEALED NECTOR M, 5 POSN | 2213228-4   |
|          | C                 | FREE HANGING PIN.<br>SEALED NECTOR M, 5 POSN | 2213228-3   |
|          | B                 | FREE HANGING PIN.<br>SEALED NECTOR M, 5 POSN | 2213228-2   |
|          | A                 | FREE HANGING PIN.<br>SEALED NECTOR M, 5 POSN | 2213228-1   |
|          | POLARIZATION TYPE | DESCRIPTION                                  | PART NUMBER |

|  |  |                                  |   |                |
|--|--|----------------------------------|---|----------------|
| THIS DRAWING IS A CONTROLLED DOCUMENT.   |  | DWN<br>J. SHAFFER<br>16 JAN 2014 | TE Connectivity   |                |
| DIMENSIONS: mm   |  | CHK<br>M. LUKSIC<br>16 JAN 2014  |   |                |
| TOLERANCES UNLESS OTHERWISE SPECIFIED:   |  | APVD<br>M. LUKSIC<br>16 JAN 2014 | NAME<br>FREE HANGING PIN HOUSING:<br>SEALED NECTOR M-LINE, 5 POSN |                |
| 0 PLC ±<br>1 PLC ±0.2<br>2 PLC ±0.13<br>3 PLC ±<br>4 PLC ±<br>ANGLES ±<br>FINISH ± |  | PRODUCT SPEC<br>108-133014       | RESTRICTED TO   |                |
| MATERIAL NOTE 1  |  | APPLICATION SPEC<br>114-32111    | SIZE<br>A2  | CAGE CODE<br>- |
|  |  | WEIGHT<br>-                      | DRAWING NO<br>G-2213228   | SCALE<br>1:1   |
|  |  | Customer Drawing                 | SHEET<br>1 OF 2   | REV<br>A1      |

THIS DRAWING IS UNPUBLISHED. RELEASED FOR PUBLICATION 20  
 © COPYRIGHT 20 BY - ALL RIGHTS RESERVED.

| REVISIONS |     |             |      |      |
|-----------|-----|-------------|------|------|
| P         | LTR | DESCRIPTION | DATE | APVD |
| -         |     | SEE SHEET 1 | -    | -    |
|           |     |             |      |      |
|           |     |             |      |      |

| POLARIZATION TYPES  |  |   |
|---|--|---|
| POLARIZATION TYPE "A"   | POLARIZATION TYPE "B"  | POLARIZATION TYPE "C"   |
|    |    |  |
| PN: 2213228-1   | <del>PN: 2213228-2</del>   | <del>PN: 2213228-3</del>  |
| POLARIZATION TYPE "D"   | POLARIZATION TYPE "E"  |   |
|  |  |   |
| <del>PN: 2213228-4</del>  | <del>PN: 2213228-5</del>   |   |

|   |  |                                  |   |                |
|---|--|----------------------------------|---|----------------|
| THIS DRAWING IS A CONTROLLED DOCUMENT.  |  | DWN<br>J. SHAFFER<br>16 JAN 2014 |  TE Connectivity |                |
| DIMENSIONS:<br>mm   |  | CHK<br>M. LUKSIC<br>16 JAN 2014  |   |                |
| TOLERANCES UNLESS OTHERWISE SPECIFIED:  |  | APVD<br>M. LUKSIC<br>16 JAN 2014 | NAME<br>FREE HANGING PIN HOUSING:<br>SEALED NECTOR M-LINE, 5 POSN                                     |                |
|  |  | PRODUCT SPEC<br>108-133014       | RESTRICTED TO   |                |
| MATERIAL<br>NOTE 1  |  | APPLICATION SPEC<br>114-32111    | SIZE<br>A2  | CAGE CODE<br>- |
| FINISH  |  | WEIGHT<br>-                      | DRAWING NO<br>C-2213228   | SCALE<br>1:1   |
|   |  | Customer Drawing                 | SHEET<br>2  | OF 2           |
|   |  |                                  | REV<br>A1   |                |