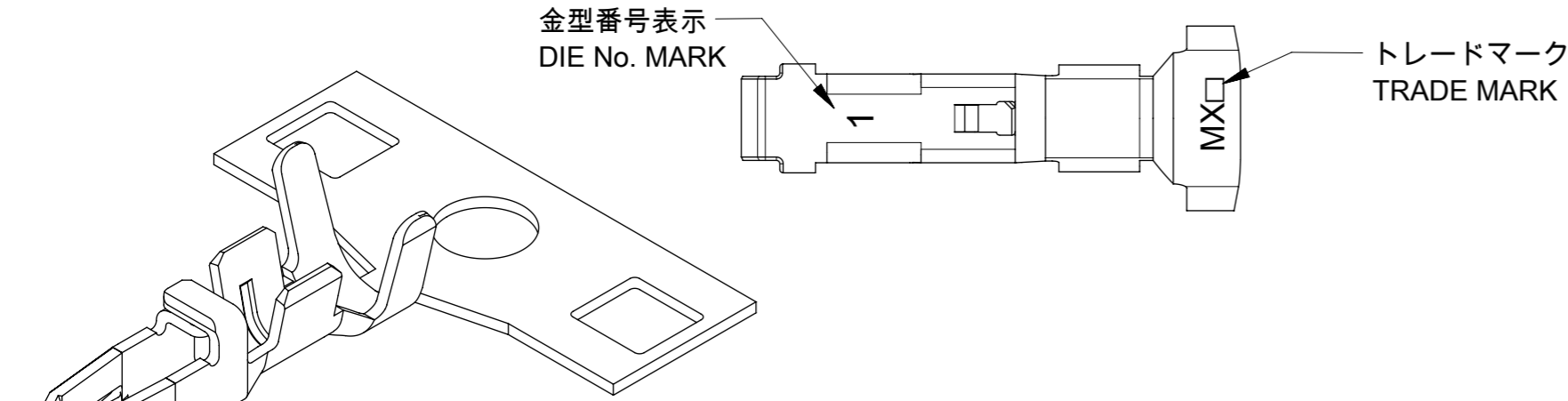
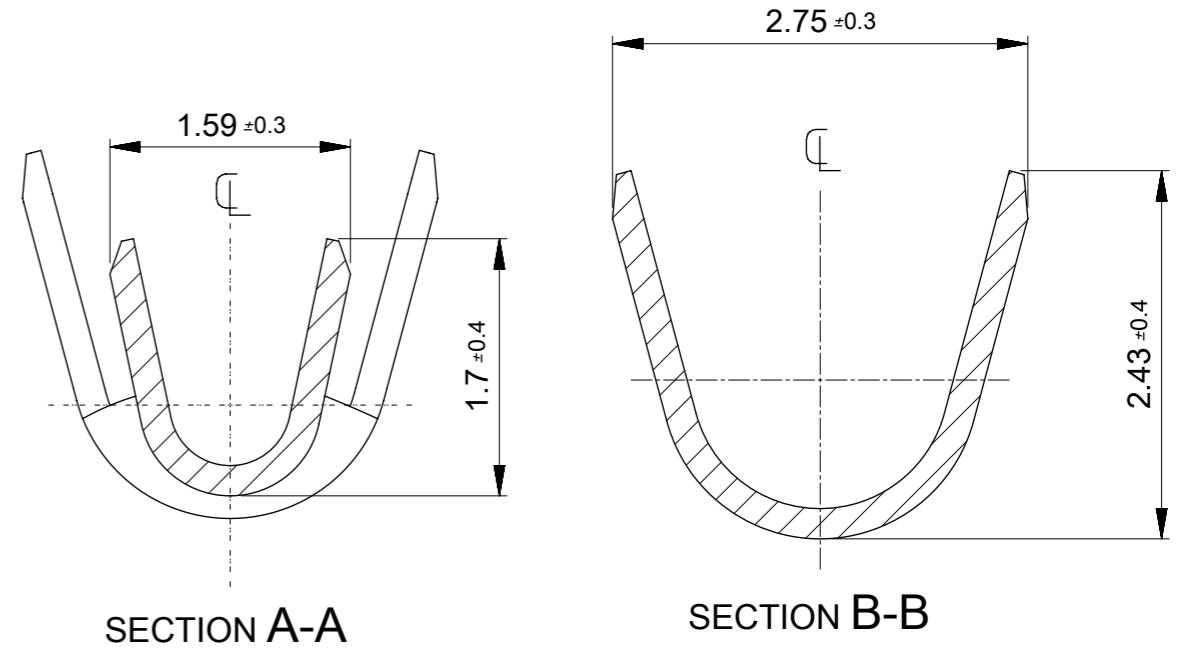
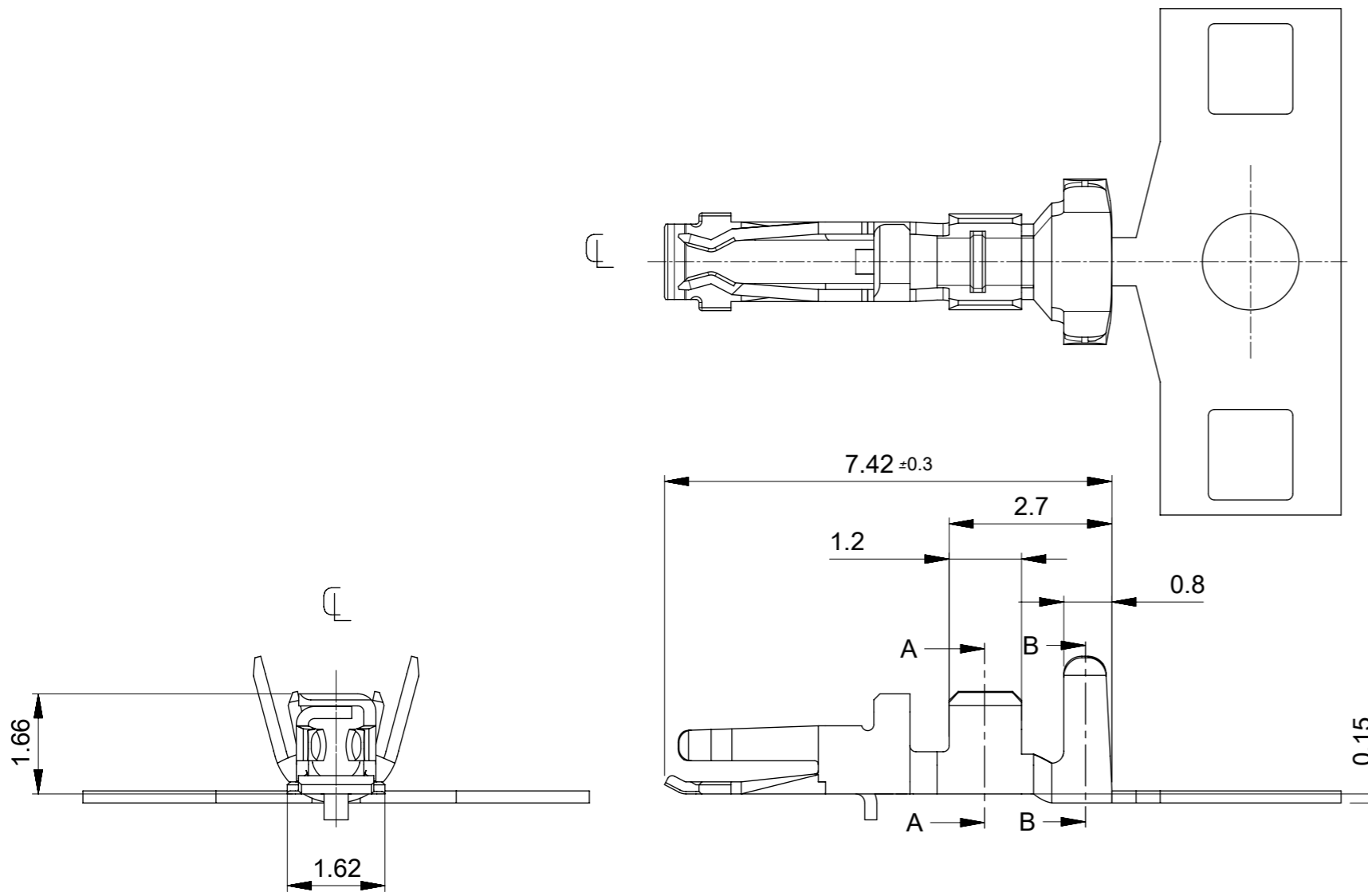


NOTE

- 適合ハウジング : 201196,201200シリーズ
APPCABLE HOUSING : 201196,201200SERIES.
- 圧着条件については、圧着仕様書(2011956000_PS_C00)を参照願います。
PLEASE REFER TO CRIMP SPECIFICATION (2011956000_PS_C00).
- 製品の取扱いについては、コネクタ取扱い説明書(2011960000_PS_A00)を参照願います。
PLEASE REFER TO INSTRUCTION MANUAL(2011960000_PS_A00).



201195 6000	連鎖状 CHAIN
オーダー番号 ORDER No.	端子形状 FORM

部品 PART	材質 MATERIAL
ターミナル TERMINAL	銅合金 錫めっき、リフロー処理(前めっき) : 0.7µm以上 COPPER ALLOY PRE-TIN PLATED(HEAT TREATED MATTE TIN): 0.7 micro-meter MIN.
適用電線範囲 WIRE RANGE	絶縁被覆外形 INSURATION RANGE
AWG:#22~#26	φ1.25 ~ φ1.6

QUALITY SYMBOLS		THIS DRAWING CONTAINS INFORMATION THAT IS PROPRIETARY TO MOLEX ELECTRONIC TECHNOLOGIES, LLC AND SHOULD NOT BE USED WITHOUT WRITTEN PERMISSION		DIMENSION UNITS		SCALE		 SPOT-ON 2.0 RECEPTACLE CRIMP TERMINAL PRODUCT CUSTOMER DRAWING	
▽A	= 0	EC NO: 119240 DRWN: MHAYASHI CHK'D: KOMURAKAMI APPR: TKANEKO	2017/07/07 2017/07/14 2017/07/24	GENERAL TOLERANCES (UNLESS SPECIFIED)		MM	10:1		
▽E	= 0			ANGULAR TOL ± 3.0 °		DRWN BY	DATE		
▽F	= 0			4 PLACES ± 0.2	3 PLACES ± 0.2	SNAKAMURA08	2016/11/29		
▽G	= 0			2 PLACES ± 0.2	1 PLACE ± 0.2	CHK'D BY	DATE		
▽H	= 0	DRAFT WHERE APPLICABLE MUST REMAIN WITHIN DIMENSIONS		KOMURAKAMI	2017/03/23	APPR BY	DATE	SERIES	
▽I	= 0			TKANEKO	2017/03/24	DRAWING SIZE		MATERIAL NUMBER	
▽J	= 0			A3		THIRD ANGLE PROJECTION		CUSTOMER	
▽K	= 0							201195	
▽L	= 0							SEE CHART	
▽M	= 0							DOCUMENT NUMBER	
▽N	= 0							2011956000	
▽O	= 0							DOC TYPE	
▽P	= 0							PSD	
▽Q	= 0							DOC PART	
▽R	= 0							000	
▽S	= 0							SHEET NUMBER	
▽T	= 0							1 OF 1	