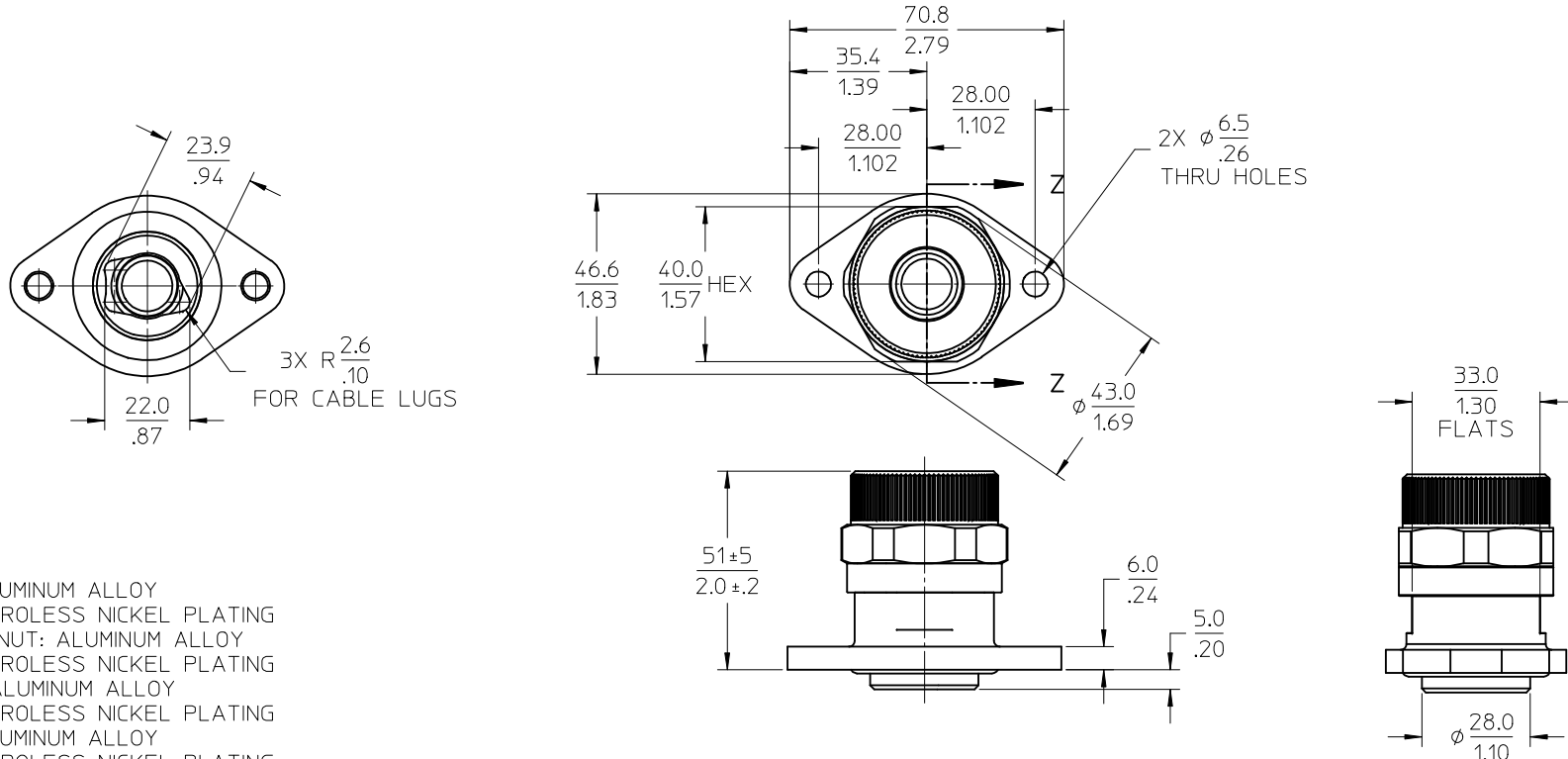


| 10 | 9 | 8 | 7 | 6 | 5 | 4 | 3 | 2 |
|--------------------------|-----------------------|----------|----------|----------|----------|----------|-------------------------|---|
| SINGLE ASSEMBLY PART NO. | KIT ASSEMBLY PART NO. | WIRE AWG | GROMMET | COLOR | O-RING | COLOR | CABLE SEALING RANGE | |
| 1301990030 | 1301990130 | 1 | HNBR | BLACK | HNBR | BLACK | 11.10/.437 - 14.27/.562 | |
| 1301990020 | 1301990120 | 1/0 | HNBR | BLACK | HNBR | BLACK | 14.27/.562 - 15.88/.625 | |
| 1301990025 | 1301990125 | 2/0 | HNBR | BLACK | HNBR | BLACK | 15.88/.625 - 17.45/.687 | |
| 1301990230 | 1301990330 | 1 | SILICONE | RUST RED | SILICONE | RUST RED | 11.10/.437 - 14.27/.562 | |
| 1301990220 | 1301990320 | 1/0 | SILICONE | RUST RED | SILICONE | RUST RED | 14.27/.562 - 15.88/.625 | |
| 1301990225 | 1301990325 | 2/0 | SILICONE | RUST RED | SILICONE | RUST RED | 15.88/.625 - 17.45/.687 | |

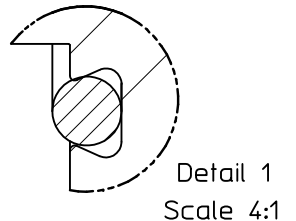
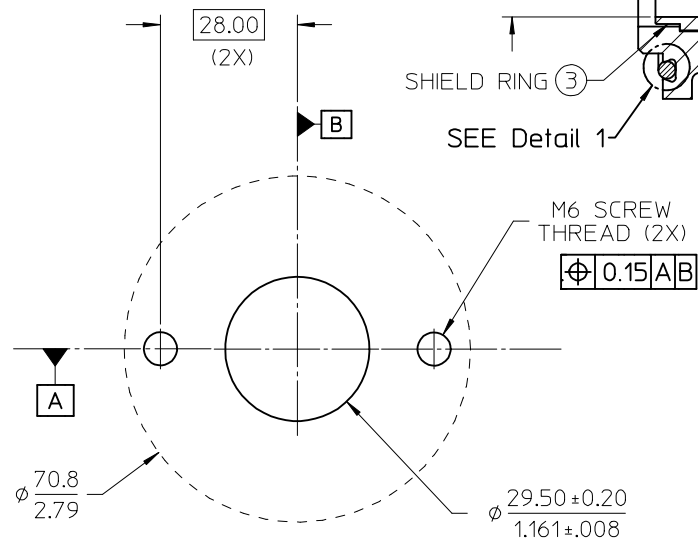
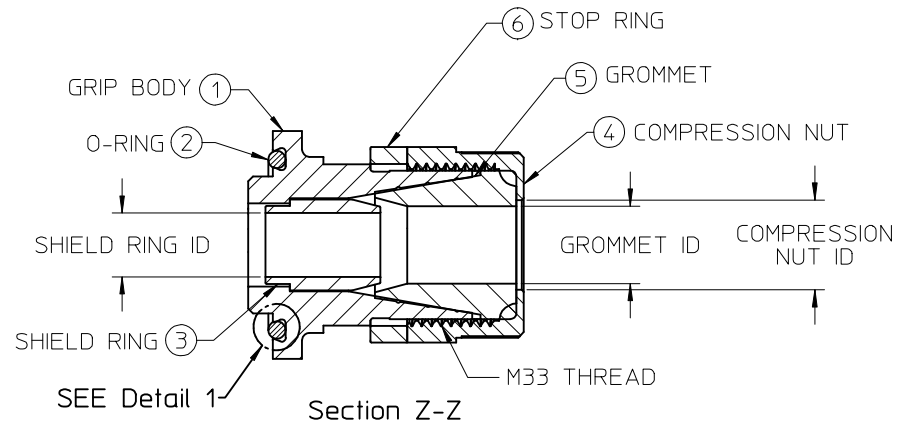


- NOTES:
- MATERIALS:
 - GRIP BODY: ALUMINUM ALLOY
 - FINISH: ELECTROLESS NICKEL PLATING
 - COMPRESSION NUT: ALUMINUM ALLOY
 - FINISH: ELECTROLESS NICKEL PLATING
 - SHIELD RING: ALUMINUM ALLOY
 - FINISH: ELECTROLESS NICKEL PLATING
 - STOP RING: ALUMINUM ALLOY
 - FINISH: ELECTROLESS NICKEL PLATING
 - GROMMET: SEE CHART
 - HNBR HARDNESS: SHORE 70A DUROMETER
 - SILICONE HARDNESS: SHORE 70A DUROMETER
 - O-RING: SEE CHART
 - HNBR HARDNESS: SHORE 90A DUROMETER
 - SILICONE HARDNESS: SHORE 70A DUROMETER
 - PRODUCT SPECIFICATION: PS-130199-001
 - PACKAGING SPECIFICATION: PK-130199-001
 - ASSEMBLY SPECIFICATION: AS-130199-001
 - ALL MATERIALS ARE ROHS COMPLIANT.

| | | | | | | | |
|---|-------------------------------|---|---------------------------------------|--------------------------------------|--|------------------------|--|
| UPDATE TOLS AND NOTES EC NO: IPG2016-0883 DRW:WLEUNG 2015/10/27 CHKD:GSUDHINI 2015/10/27 APPR:APATEL 2016/03/10 | QUALITY SYMBOLS ▽=0 ▽=0 | GENERAL TOLERANCES (UNLESS SPECIFIED) | DIMENSION STYLE MM/IN | SCALE 1:1.25 | DESIGN UNITS METRIC | THIRD ANGLE PROJECTION | |
| | | 4 PLACES ± --- ± --- 3 PLACES ± --- ± .015 2 PLACES ± 0.40 ± .03 1 PLACE ± 0.8 ± --- | DRAWN BY DATE WLEUNG 2011/11/18 | CHECKED BY DATE DTITUS 2012/01/13 | TITLE MAXLOC SHIELDED CORD GRIP ASSEMBLY 1AWG TO 2/0AWG | | |
| | | ANGULAR ± 3° | APPROVED BY DATE DTITUS 2012/01/13 | MOLEX INCORPORATED | | | |
| | | DRAFT WHERE APPLICABLE MUST REMAIN WITHIN DIMENSIONS | MATERIAL NO. SEE CHART | DOCUMENT NO. SD-130199-001 | SHEET NO. 1 OF 2 | | |

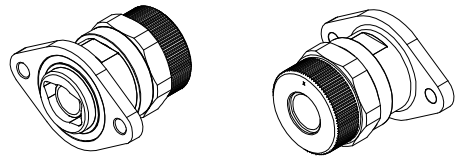
THIS DRAWING CONTAINS INFORMATION THAT IS PROPRIETARY TO MOLEX INCORPORATED AND SHOULD NOT BE USED WITHOUT WRITTEN PERMISSION

| ITEM NO. | DESCRIPTION |
|----------|---|
| 1 | GRIP BODY |
| 2 | O-RING, HNBR |
| | O-RING, SILICONE |
| 3 | SHIELD RING (1 AWG), 11.80/.465 ID |
| | SHIELD RING (1/0 AWG), 13.10/.516 ID |
| | SHIELD RING (2/0 AWG), 14.55/.573 ID |
| 4 | COMPRESSION NUT (1 AWG), 16.80/.662" ID |
| | COMPRESSION NUT (1/0 AWG), 18.40/.725" ID |
| | COMPRESSION NUT (2/0 AWG), 20.00/.787" ID |
| 5 | GROMMET, HNBR (1 AWG), 14.27/.562" ID |
| | GROMMET, HNBR (1/0 AWG), 15.88/.625" ID |
| | GROMMET, HNBR (2/0 AWG), 17.45/.687" ID |
| | GROMMET, SILICONE (1 AWG), 14.27/.562" ID |
| | GROMMET, SILICONE (1/0 AWG), 15.88/.625" ID |
| | GROMMET, SILICONE (2/0 AWG), 17.45/.687" ID |
| 6 | STOP RING, 7.5MM THICK |



SEAL SURFACE ZONE WITHIN $\phi 70.8$ AREA:
 SURFACE FINISH REQUIRED $\nabla 3.2$
 FLATNESS REQUIRED $\square 0.2$

RECOMMENDED PANEL MOUNT OPENING



ISOMETRIC VIEWS
 SCALE 1:2

| | | | | | | |
|--|---------------------------------------|---------------------------------------|---|-------------------|--------------|---|
| UPDATE ID DIMS & O-RING GROOVE EC NO: IP-GZ016-0883 DRAWN: WLEUNG 2015/10/27 CHKD: GSUBHINI 2015/10/27 APPR: APATEL 2016/03/10 | QUALITY SYMBOLS | GENERAL TOLERANCES (UNLESS SPECIFIED) | DIMENSION STYLE | SCALE | DESIGN UNITS | THIRD ANGLE PROJECTION |
| | $\nabla = 0$ $\sphericalangle = 0$ | mm | MM/IN | 1:1 | METRIC | MAXLOC SHIELDED CORD GRIP ASSEMBLY 1AWG TO 2/0AWG MOLEX INCORPORATED SD-130199-001 |
| | | 4 PLACES ± --- ± --- | INCH | DRAWN BY DATE | | |
| | | 3 PLACES ± --- ± .015 | | WLEUNG 2011/11/18 | TITLE | |
| | 2 PLACES ± 0.40 ± .03 | | CHECKED BY DATE | | | |
| | 1 PLACE ± 0.8 ± --- | | DTITUS 2012/01/13 | | | |
| | ANGULAR ± 3° | | APPROVED BY DATE | | | |
| | | | DTITUS 2012/01/13 | | | |
| | | | MATERIAL NO. | | | |
| | | | SIZE B | | | |
| | | | DRAFT WHERE APPLICABLE MUST REMAIN WITHIN DIMENSIONS | | | |
| | | | THIS DRAWING CONTAINS INFORMATION THAT IS PROPRIETARY TO MOLEX INCORPORATED AND SHOULD NOT BE USED WITHOUT WRITTEN PERMISSION | | | |