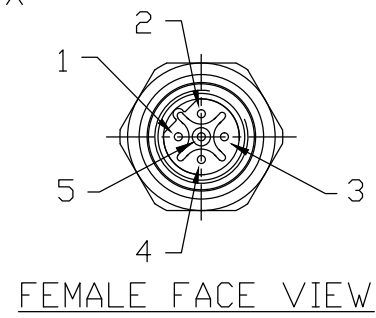
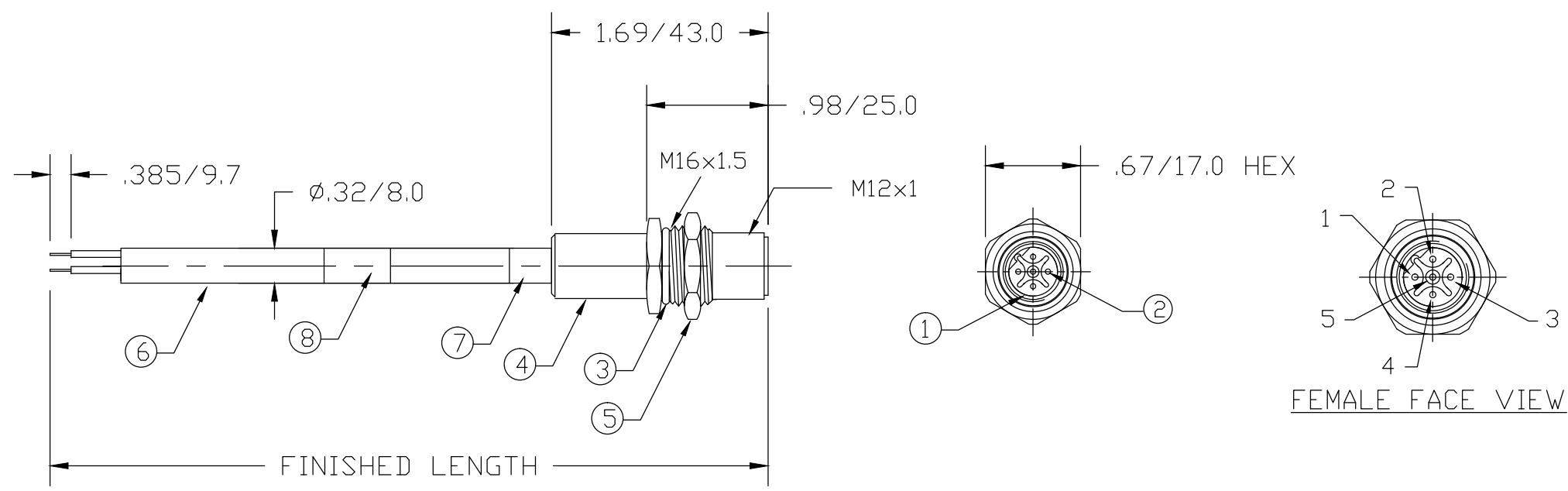
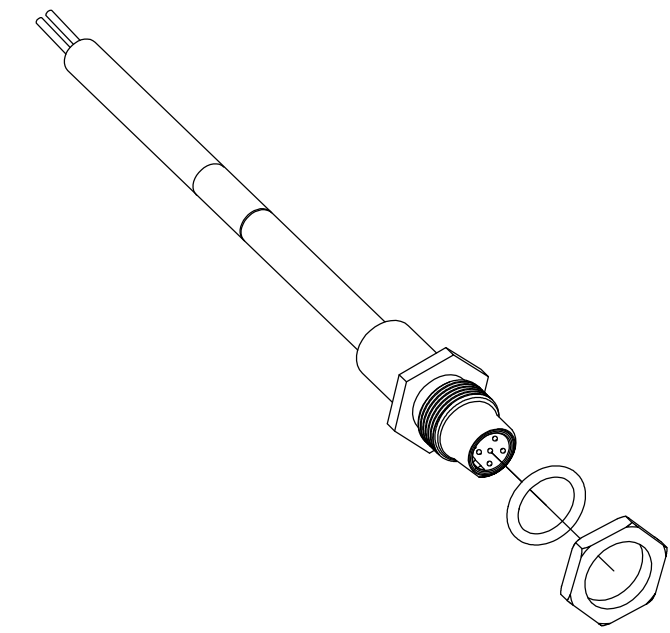


MATERIAL NUMBER	OLD PART NUMBER	FINISHED LENGTH
120099-0005	BR5U70PP4M0103	3.28' +2.19" -0 [1.0M +55.6mm -0]
120099-0007	BR5U70PP4M0203	6.56' +3.50" -0 [2.0M +88.9mm -0]
120099-0008	BR5U70PP4M0303	9.84' +3.50" -0 [3.0M +88.9mm -0]
120099-0009	BR5U70PP4M0403	13.12' +6.50" -0 [4.0M +165.1mm -0]
120099-0010	BR5U70PP4M0503	16.40' +6.50" -0 [5.0M +165.1mm -0]
120099-0020	BR5U70PP4M0033	11.81' +.75" -0 [0.3M +19.0mm -0]

- (B) NOTES:
1. MATERIAL: SEE TABLE
 2. FINISH: SEE TABLE
 3. ELECTRICAL:
VOLTAGE: 250VAC
CURRENT: 4A
 4. TEMP RATING: -20° TO +80°C
 5. PROTECTION: IP67 (WHEN MATED)
 6. ALL DIMS ARE FOR REFERENCE UNLESS NOTED OTHERWISE



1	NOT CONNECTED
2	GREEN (LINE A)
3	NOT CONNECTED
4	RED (LINE B)
5	DRAIN WIRE

WIRING DIAGRAM

TABLE

ITEM	COMPONENT	MATERIAL	FINISH
1	INSERT	NYLON	BLACK
2	CONTACT SOCKET	COPPER ALLOY	GOLD OVER NICKEL
3	O-RING	NITRILE	BLACK
4	RECEPTACLE SHELL	BRASS	NICKEL PLATED
5	LOCKNUT	BRASS	NICKEL PLATED
6	CONDUCTOR- 24 AWG, (.22mm) COPPER STRANDING TWISTED PAIR SHIELD WITH BRAID	PUR	PURPLE
7	HEAT SHRINK TUBING	POLYOLEFIN	BLACK
8	LABEL	MYLAR	BLACK/YELLOW

ADD 0.3MPIN TO TABLE, & NOTES EC NO: IPG2017-0531 DRWN: RSTONE 11/23/16 CHKD: M ZIELIN 2016/11/28 APPR: BWOODMAN 009/08/28	QUALITY SYMBOLS ▽=0 ▽C=0	GENERAL TOLERANCES (UNLESS SPECIFIED)		DIMENSION STYLE		SCALE	DESIGN UNITS	THIRD ANGLE PROJECTION 	
				IN/MM		---	INCH		
				mm	INCH	DRAWN BY	DATE		TITLE
				ANGULAR ±---°		BW	2009/08/27		MICRO-CHANGE RECEPTACLE 5P FEMALE PROFIBUS M16 MOUNTING THREADS
		DRAFT WHERE APPLICABLE MUST REMAIN WITHIN DIMENSIONS		CHECKED BY	DATE	MOLEX INCORPORATED			
				LH	2009/08/27	SD-120099-002			
				APPROVED BY	DATE	SHEET NO.			
				JFMURPHY	2009/08/28	1 OF 1			
				MATERIAL NO.	THIS DRAWING CONTAINS INFORMATION THAT IS PROPRIETARY TO MOLEX INCORPORATED AND SHOULD NOT BE USED WITHOUT WRITTEN PERMISSION				
				SEE CHART					
				SIZE					
				B					