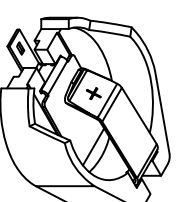
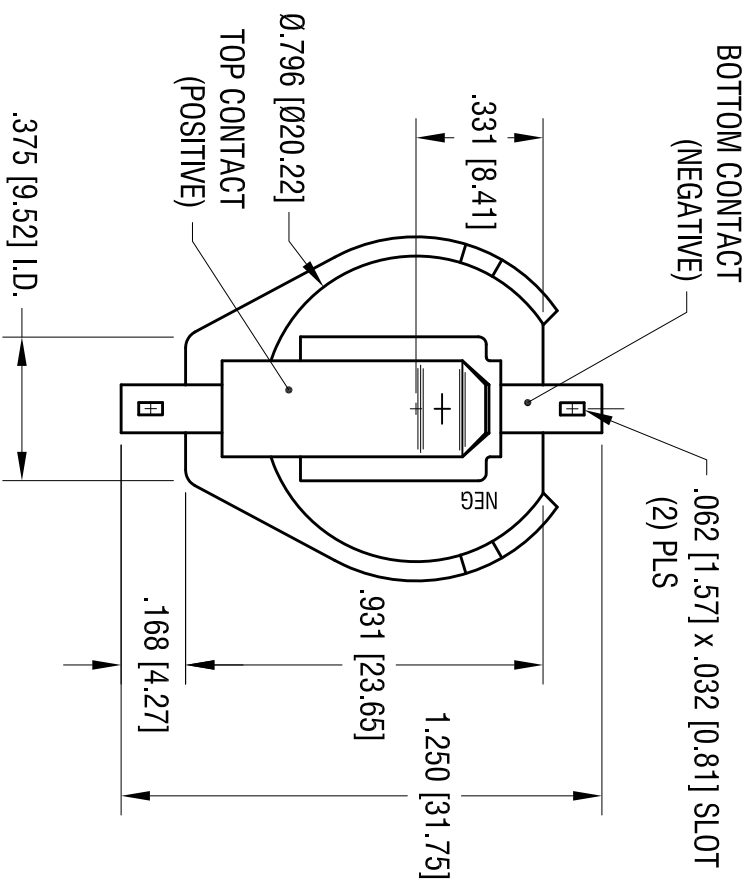
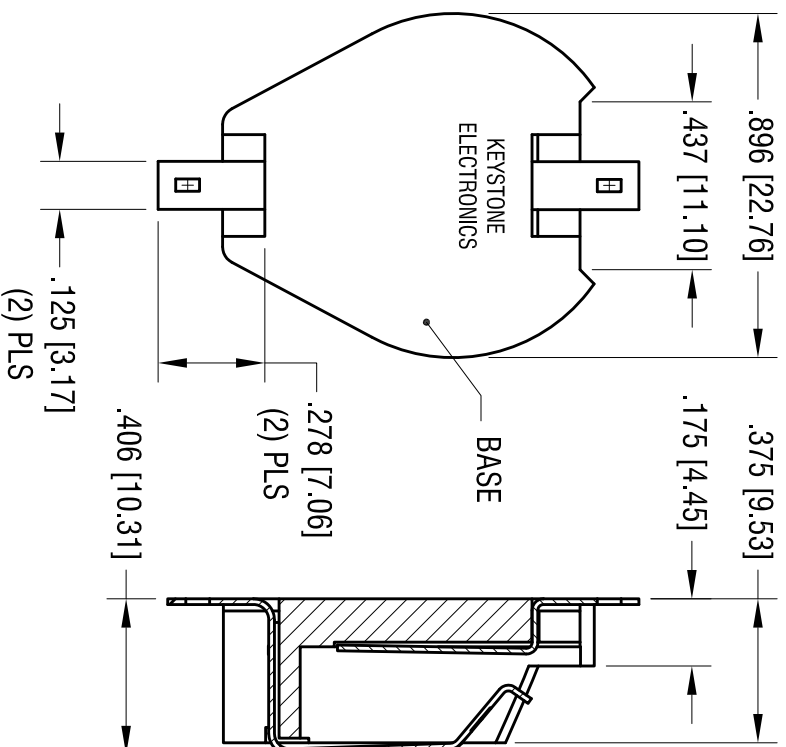
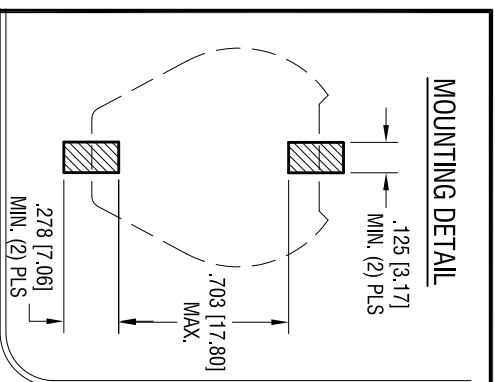


DATE	DESCRIPTION	REV.
9.17.04	CHANGE AS PER ECN 04-107	B
11.04.11	CHANGE AS PER ECN 11-149	C
3.20.19	CHANGE AS PER ECN19-038	D



ACTUAL SIZE

THIS DOCUMENT IS THE PROPERTY OF KEYSTONE ELECTRONICS CORP. AND SHALL NOT BE REPRODUCED, DISTRIBUTED OR USED AS A BASIS FOR MANUFACTURE WITHOUT PRIOR WRITTEN PERMISSION FROM KEYSTONE ELECTRONICS CORP.

KEYSTONE ELECTRONICS CORP.

www.keystelco.com • NEW HYDE PARK, NY 11040 • Tel (516) 328-7500

PART NAME

DUAL 20mm BATTERY HOLDER, SMT

MATERIAL

AS NOTED

FINISH

AS NOTED

TOLERANCES	INCH	[MM]	CODE
DECIMAL	± .010	[± 0.25]	C
ANGULAR	± 1°		

DRN BY	DATE
BOONE	8.09.95
APP'D	SCALE
LN	2X
DWG NO.	1064

NOTES:

1. BASE:
MATERIAL - HIGH TEMPERATURE NYLON (UL 94V-0)
COLOR BLACK
2. CONTACTS (TOP AND BOTTOM):
MATERIAL - .015 [0.38] THK SPRING STEEL
FINISH: TIN NICKEL PLATE